



**DESCRIPTION**

Providing one-for-one replacement of 250 Watt metal halide fixtures and 6 or 8 lamp fluorescent fixtures, this LED high bay features rotatable panels that allow you to direct the light output in the direction needed.

**FEATURES**

- Up to 133 LPW ultra-high efficiency delivers superior performance over older HID high bays
- LED panels rotate individually 135-degrees outwards
- 0-10V dimming; see Compatible Dimmers section for a full list of compatible dimmers.
- Optional motion sensor and remote control; see Accessories section for more information

**LISTINGS**

- UL rated for damp locations
- IP20
- DesignLights Consortium® 5.1 Premium - meets the requirements for the highest DLC qualification for efficacy and lumen maintenance; DLC PN: PLTSN4B6213

**PERFORMANCE**

- CRI: >80
- CCT: 5000K
- Rated lifetime L70: 50,000
- Philips Lumileds SMD LEDs

**THERMAL**

- -22°F to 122°F (-30°C to 50°C) operating temperature

**ELECTRICAL**

- THD: ≤20%
- Power Factor: ≥0.9
- Input Voltage: 120-277V
- Surge Protection: 6kV
- Dimmable power supply (0-10V)

**INSTALLATION**

- Designed for suspended mounting with V-hooks and 3.28-foot chain included; see installation instructions for more information
- S/MH (C0/C180): 1.28
- S/MH (C90/C270): 1.28

**CONSTRUCTION**

- Iron housing with white finish
- PC matte lens protects LEDs while evenly distributing light

Project name	Type
Catalog number	
Comments	Voltage
Approved by	Date



**WARRANTY**

- 5-year limited warranty; see [pltsolutions.com](http://pltsolutions.com) for warranty details

**APPLICATIONS**

- Warehouses
- Manufacturing Plants
- Distribution Centers
- Grocery Stores
- Gymnasiums
- Indoor Recreational Facilities
- Cold Storage
- Big Box Retail
- Service Repair Centers

## PERFORMANCE SUMMARY

Item #	Model	Watts	Lumens	LPW	CCT	CRI	Dimming	Voltage	Replaces	DLC #	DLC Level
PLT-13125	Linear	110W	14,686	133	5000K	>80	0-10V	120-277V	MH250	PLTSN4B6213	5.1 Premium

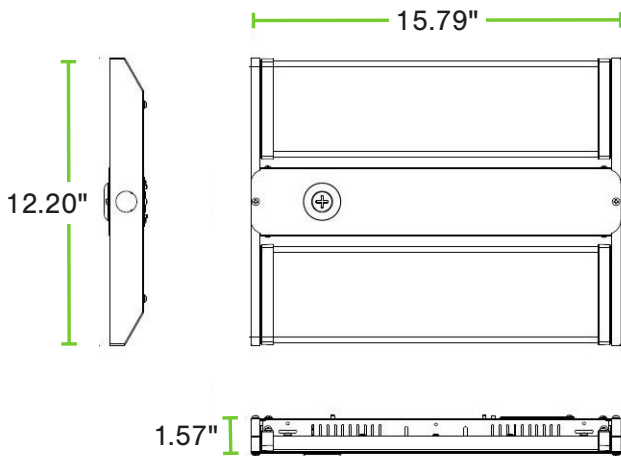
## ACCESSORIES

SKU	Description
PLT-12844	High Bay Occupancy Sensor and Photocell - Microwave - White - Screw-in Connector - 12 Volt
PLT-13121	High Bay Occupancy Sensor and Photocell - Passive Infrared (PIR) - White - Screw-In Connector - 12 Volt
PLTS-12281	Motion Sensor Remote

## COMPATIBLE DIMMERS

Brand	Model #
LUTRON	NTSTV-DV
LEVITON	DS710-10Z / IP710
LEGRAND	RH4FBL3PW

## DIMENSIONS



### DIMENSIONS:

Length: 15.79"

Height: 1.57"

Width: 12.20"

Weight: 4.52 lb

## PHOTOMETRICS

Luminous Intensity Distribution Curve

