



## **⚠ WARNING**

- Before installing, servicing, or performing routine maintenance upon this equipment, follow these general precautions.
- To reduce the risk of death, personal injury, or property damage from fire, electric shock, falling parts, cuts/abrasions, and other hazards, read all warnings and instructions included with and on the fixture box and all fixture labels.
- Proper grounding is required to ensure safety.
- Power must be turned off at the breaker before installation or maintenance.
- Installation, service, and maintenance of luminaires should be performed by a qualified licensed electrician.
- Wear gloves and eye protection at all times while installing, servicing, or performing maintenance on the luminaire, and avoid direct eye exposure to the light source while it is on.
- Do not install damaged product. Inspect luminaire for damage that may have occurred during transit. If damaged, contact the manufacturer immediately.
- These instructions do not purport to cover all details or variations in equipment nor to provide every possible contingency to meet in connection with installation, operation, or maintenance. Should further information be desired or should particular problems arise which are not covered sufficiently for the purchaser's or owner's purposes, contact the manufacturer.

## **⚠ ADVERTENCIA**

- Antes de instalar, reparar o realizar el mantenimiento de rutina de este equipo, siga estas precauciones generales.
- Para reducir el riesgo de muerte, lesiones personales o daños a la propiedad por fuego, descarga eléctrica, caída de piezas, cortes / abrasiones y otros peligros, lea todas las advertencias y instrucciones incluidas con y en la caja del dispositivo y todas las etiquetas del dispositivo.
- Se requiere una conexión a tierra adecuada para garantizar la seguridad.
- Se debe apagar la energía en el disyuntor antes de la instalación o el mantenimiento.
- La instalación, el servicio y el mantenimiento de las luminarias deben ser realizados por un electricista autorizado y calificado.
- Utilice guantes y protección para los ojos en todo momento durante la instalación, el servicio o el mantenimiento de la luminaria, y evite la exposición directa de los ojos a la fuente de luz mientras está encendida.
- No instale un producto dañado. Inspeccione la luminaria en busca de daños que puedan haber ocurrido durante el tránsito. Si está dañado, comuníquese con el fabricante de inmediato.
- Estas instrucciones no pretenden cubrir todos los detalles o variaciones en el equipo ni proporcionar todas las posibles contingencias a cumplir en relación con la instalación, operación o mantenimiento. Si desea obtener más información o si surgen problemas particulares que no están suficientemente cubiertos para los propósitos del comprador o propietario, comuníquese con el fabricante.

## **⚠ AVERTISSEMENT**

- Avant d'installer, d'entretenir ou d'effectuer une maintenance de routine sur cet équipement, suivez ces précautions générales.



## LED AREA LIGHT SAFETY AND INSTALLATION INSTRUCTIONS

- Pour réduire le risque de décès, de blessures corporelles ou de dommages matériels dus à un incendie, un choc électrique, des chutes de pièces, des coupures/abrasions et d'autres dangers, lisez tous les avertissements et instructions inclus avec et sur la boîte du luminaire et toutes les étiquettes des luminaires.
- Une mise à la terre appropriée est requise pour assurer la sécurité.
- L'alimentation doit être coupée au niveau du disjoncteur avant l'installation ou l'entretien.
- L'installation, l'entretien et la maintenance des luminaires doivent être effectués par un électricien qualifié et agréé.
- Portez des gants et des lunettes de protection à tout moment lors de l'installation, de l'entretien ou de la maintenance du luminaire, et évitez l'exposition directe des yeux à la source lumineuse lorsqu'elle est allumée.
- N'installez pas de produit endommagé. Inspectez le luminaire pour les dommages qui ont pu se produire pendant le transport. S'il est endommagé, contactez immédiatement le fabricant.
- Ces instructions ne prétendent pas couvrir tous les détails ou variations de l'équipement ni fournir toutes les éventualités possibles à rencontrer en rapport avec l'installation, l'exploitation ou la maintenance. Si des informations supplémentaires sont souhaitées ou si des problèmes particuliers surviennent qui ne sont pas suffisamment couverts pour les besoins de l'acheteur ou du propriétaire, contactez le fabricant.

### CAUTION

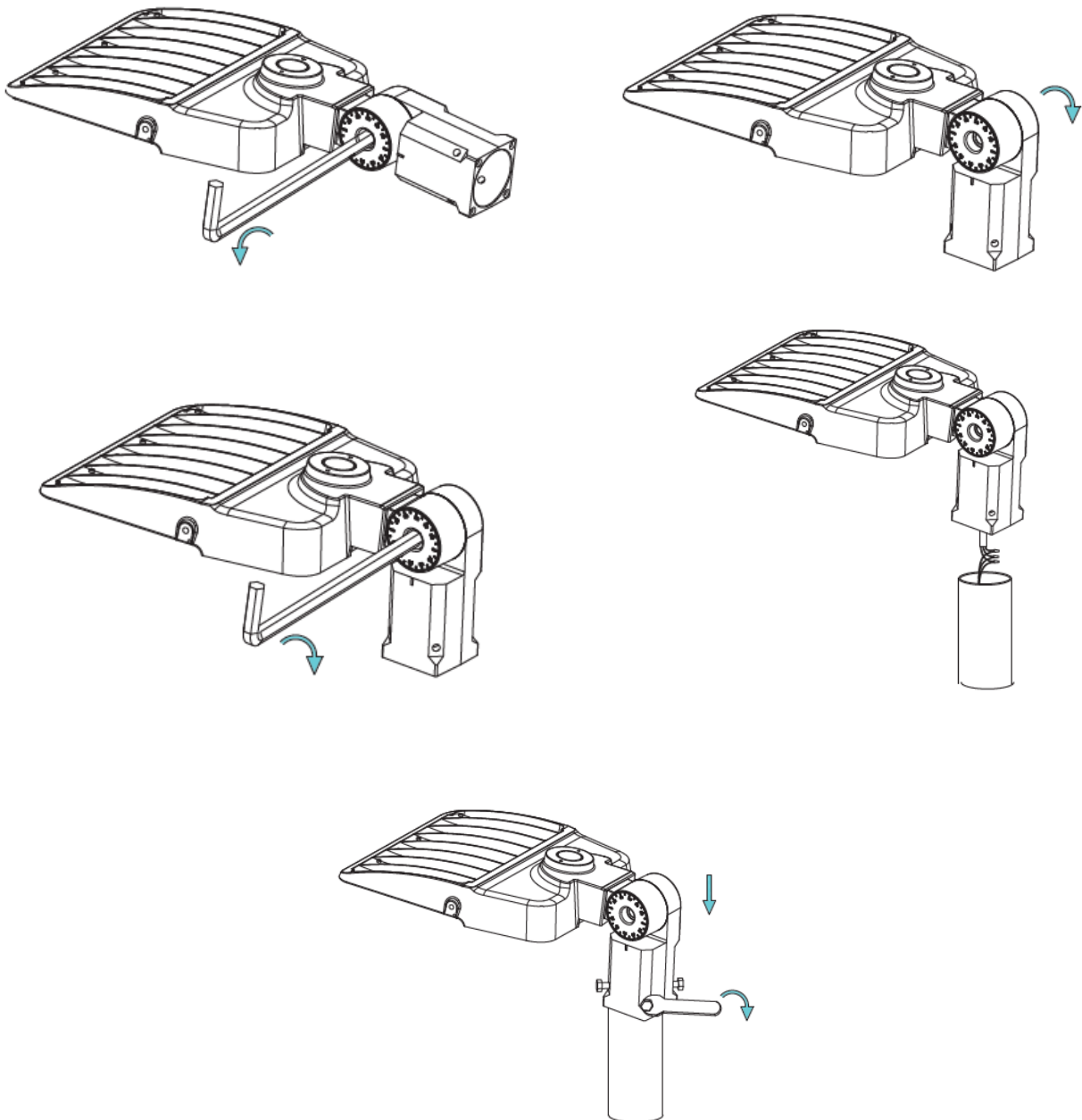
- Correctly identify the supply voltage before wiring this product. Wire the product properly according to the identified supply voltage.
- Disconnect the product and allow cooling prior to servicing.
- Any alteration or modification of this product is forbidden as it may cause personal injury, death, property damage and/or product malfunction.
- To prevent product malfunction and/or electrical shock, this product must be properly grounded.
- This product requires minimum 75°C supply conductors.



## Installation Instructions

### Slip-fitter – suitable for maximum pole size of 2-3/8”

- Unscrew and remove the plug by Hex-wrench.
- Swivel the mount onto the right angle.
- Screw the plug by Hex-wrench and fasten it.
- Connect the wires appropriately. Cap any unused wires.
- Connect the mount with light pole, and screw down by Hex-wrench.

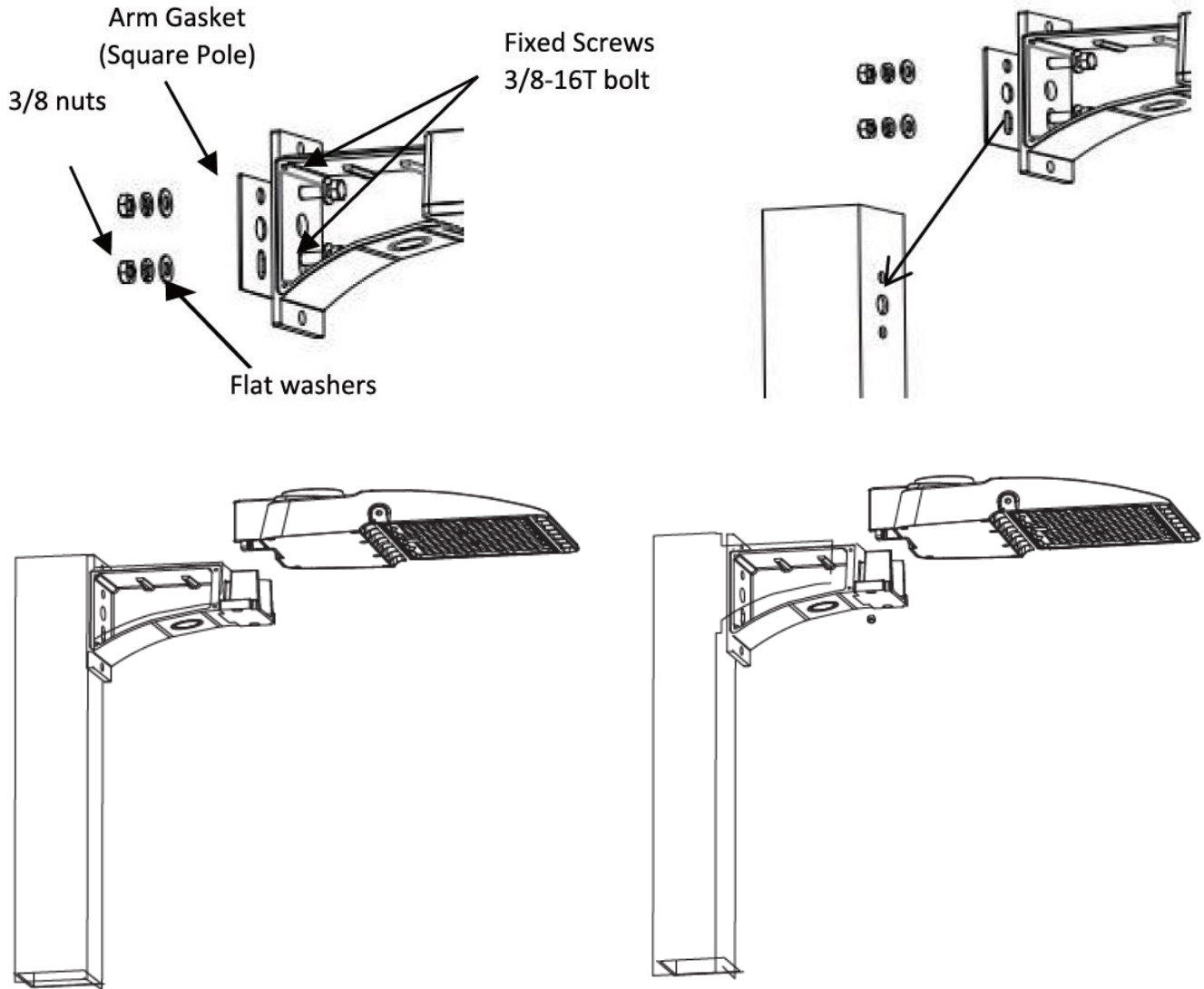




**Round Pole – suitable for 4" to 6" pole**

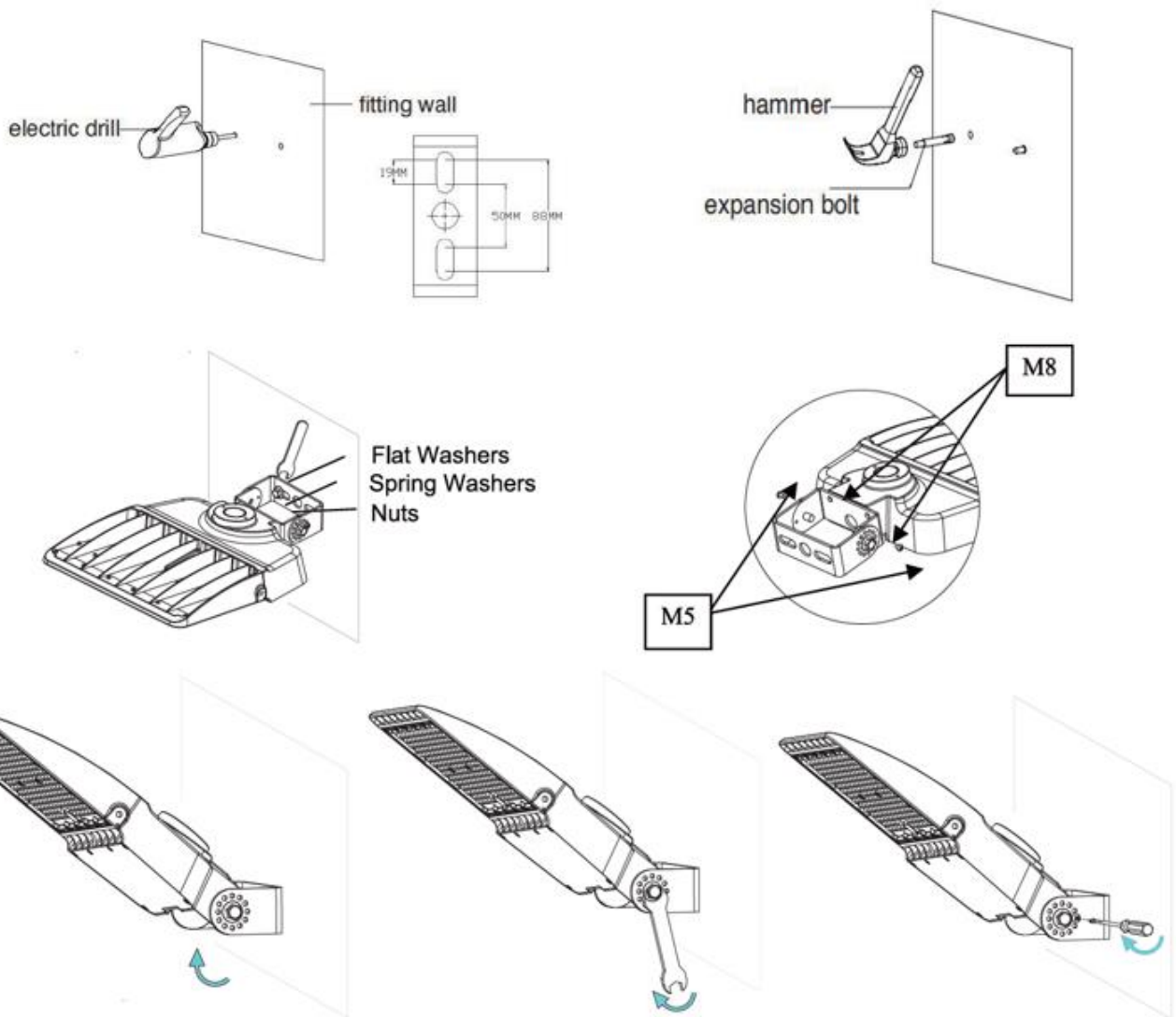
**Straight Pole – suitable for 3"x 3" or larger pole**

- Loosen the (2) fixed screws (3/8-16T bolt with flat washers) from the mounting.
- Align the (2) fixed screw holes from the mounting to the pole. Tighten the screws.
- Slide the fixture in the round/straight pole mount.
- Connect the wires appropriately through the wire-hole. Cap any unused wires.
- Tighten (2) fixed screws of mounting arm.



### Trunnion Mount

- Measure and mark the locations of the screw holes on the wall as shown in the first image below, then drill the mounting holes using an electric drill.
- Hammer expansion bolts into the mounting holes, leaving the threads exposed.
- Mount the area light to the expansion bolts. Add flat washers, spring washers and nuts in sequence to the expansion bolts and tighten the nuts using a wrench as shown in the third image below.
- Loosen (2) M8 trunnion bolts and (2) M5 positioning screws. Adjust the trunnion to suitable position.
- Swivel the luminaire until (2) M5 positioning screws are in one of the positioning holes and tighten the hex nut.
- Tighten the (2) M8 trunnion bolts with a wrench as shown in the sixth image below. Swivel the mount to the desired angle.
- Tighten the (2) M5 trunnion bolts with a screwdriver.

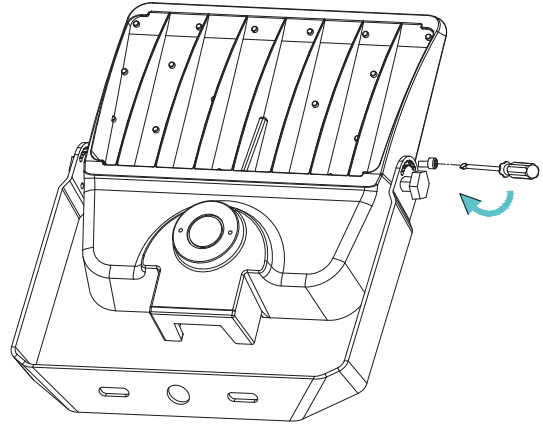
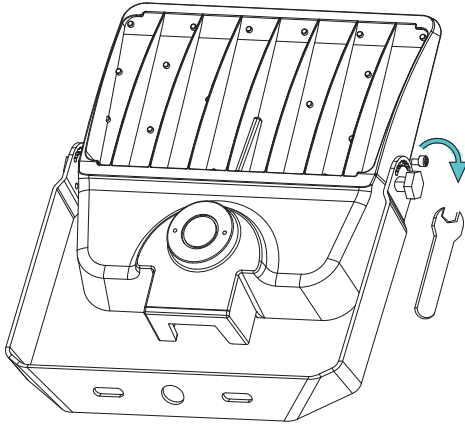


### U-Bracket



# LED AREA LIGHT SAFETY AND INSTALLATION INSTRUCTIONS

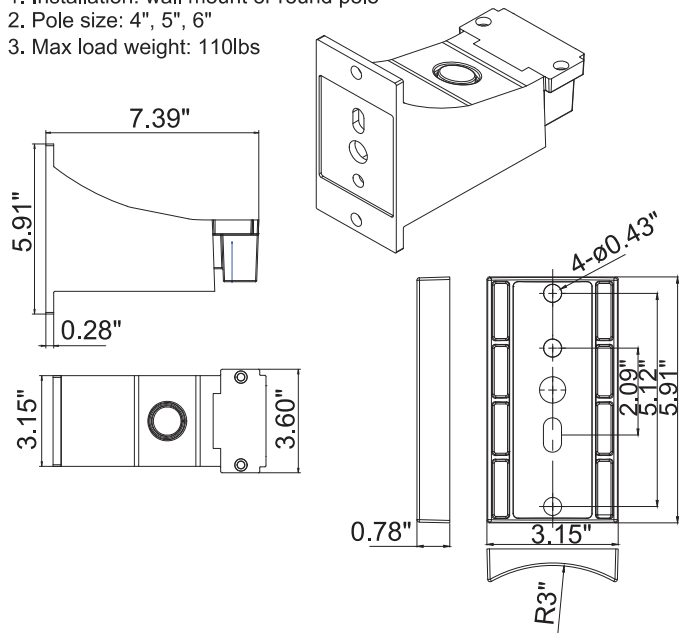
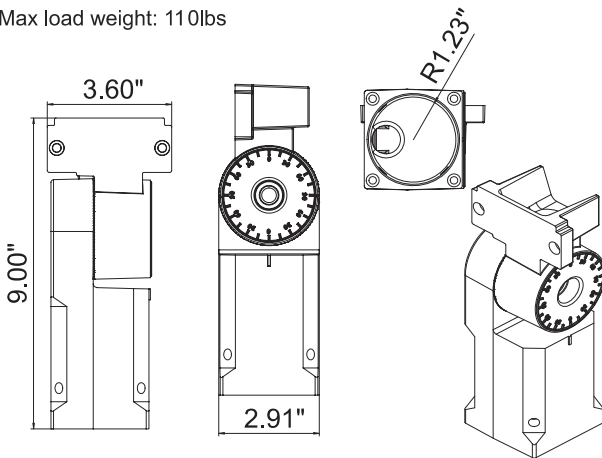
- Loosen the (2) M5 screws and the (2) M10 (100W-150W product) or the (2) M12 (220W-300W product) screws.
- Adjust the fixture to required angle and tighten the (2) M5 positioning screws on one side.
- Tighten the (2) M5 screws and the (2) M10 (100W-150W product) or the (2) M12 (220W-300W product) screws on the other side.
- Tighten the 2x M12 (220W-300W) or 2x M10 (100W-150W) screws and 2x M5 positioning screws on the other side.



## Mounting Arm Specifications

1. Installation angle: 0-90°
2. Max pole size: 2-3/8"
3. Each rotation is 4°
4. Max load weight: 110lbs

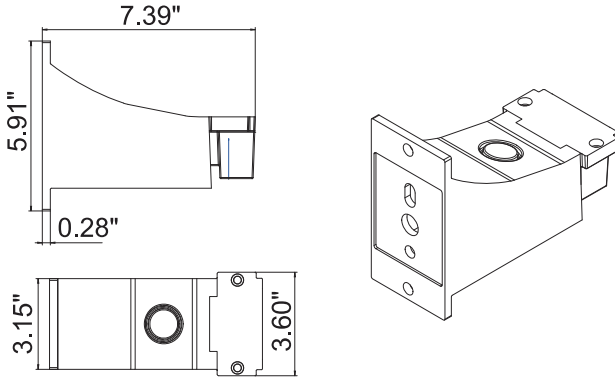
1. Installation: wall mount or round pole
2. Pole size: 4", 5", 6"
3. Max load weight: 110lbs



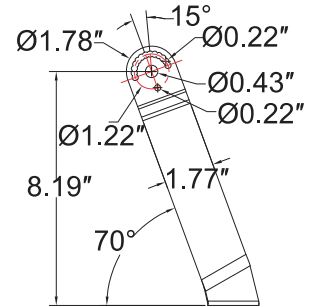
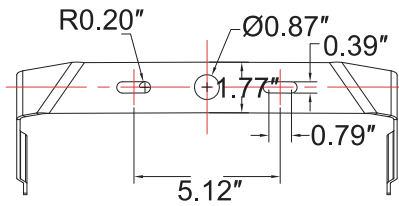
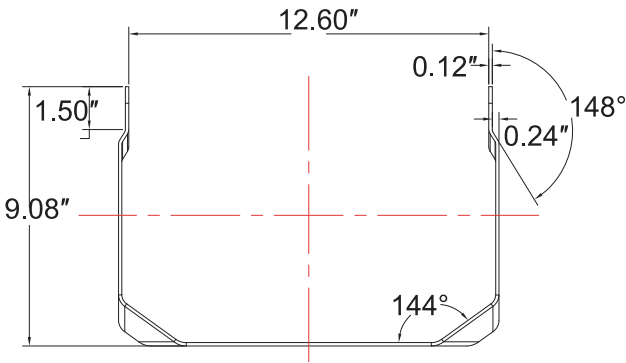
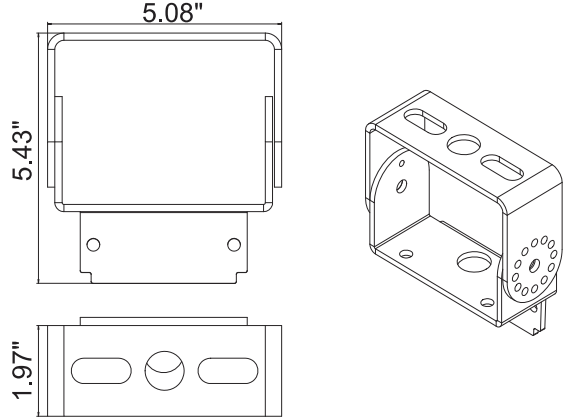


# LED AREA LIGHT SAFETY AND INSTALLATION INSTRUCTIONS

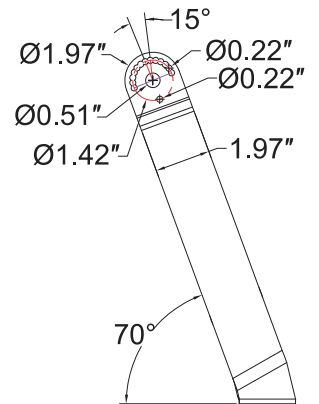
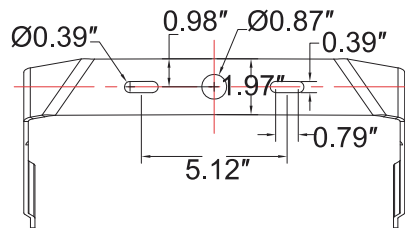
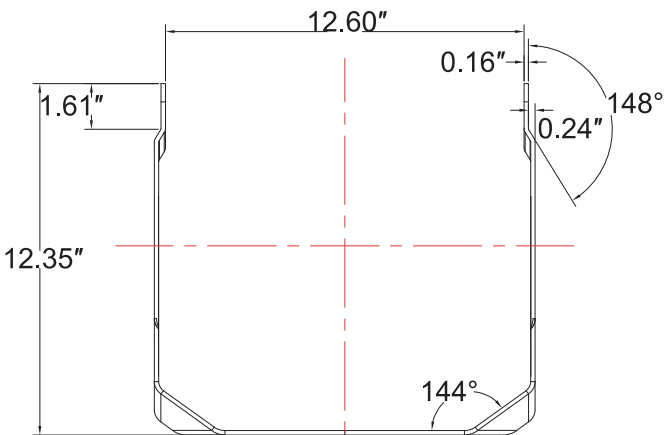
1. Installation: wall mount or square pole
2. Pole size: 3x3" or larger
3. Max load weight: 110lbs



1. Installation angle: 0-180°
2. Max pole size: 2-3/8"
3. Each rotation is 30°
4. Max load weight: 110lbs



For 100W/150W area light



For 220W/300W area light



## Wiring Diagrams

- For 277V, connect the Black luminaire lead to the voltage supply and connect the White luminaire lead to the neutral supply.
- For 480V, connect the Black luminaire lead to Hot 1 and connect the White luminaire lead to Hot 2.
- Connect the Green luminaire lead to ground.
- For dimming, connect the purple luminaire lead to the supply dimming positive lead and the pink luminaire lead to the supply dimming negative lead
- If dimming is not being used, cap of the purple and pink leads

