



# 12-inch Round Plastic Slim Surface Mount - Tunable CCT

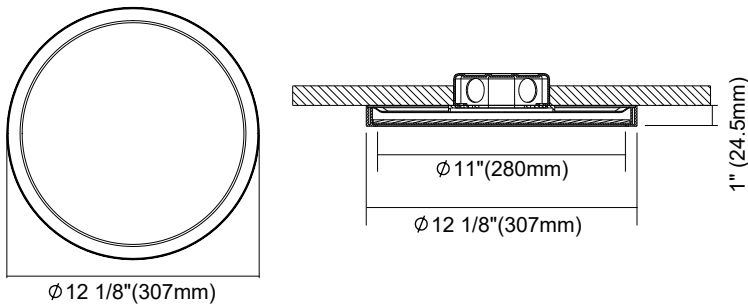


## Features

- Edge-lit technology, no glare or dark spots, instant-on
- This 1" thick luminaire is easy to install on standard J-boxes with a quick snap
- Construction: Plastic trim ring, metal back with white translucent acrylic lens
- Dimming: TRIAC down to 10%
- Suitable for WET LOCATION
- Rated for a long life - over 50,000 hours
- Field selectable 2700K, 3000K, 3500K, 4000K, 5000K



## DIMENSIONS



SPECIFICATIONS	
Model	PLT-12708
Watts	22W
CRI	90Ra (80Ra Optional*)
Color Temperature(K)	5-color field selectable CCT - 2700K, 3000K, 3500K, 4000K, 5000K
Light Output(lm)	1517lm**
Default Driver Input	AC120V, 60Hz
Dimming	Triac Dimming
Power Factor	>0.9
Approved Location	Wet Location
Operating Temp.	(-4°F~104°F) -20~40°C
Beam Angle	120°

PACKAGE	
Weight.(g)	900g
Qty/CTN (pcs)	6pcs/CTN
Box Dimension	336*228*334mm
Gross Weight	6.6kg/CTN

\*80 CRI Version - NPS-00160 Special Order. Call 1-800-624-4488  
 \*\* See Selectable Table for full breakdown.

## INCLUDED IN BOX

- 12" Plastic Round Slim Surface
- Mounting Bracket to J-Box
- Two Mounting Screws
- Three Wire Nuts



Universal J-Box Kit

## Accessories(sold sperately)

### Decorative Ring Used for 12" Round Slim Surface



NPS-00161  
Special Order. Call  
1-800-624-4488

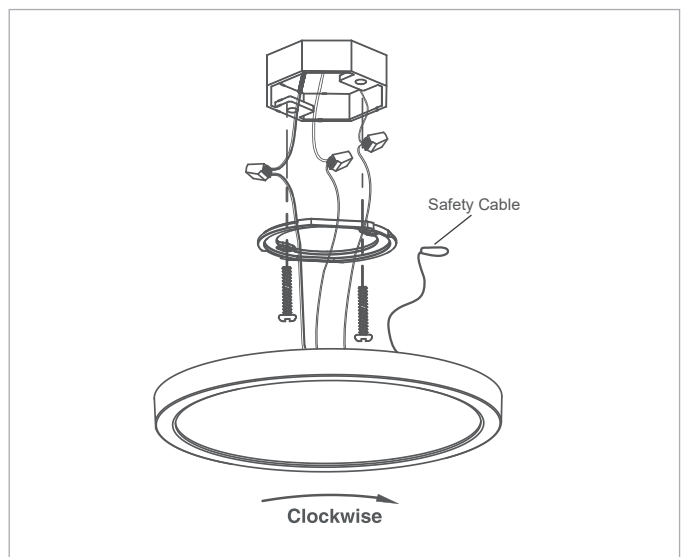


NPS-00162  
Special Order. Call  
1-800-624-4488



NPS-00163  
Special Order. Call  
1-800-624-4488

## Installation





# 12-inch Round Plastic Slim Surface Mount - Tunable CCT

Selectable Table

<b>Wattage</b>	<b>CCT</b>	<b>Lumens</b>	<b>LPW</b>
22	2700	1320	60
	3000	1401	64
	3500	1502	68
	4000	1518	69
	5000	1456	66