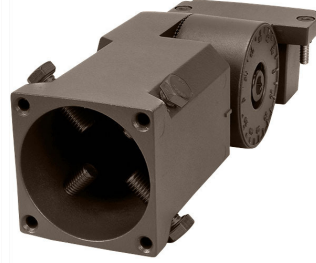
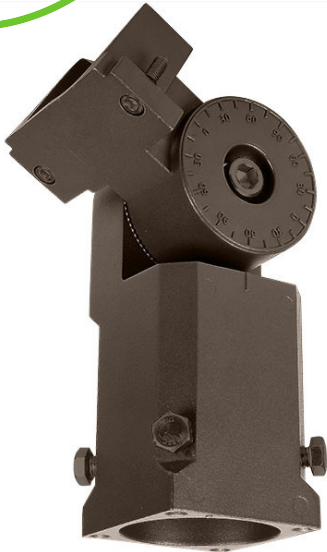




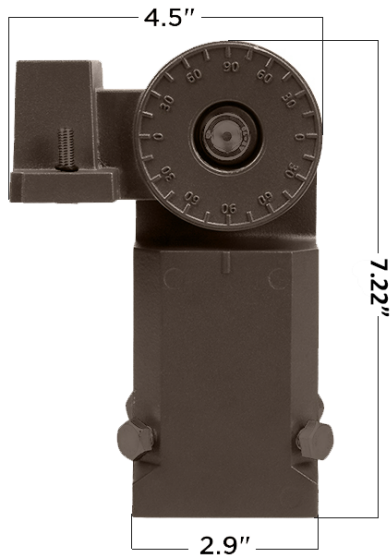
## PLT-13008 - Slipfitter Mount - 2 3/8 in.

For Use With PLT Grandview or Excel Series LED Area Light Fixtures

Finish - Bronze  
Material - Die Cast Aluminum  
Weight Capacity - 110 lbs  
Max. Tenon Width - 2 3/8 in.  
Weight - 3.31 lbs



### Dimensions:



### Compatible With:

- PLTS-11971
- PLTS-11968
- PLTS-11969
- PLTS-11970
- PLTS-11975
- PLTS-11972
- PLTS-11973
- PLTS-11974
- PLTS-11976
- PLTS-11978
- PLTS-11979
- PLTS-11977
- PLTS-11984
- PLTS-11985
- PLTS-11982
- PLTS-11981
- PLT-12621
- PLTS-12181
- PLTS-11983
- PLTS-11980
- PLTS-11986
- PLTS-11987
- PLTS-11988
- PLT-13017
- PLT-13018
- PLT-13019
- PLT-13020
- PLT-13021
- PLT-13022
- PLT-13023
- PLT-13024
- PLT-13025
- PLT-13026
- PLT-13027
- PLT-13028
- PLT-13029
- PLT-13030
- PLT-13031
- PLT-13034
- PLT-13035
- PLT-13036
- PLT-13037
- PLT-13038
- PLT-13039
- PLT-13040
- PLT-13134