



# Uniform Light LED Center Basket Troffer



## Top features

- Deliver soft, dispersed illumination with an unprecedented level of uniformity
- Exhibit seamless and smooth finishes
- Field-adjustable Power and CCT available
- Sensor and EM solution available\*
- Flicker free( $\leq 10\%$ )



## Stand-alone sensors optional\*

Quick and easy in-field installation of sensors.  
Integrated occupancy and daylighting controls.



## Specifications

### UL Listing:

Suitable for damp locations

### LEDs:

Long-life, high-efficacy, micro-power LEDs

### Lifespan:

Lumen Maintenance, L70 > 100,000 hours

### Housing and Lens:

Sheet metal stamping, Frosted PC lens

### Finish:

Long lasting white with high durability

### Ambient Operating Temperature:

-20°C (-4°F) to 50°C (122°F)

### Driver:

Driver includes dimming control wiring for 0-10V dimming systems. The dim-to-off voltage threshold of optional 12V AUX integrated driver ranges from 0.1V to 0.5V.

### IESNA LM-79 & IESNA LM-80 Testing:

PLT LED luminaires have been tested based on IESNA LM-79 and LM-80 by a third-party laboratory

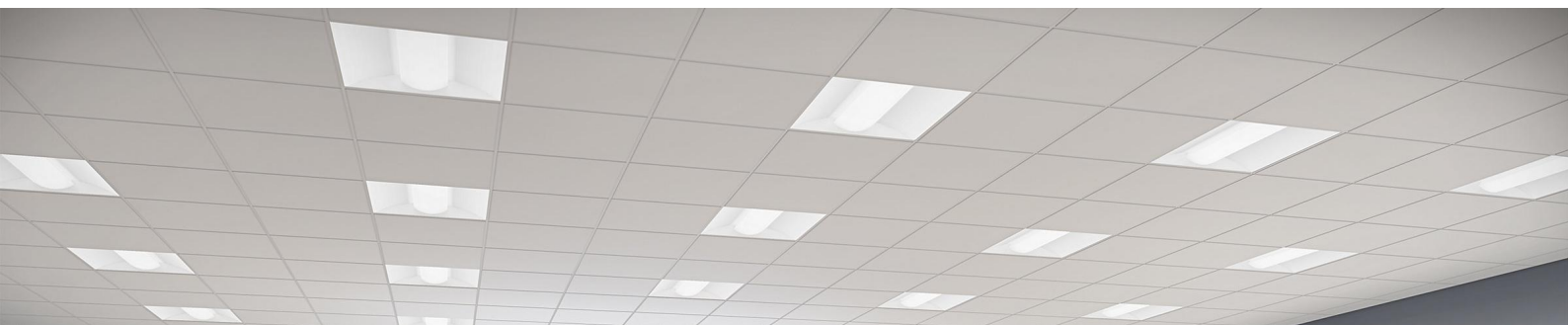
### Mounting:

- Grid ceiling
- Surface mounting
- Recessed drywall

### Optional accessories(purchased separately):

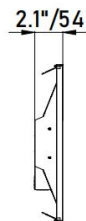
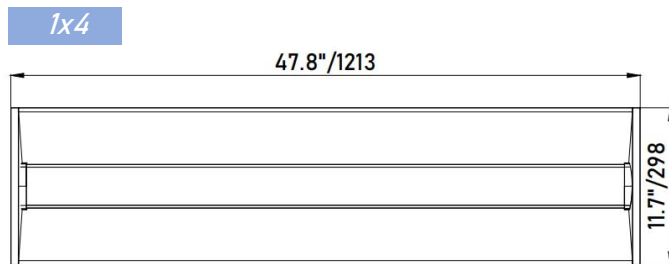
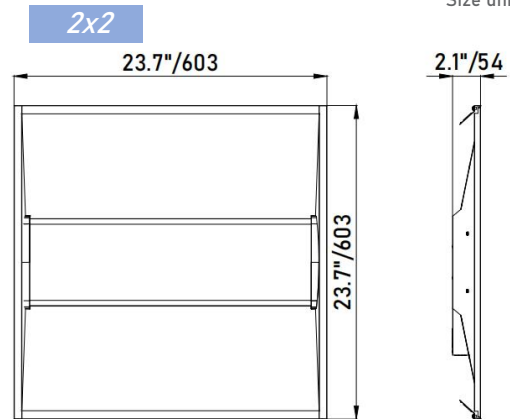
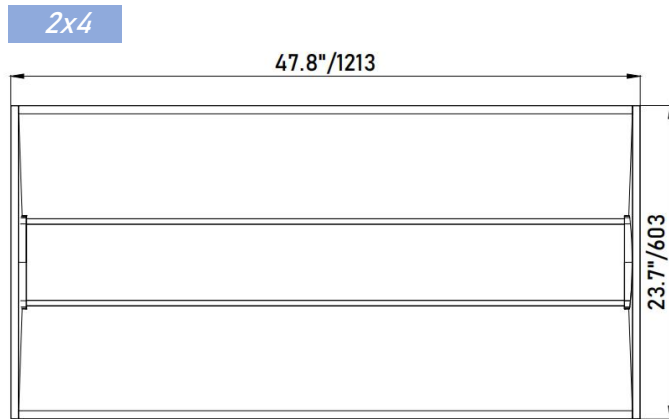
- Surface mount kit\*
- Drywall mount kit\*

\*Available via special order. Call 1-800-624-4488.



# Dimensions

Size unit: inch/mm



# Performance Summary

Product series	Size	Catalog No.	Input Wattage	Lumens Rated	Efficacy Rated	CCT
Fixed Power & CCT	2X4	NPS-00212*	25	3,250	130	Fixed, 3500K/4000K/5000K optional
		NPS-00213*	30	3,900	130	
		NPS-00214*	35	4,550	130	
		NPS-00215*	40	5,200	130	
		NPS-00216*	45	5,850	130	
		NPS-00217*	50	6,500	130	
	2X2	NPS-00218*	55	7,150	130	
		NPS-00219*	25	3,250	130	
		NPS-00220*	30	3,900	130	
		NPS-00221*	35	4,550	130	
	1X4	NPS-00222*	40	5,200	130	
		NPS-00223*	25	3,250	130	
		NPS-00224*	30	3,900	130	
NPS-00225*		35	4,550	130		
Field-adjustable Power & CCT	2X4	NPS-00226*	40	5,200	130	
		NPS-00227*	35/30/25	4,550/3,900/3,250	130	
		PLT-80043	45/38/34**	5,715/4,940/4,522**	130	
		NPS-00228*	50/42/34	6,500/5,460/4,420	130	
	2X2	NPS-00229*	56/42/46	7,280/5,460/5,980	130	
		PLT-80042	30/25/20**	3,810/3,250/2,660**	130	
		NPS-00230*	35/30/25	4,550/3,900/3,250	130	
	1X4	NPS-00231*	40/35/30	5,200/4,550/3,900	130	
		NPS-00232*	30/25/20	3,900/3,250/2,600	130	
NPS-00233*		35/30/25	4,550/3,900/3,250	130		
		NPS-00234*	40/35/30	5,200/4,550/3,900	130	

\*Available via special order. Call 1-800-624-4488.

\*\*See selectable table on Page 3 for full breakdown.

## Selectable Table

Sku: PLT-80042			
Wattage	CCT	Lumens	LPW
20	3500	2620	131
	4000	2660	133
	5000	2640	132
25	3500	3200	128
	4000	3250	130
	5000	3225	129
30	3500	3750	125
	4000	3810	127
	5000	3780	126

Sku: PLT-80043			
Wattage	CCT	Lumens	LPW
34	3500	4454	131
	4000	4522	133
	5000	4488	132
38	3500	4864	128
	4000	4940	130
	5000	4902	129
45	3500	5625	125
	4000	5715	127
	5000	5670	126

## Compatible Dimmers

Dimmer brand	Dimmer part No	Dim to off voltage
LUTRON	NTSTV-DV	0.527V
LUTRON	NFTV	0.515V
LUTRON	DVTV	0.765V
LEVITON	IP710	0.609V
LEVITON	DS710	0.578V
legrand	RH4FBL3PW	0.568V