

LED CEILING LIGHT

Model No. EIN-CL59WH-1000e

Euri LED Ceiling fixtures provide exceptional performance in general lighting applications for hotels, motels, residential and commercial properties. Built with a switch on the unit which allows for adjustment of color temperatures between 2700K/3000K/3500K/4000K/5000K. This fixture produces a high quality of light with superior longevity and energy savings. Features include: dimming option, 5CCT selectable, wet rated, JA8, Title24 and Energy Star.



White Aluminum Housing & Frosted Plastic Lens

N/A

REPLACEMENT



15 Watts



5CCT Selectable



Dimmable (Using Triac)



Energy Efficient



Wet Rated



Integrated LED Fixture

Electrical Specifications

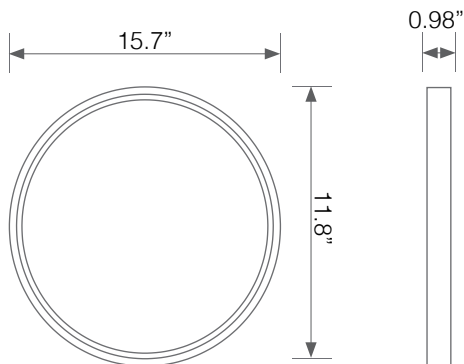
Model No.	Input Power	Input Voltage	Lumen Output	Beam Angle	Center Beam	CCT
EIN-CL59WH-1000e	15 W	120V/60Hz	1500 lm	110°	N/A	2700/3000/3500 4000/5000K

CRI	Luminous Efficacy	Power Factor	Input Current	Base	Lamp Lifespan	Estimated Yearly Cost
90	100 lm/W	0.9	0.22 A	N/A	50,000 Hrs.	\$ 1.80

Mechanical Specifications

Rating	Operational Temperature	Inner Box QTY.	Master Box QTY.	Dimensions(in.)	UPC Code
Wet Rated	-4°F - 104°F	1 pc	10 pcs	15.7"(Ø) x 0.98"(H)	811174037286

Product Dimensions



Product Photometric Data

