



## SELECTABLE LED ROUND BOLLARD

### WARNING, CAUTION, SAFETY AND INSTALLATION INSTRUCTIONS

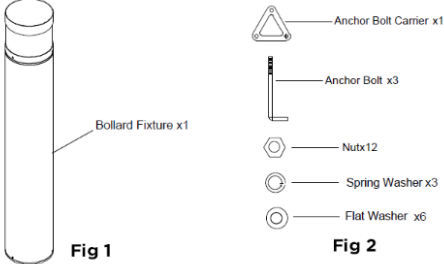
#### WARNING

- Installation, service, and maintenance of luminaires should be performed by a qualified licensed electrician.
- Ensure the foundation is stable and can support the weight of the bollard.
- Use proper means to secure the bollard to the ground.

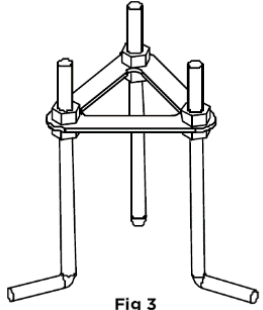
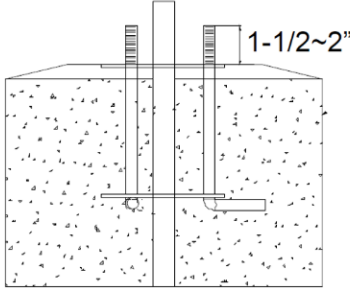
#### CAUTION

- Install this product in accordance with country, regional and local laws and regulations.
- If unsure about the installation or maintenance of this product, consult a qualified electrician and check the local electrical code.
- Inspect equipment for damage from shipping and handling.

#### Package Contents

|   |   |
|---|---|
| <p>Remove the luminaire (Fig 1) and accessories (Fig 2) from the carton and inspect for damage. Do not install a damaged luminaire.</p> |  <p>Fig 1</p> <p>Fig 2</p> |
|---|---|

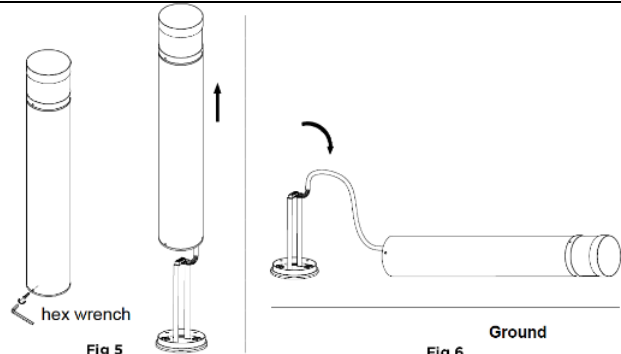
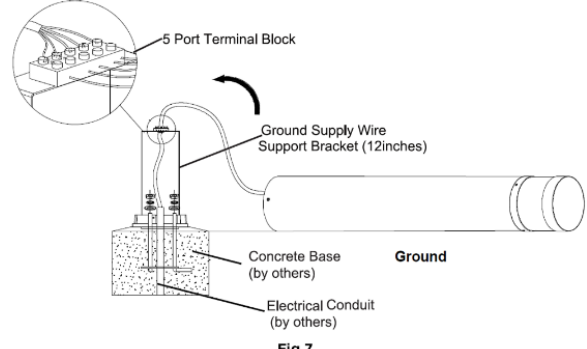

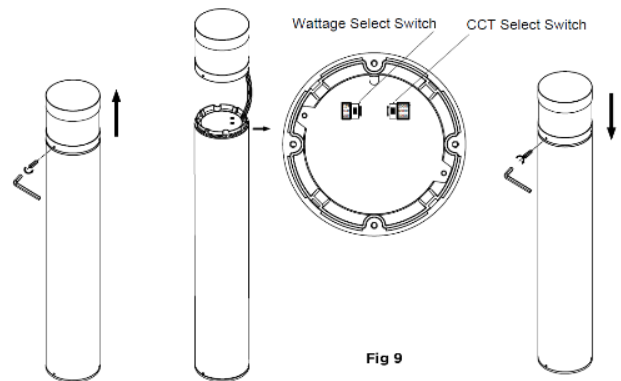
#### Installation Instructions

|  |  |
|--|--|
| <ul style="list-style-type: none"><li>• Prepare site. Assemble the anchor bolt carrier (Fig 3) and use it to determine the placement of the anchor bolts in the concrete.</li></ul>  |  <p>Fig 3</p> |
| <ul style="list-style-type: none"><li>• Ensure that the concrete base is suitable for the load of the bollard.</li><li>• Install the three anchor bolts into the concrete having at least 1-1/2" – 2" protruding from the concrete with the threads free and clear of debris and dirt. (Fig 4)</li></ul> |  <p>Fig 4</p> |



## SELECTABLE LED ROUND BOLLARD

### WARNING, CAUTION, SAFETY AND INSTALLATION INSTRUCTIONS

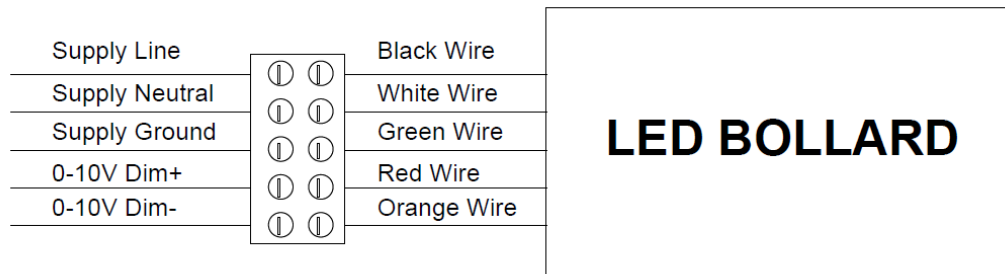
|   |  |
|---|--|
| <ul style="list-style-type: none"><li>• Disassemble the fixture body from the base plate by loosening the three set screws with the hex wrench. (Fig 5)</li><li>• Lay the fixture body down beside the installed anchor bolts, making sure to keep the wires connected. (Fig 6)</li></ul>   |  <p>Fig 5</p> <p>Fig 6</p> <p>Ground</p> |
| <ul style="list-style-type: none"><li>• Place the base plate over the anchor bolts and tighten the nuts to secure the base plate to the foundation. (Fig 7)</li></ul>   |  <p>Fig 7</p> <p>Ground</p>              |
| <ul style="list-style-type: none"><li>• Connect the incoming power leads to the fixture according to the Wiring Diagram. Verify all wiring is properly connected and properly secured.</li><li>• Replace the fixture body on the base plate and tighten the three set screws with hex wrench to secure the fixture body to the base plate. (Fig 8)</li></ul>  |  <p>Fig 8</p>                          |
| <ul style="list-style-type: none"><li>• Set the desired color temperature (CCT) and wattage using the following steps: (Fig 9)<ul style="list-style-type: none"><li>○ Use the hex wrench to open the bollard head.</li><li>○ Select the desired CCT and wattage using the switches.</li><li>○ Replace the bollard head and secure it using the hex wrench.</li><li>○ Default CCT Setting : 22W, 5000K</li></ul></li><li>• Power on the luminaire.</li></ul> |  <p>Fig 9</p>                          |



## SELECTABLE LED ROUND BOLLARD

### WARNING, CAUTION, SAFETY AND INSTALLATION INSTRUCTIONS

## Wiring Diagram



## Cleaning Recommendations

- Wipe off dust with a dry, soft cloth.
- Remove greasy spots with a soft cloth dampened in lukewarm water (<122°F/ 50°C) with a mild detergent.
- Never use detergents containing abrasives or solvents.
- Never use scouring powder and similar substances as they will scratch the surfaces of the bollard.

## ⚠ WARNING

- Before installing, servicing, or performing routine maintenance upon this equipment, follow these general precautions.
- To reduce the risk of death, personal injury, or property damage from fire, electric shock, falling parts, cuts/abrasions, and other hazards, read all warnings and instructions included with and on the fixture box and all fixture labels.
- Proper grounding is required to ensure safety.
- Power must be turned off at the breaker before installation or maintenance.
- This product must be installed in accordance with the applicable installation code by a person familiar with the construction and operation of the product and the hazards involved.
- Wear gloves and eye protection at all times while installing, servicing, or performing maintenance on the luminaire, and avoid direct eye exposure to the light source while it is on.
- To prevent wiring damage or abrasion, do not expose wiring to edges of sheet metal or other sharp objects.
- Do not install damaged product. Inspect luminaire for damage that may have occurred during transit. If damaged, contact the manufacturer immediately.
- These instructions do not purport to cover all details or variations in equipment nor to provide every possible contingency to meet in connection with installation, operation, or maintenance. Should further information be desired or should particular problems arise which are not covered sufficiently for the purchaser's or owner's purposes, contact the manufacturer.

## ⚠ ADVERTENCIA

- Antes de instalar, reparar o realizar el mantenimiento de rutina de este equipo, siga estas precauciones generales.



## SELECTABLE LED ROUND BOLLARD

### WARNING, CAUTION, SAFETY AND INSTALLATION INSTRUCTIONS

- Para reducir el riesgo de muerte, lesiones personales o daños a la propiedad por fuego, descarga eléctrica, caída de piezas, cortes / abrasiones y otros peligros, lea todas las advertencias y instrucciones incluidas con y en la caja del dispositivo y todas las etiquetas del dispositivo.
- Se requiere una conexión a tierra adecuada para garantizar la seguridad.
- Se debe apagar la energía en el disyuntor antes de la instalación o el mantenimiento.
- Este producto debe ser instalado de acuerdo con el código de instalación aplicable por una persona familiarizada con la construcción y operación del producto y los peligros involucrados.
- Utilice guantes y protección para los ojos en todo momento durante la instalación, el servicio o el mantenimiento de la luminaria, y evite la exposición directa de los ojos a la fuente de luz mientras está encendida.
- Para evitar daños o abrasiones en el cableado, no exponga el cableado a bordes de láminas de metal u otros objetos afilados.
- No instale un producto dañado. Inspeccione la luminaria en busca de daños que puedan haber ocurrido durante el tránsito. Si está dañado, comuníquese con el fabricante de inmediato.
- Estas instrucciones no pretenden cubrir todos los detalles o variaciones en el equipo ni proporcionar todas las posibles contingencias a cumplir en relación con la instalación, operación o mantenimiento. Si desea obtener más información o si surgen problemas particulares que no están suficientemente cubiertos para los propósitos del comprador o propietario, comuníquese con el fabricante.