

Project Name:	Type:
Part Number:	Date:

CCT SELECT HYBRID PL

FEATURES

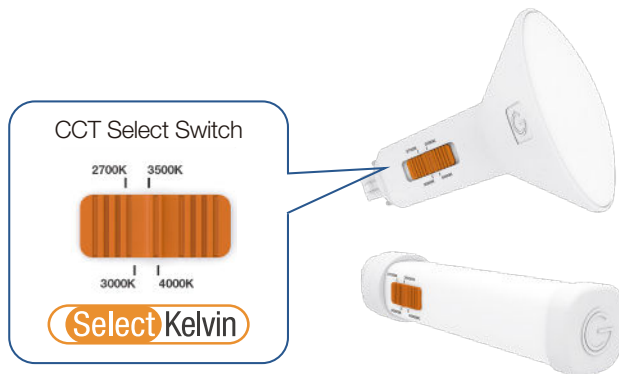
- Replaces 26W CFL lamps
- DIRect or BYPass installation
- DIRect installation* - Compatible with magnetic ballast (G24d/GX24d)
- BYPass installation - Work off line voltage (G24d/GX24d/G24q/GX24q)
- SelectKelvin technology - field selectable color temperature in 2700K, 3000K, 3500K, and 4000K
- Available in Horizontal & Vertical installation design
- 310° rotatable base allows light to be directed as needed and maximize performance in fixture (Horizontal installation models)
- Exceptional high efficacy up to 138 LPW
- Suitable for damp locations
- UL Listed and UL Classified
- Lamp ambient temperature: -4°F to 113°F (-20°C to 45°C)
- Fixture operating temperature: -4°F to 95°F (-20°C to 35°C)
- Rated lifetime (L70): 50,000hrs
- 5 year limited warranty** / 10 year available (see EXTENDED WARRANTIES table for information)



072723



FOCUS FEATURE



SPECIFICATIONS

Product	Model	Equiv.	Input Voltage	Wattage	CCT	Lumens	Efficacy (LPW)	CRI	Power Factor	THD	Beam Angle	Dim.	Fixture Rating
37084	8PLH/8CCTS/HYBM	26W	120-277V	8	2700K	870	109	82	0.9	<20%	110°	No	Non-Enclosed
					3000K	920	115						
					3500K	1,000	125						
					4000K	1,000	125						
37085	8PLV/8CCTS/HYBM	26W	120-277V	8	2700K	1,000	125	82	0.9	<20%	120°	No	Non-Enclosed
					3000K	1,050	131						
					3500K	1,100	138						
					4000K	1,100	138						

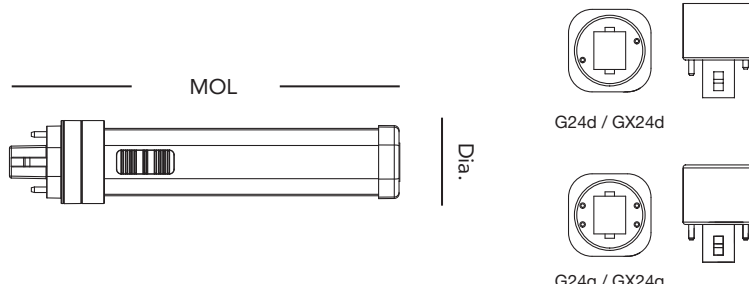
* Ballast Dependent. Please refer to www.greencreative.com for full ballast / dimmer compatibility list.

** Please visit www.greencreative.com for Limited Warranty terms.

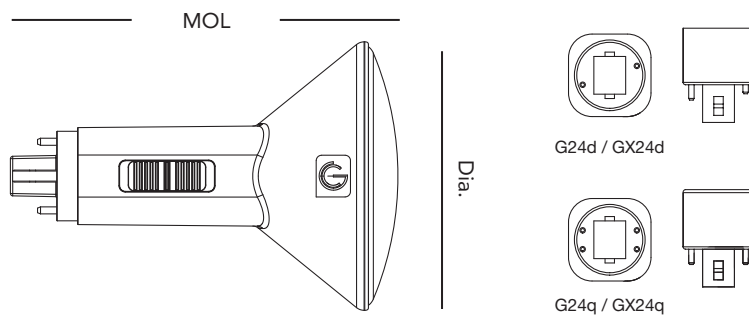


CCT SELECT HYBRID PL

DIMENSION & WEIGHT



Model	8PLH/8CCTS/HYBM
Compatible base	G24d, GX24d, G24q & GX24q
MOL	6-3/8"
Dia.	1-3/8"
Weight	0.17 lb



Model	8PLV/8CCTS/HYBM
Compatible base	G24d, GX24d, G24q & GX24q
MOL	5-1/8"
Dia.	3-9/16"
Weight	0.24lb

MINIMUM COMPARTMENT DIMENSIONS

Note – the base of this lamp is 1-3/8" by 1-3/8" and the opening in the reflector should be a minimum of 1-3/8" by 1-3/8" to insure a proper fit. For non-enclosed rated applications the minimum compartment must follow the below guidelines.

Non-enclosed Fixture Horizontal Installation	Model Number		8PLH/8CCTS/HYBM
		Lamp Compartment Dimensions	Diameter
Height			4-3/4"
	Maximum Lamps in Luminaire		2
	Lampholder-to-Lampholder Spacing		3/8"

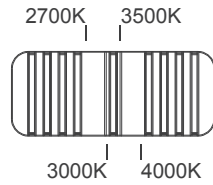
Non-enclosed Fixture Vertical Installation	Model Number		8PLV/8CCTS/HYBM
		Lamp Compartment Dimensions	Diameter
Height			9-1/16"
	Maximum Lamps in Luminaire		1

Product warranty is defined based on the condition of above minimum compartment size, maximum lamps in glass/metal luminaire.



CCT SELECT HYBRID PL

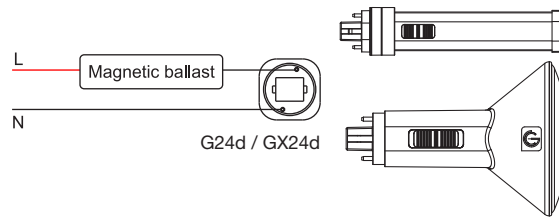
INSTALLATION



Adjust the CCT select switch to proper CCT position.
 Note: Do not adjust the CCT select switch when power on.

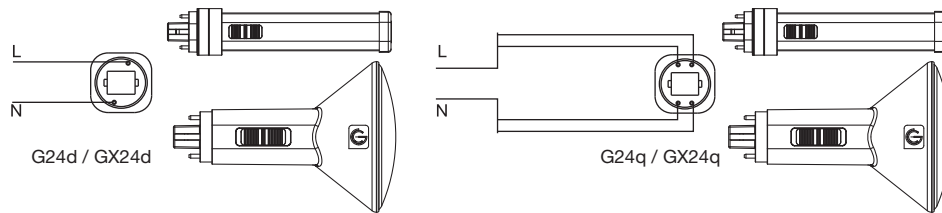
DIRECT INSTALLATION – MAGNETIC BALLAST

When used with a magnetic ballast, the lamp can function as a plug & play lamp and operate with the existing ballast.



BYPASS INSTALLATION – NO BALLAST

If the ballast is not compatible, it can be bypassed and the lamp can run directly off line voltage.



ACCESSORY ORDERING INFORMATION

Product	Model	Description	Pictures	Dimensions
98003	23EMDRIVER	California Title 20 Compliant 23W Emergency LED Driver (Field Installation)		
34958	5EMDRIVER***	5W Emergency LED Driver		
34959	10EMDRIVER***	10W Emergency LED Driver		

*** Does not meet Title 20 appliance requirements, not for use in California



CCT SELECT HYBRID PL

ORDERING INFORMATION

Model	Master Carton			Shipping Carton		
	Case Qty	Case Dimensions (LxWxH)	Case Weight	Case Qty	Case Dimensions (LxWxH)	Case Weight
8PLH/8CCTS/HYBM	6PCS	6-3/4" x 4-5/8" x 3-1/4"	1.32 lb	24PCS	13-7/8" x 9-15/16" x 4-3/4"	5.95 lb
8PLV/8CCTS/HYBM	6PCS	11-1/4" x 7-1/2" x 5-1/2"	2.42 lb	24PCS	30-11/16" x 12-1/4" x 6-15/16"	11 lb

EXTENDED WARRANTIES****

Model	Description
8PLH/8CCTS/HYBM/10YEARWARRANTY	10 Year warranty for 8PLH/8CCTS/HYBM
8PLV/8CCTS/HYBM/10YEARWARRANTY	10 Year warranty for 8PLV/8CCTS/HYBM

**** Warranty based on a maximum of 4,368 annual operating hours (per year for ten years) and exposure to a maximum ambient temperature of 80°F / 27°C.

Note: All rights reserved. All sizes and specifications are subject to change at any time without notice