



# LED High Bay Fixture w/ Motion Sensor

## DESCRIPTION

Providing a one-for-one replacement of up to 1000 Watt metal halide fixtures or 8 lamp fluorescent fixtures, these LED high bay fixtures come with a pre-installed motion sensor that turns the fixture on, off, and adjusts the light level depending on the amount of ambient light and room occupancy.

## FEATURES

- Up to 136 LPW ultra-high efficiency delivers superior performance over legacy HID high bays
- Pre-installed PIR motion sensor allows fixture to turn on or off automatically depending on the amount of light or activity detected in the area; see Motion Sensor Specifications for information on factory settings
- Optional remote control available to adjust motion sensor settings including light levels and daylight harvesting; remote must be less than 40 feet from the sensor/fixture that is being controlled; see PLT-90311 for more information

## LISTINGS

- UL rated for damp locations
- IP20
- DesignLights Consortium® 5.1 Premium - meets the requirements for the highest DLC qualification for efficacy and lumen maintenance

## PERFORMANCE

- CRI: 80
- CCT: 5000K
- LED L70 Life Hours @ 25°C: >100,000 hours

## THERMAL

- -4°F to 122°F (-20°C to 50°C) operating temperature

## ELECTRICAL

- THD: <20%
- Power Factor: >0.9
- Input Voltage: 120-277V
- Dimmable power supply (0-10V)
- Surge Protection: 2kV

## INSTALLATION

- Designed for suspended mounting with included V-hooks and 3 ft. chains; see installation instructions for more information

## CONSTRUCTION

- Stamped sheet metal housing with white finish
- Frosted PMMA lens protects LEDs while evenly distributing light

Project name	Type
Catalog number	
Comments	Voltage
Approved by	Date



## WARRANTY

- 5-year limited warranty; see [pltsolutions.com](http://pltsolutions.com) for warranty details

## APPLICATIONS

- Warehouses
- Manufacturing Plants
- Distribution Centers
- Grocery Stores
- Gymnasiums
- Indoor Recreational Facilities
- Cold Storage
- Big Box Retail
- Service Repair Centers

## PERFORMANCE SUMMARY

Item #	Model	Watts	Lumens	LPW	CCT	CRI	Voltage	Replaces	Length	DLC #	DLC Level
PLT-80036	Linear	210	28,560	136	5000K	80	120-277V	MH400	1.7'	PLTM168512	5.1 Premium
PLT-80037	Linear	300	40,800	136	5000K	80	120-277V	MH1000	2.6'	PLTM179512	5.1 Premium

## MOTION SENSOR SPECIFICATIONS

<b>Input Voltage</b>	12V DC
<b>Power Consumption</b>	0.1 Watt
<b>Dimming</b>	0-10V
<b>Mounting Height</b>	35' Max.
<b>Sensor Range</b>	80' Max. (40' on all sides of fixture)
<b>Default Setting*</b>	<ul style="list-style-type: none"> <li>• Trim Level - 100%</li> <li>• Hold Time - 10 minutes</li> <li>• Standby Dim - 50%</li> <li>• Standby Time - 1 minute</li> <li>• Photocell - OFF</li> </ul>
<b>Dimming Level Setting**</b>	0%, 10%, 30%, 50%, 75%, 100%
<b>Delay Time Setting**</b>	10s, 5min, 15min, 30min, 60 minutes, or ∞
<b>Certification</b>	UL

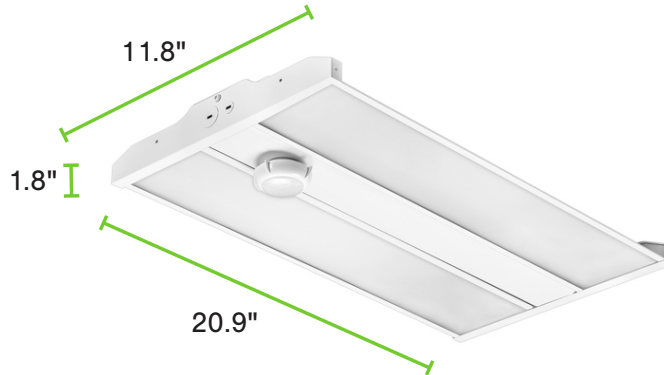
\* Reset button returns sensor settings to preset mode, see PLT-90311 for more information

\*\* Adjustable only with remote, see PLT-90311 for more information

## FIXTURE DIMENSIONS

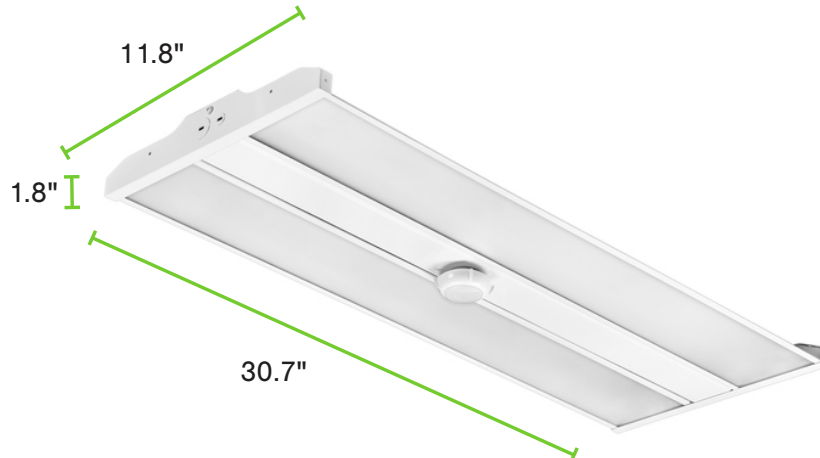
### 210W DIMENSIONS

Length: 20.9"  
 Height: 1.8"  
 Width: 11.8"  
 Weight: 6.7 lbs



### 300W DIMENSIONS

Length: 30.7"  
 Height: 1.8"  
 Width: 11.8"  
 Weight: 11.57 lbs

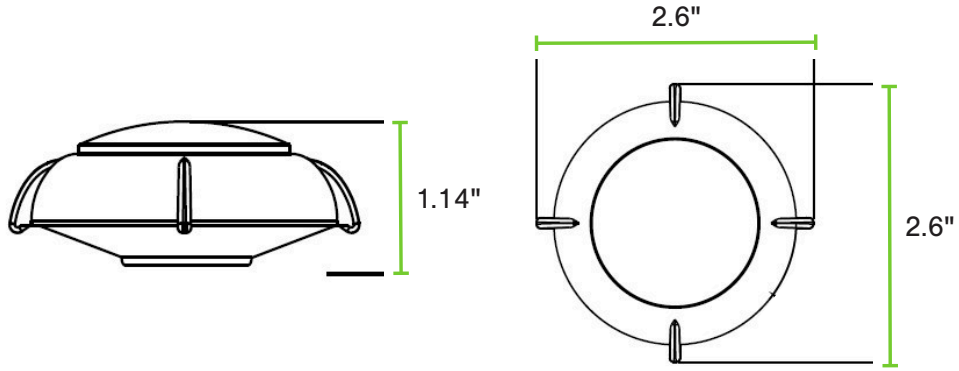


# MOTION SENSOR DIMENSIONS

## **DIMENSIONS**

Diameter: 2.6"

Depth: 1.14"



# MOTION SENSOR COVERAGE

