



DESCRIPTION

Replace existing fluorescent under cabinet lights with these more efficient direct wire LED under cabinet lights that can switch between 2700K, 3000K, 3500K, 4000K, and 5000K outputs.

FEATURES

- Has one on/off rocker switch and one CCT selection slider switch
- High color rendering index (CRI) of 90 makes color appear more accurate
- LED panel rotates up to 180-degrees, allowing you to aim the light output where needed
- Can connect multiple fixtures together for a maximum run of 400W with included double-ended connector (end-to-end connection) or 11.8" linking cable
- Power switch allows you to choose 100% power, 50% power, or off
- Hardwires directly into main power
- Dimmable; see Compatible Dimmers section for a full list of dimmers

LISTINGS

- ETL listed for damp locations
- RoHS

PERFORMANCE

- CRI: >90
- CCT: 2700K, 3000K, 3500K, 4000K, & 5000K
- LED L70 Life Hours @ 25°C: 50,000 hours

THERMAL

- 14°F to 113°F (-10°C to 45°C) operating temperature

ELECTRICAL

- THD: <30%
- Power Factor: >0.9
- Input Voltage: 120V

INSTALLATION

- Designed for surface mounting (hardware included); see installation instructions for more information.

CONSTRUCTION

- Aluminum alloy construction with black finish
- Frosted polycarbonate lens helps diffuse light output and reduce glare

Project name	Type
Catalog number	
Comments	Voltage
Approved by	Date



WARRANTY

- 5 year limited warranty; see pltsolutions.com for warranty details

APPLICATIONS

- Under and Over Cabinets
- Task Lighting
- Office Lighting
- Display Cases
- Coves
- Utility and Work Areas

PERFORMANCE SUMMARY

Item #	Watts	Lumens	LPW	CCT	CRI	Voltage	Lens	Beam Angle	Dimmable	Finish	Length
PLT-20290	8	375	47	2700K/ 3000K/ 3500K/ 4000K/ 5000K	>90	120V	Polycarbonate	110	Yes	Black	11.75"
PLT-20291	11.5	632	55	2700K/ 3000K/ 3500K/ 4000K/ 5000K	>90	120V	Polycarbonate	110	Yes	Black	15.75"
PLT-20292	15	808	54	2700K/ 3000K/ 3500K/ 4000K/ 5000K	>90	120V	Polycarbonate	110	Yes	Black	23.5"
PLT-20293	18	1036	58	2700K/ 3000K/ 3500K/ 4000K/ 5000K	>90	120V	Polycarbonate	110	Yes	Black	31.5"

COMPATIBLE DIMMERS

Dimmer Brand/Model	Power	Max. Output Current (=mA)	Min. Output Current (=mA)	Max Dimming Ratio	Min Dimming Ratio
LEVITON 6674	8W, 11.5W, 15W, 18W	268	10	93%	3%
LUTRON DVCL-153P	8W, 11.5W, 15W, 18W	267	23	93%	8%
LUTRON CTCL-153P	8W, 11.5W, 15W, 18W	267	16	93%	6%
LUTRON MACL-153M	8W, 11.5W, 15W, 18W	260	18	91%	6%
LUTRON SCL-153P	8W, 11.5W, 15W, 18W	268	5	93%	2%
LEVITON 6633-P	8W, 11.5W, 15W, 18W	285	1	99%	0%
LEVITON 6613	8W, 11.5W, 15W, 18W	284	9	99%	3%
LEVITON 66EV	8W, 11.5W, 15W, 18W	284	59	99%	21%
LEVITON DDE06	8W, 11.5W, 15W, 18W	266	9	93%	3%
LUTRON SELV-303P	8W, 11.5W, 15W, 18W	271	19	94%	7%
LUTRON DVSCSELV-300P	8W, 11.5W, 15W, 18W	268	18	93%	6%

DIMENSIONS

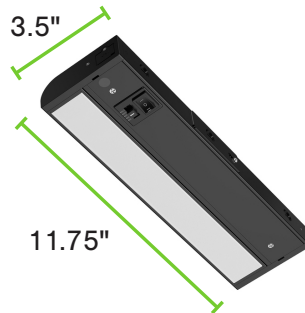
12" DIMENSIONS:

Length: 11.75"

Height: 1.2"

Width: 3.5"

Weight: 0.88 lbs



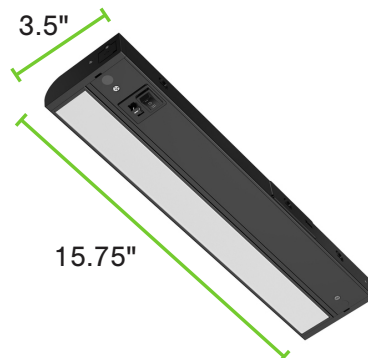
16" DIMENSIONS:

Length: 15.75"

Height: 1.2"

Width: 3.5"

Weight: 1.10 lbs



DIMENSIONS

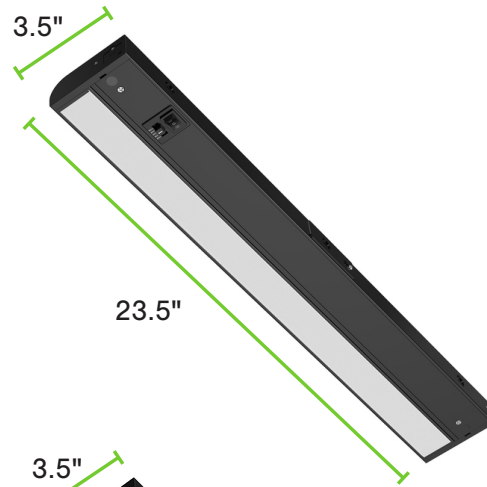
24" DIMENSIONS:

Length: 23.5"

Height: 1.2"

Width: 3.5"

Weight: 1.76 lbs



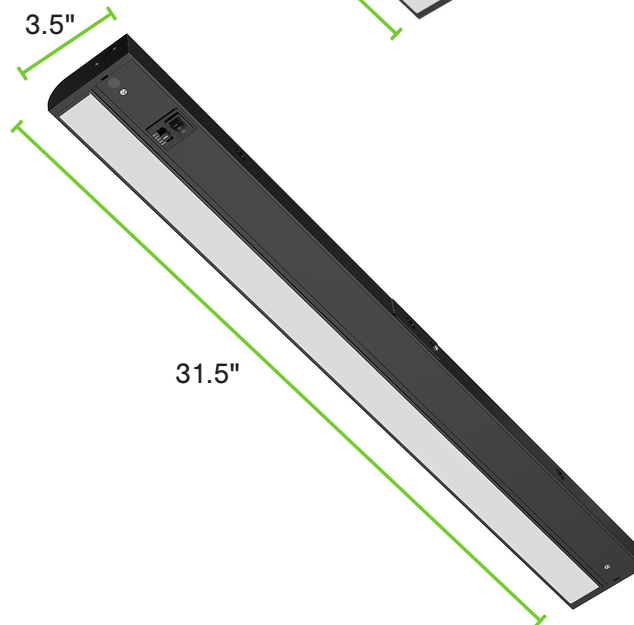
32" DIMENSIONS:

Length: 31.5"

Height: 1.2"

Width: 3.5"

Weight: 2.20 lbs



WARNINGS

- Only use this LED under cabinet fixture with the dimmers listed in the compatibility list. Using this fixture with incompatible dimmers may cause performance issues including humming, buzzing, flickering, and poor dimming performance.