



4" COLOR SELECTABLE RETROFIT LED DOWNLIGHT

WARNING, CAUTION, SAFETY AND INSTALLATION INSTRUCTIONS

WARNING

- Installation, service, and maintenance of luminaires should be performed by a qualified licensed electrician.
- The units covered in these installation instructions are intended to retrofit Type IC or Non-IC covered ceiling recessed luminaire.
- This retrofit kit includes an LED lamp, installation instructions, and a field-applied label. Please check these items when unpackaging.

CAUTION

- Install this kit only in luminaires that have the construction features and dimensions shown in the drawings where the input rating of the retrofit kit does not exceed the input rating of the luminaire.
- Do not make or alter any holes in the wiring enclosure or the electrical components during installation.
- Installers should not disconnect existing wires from lampholder terminals to make new connections at lampholder terminals. Instead, installers should cut existing lamp holder leads away from the lampholder and make new electrical connections to lampholder lead wires by employing applicable connectors.
- Do not alter, relocate, or remove wiring from lampholders, power supply, or any other electrical component.

NOTICE

- Minimum lamp compartment dimensions are 4.41" (DIA) x 5.51" (H) (112mm x 140mm).
- The retrofit kits are accepted as a component of a luminaire where the suitability of the combination shall be determined by authorities having jurisdiction.
- Suitable for wet locations.
- This device is not intended for use with emergency exits.

Installation Instructions

- Step 1. Turn OFF the power before installation. Toggle the switch on the back of the downlight to choose the CCT (2700K/3000K/3500K/4000K/5000K) you want. Remove the diffuser and existing bulb, if necessary, and remove the existing trim. Attach the relamping label to the inside of the recessed luminaire.
- Step 2. Twist the lamp base into the lamp holder. (Figure 1)

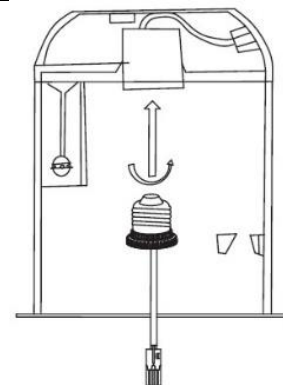


Figure 1



4" COLOR SELECTABLE RETROFIT LED DOWNLIGHT

WARNING, CAUTION, SAFETY AND INSTALLATION INSTRUCTIONS

Step 3. Connect the lamp connector with lamp base connector. (Figure 2)

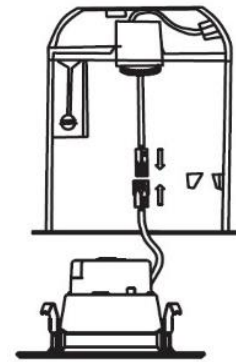


Figure 2

Step 4. Push the LED retrofit trim into the recessed light fixture. Continue to push the LED trim until its outer edge is flush against the ceiling surface (Figure 3).

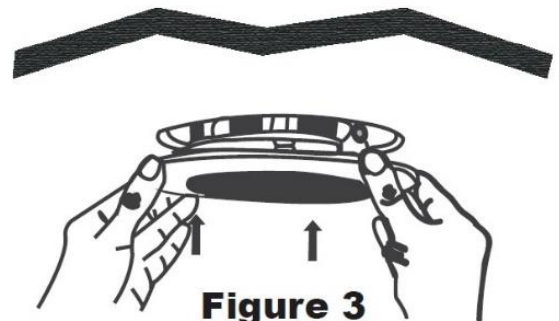
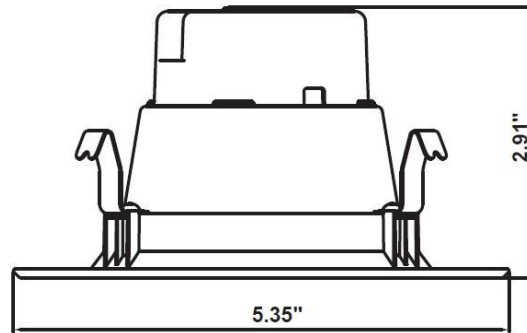


Figure 3

Product Size



Dimension tolerance: $\pm 1.5\text{mm}$

Electrical Parameters

Model	Input Voltage (V)	Input Frequency (Hz)	Input Current (A)	Input Watts (W)
PLT-13069	120	60	0.092	10
PLT-13071	120	60	0.092	10



4" COLOR SELECTABLE RETROFIT LED DOWNLIGHT

WARNING, CAUTION, SAFETY AND INSTALLATION INSTRUCTIONS

⚠ WARNING

- Before installing, servicing, or performing routine maintenance upon this equipment, follow these general precautions.
- To reduce the risk of death, personal injury, or property damage from fire, electric shock, falling parts, cuts/abrasions, and other hazards, read all warnings and instructions included with and on the fixture box and all fixture labels.
- Proper grounding is required to ensure safety.
- Power must be turned off at the breaker before installation or maintenance.
- This product must be installed in accordance with the applicable installation code by a person familiar with the construction and operation of the product and the hazards involved.
- Wear gloves and eye protection at all times while installing, servicing, or performing maintenance on the luminaire, and avoid direct eye exposure to the light source while it is on.
- To prevent wiring damage or abrasion, do not expose wiring to edges of sheet metal or other sharp objects.
- Do not install damaged product. Inspect luminaire for damage that may have occurred during transit. If damaged, contact the manufacturer immediately.
- These instructions do not purport to cover all details or variations in equipment nor to provide every possible contingency to meet in connection with installation, operation, or maintenance. Should further information be desired or should particular problems arise which are not covered sufficiently for the purchaser's or owner's purposes, contact the manufacturer.

⚠ ADVERTENCIA

- Antes de instalar, reparar o realizar el mantenimiento de rutina de este equipo, siga estas precauciones generales.
- Para reducir el riesgo de muerte, lesiones personales o daños a la propiedad por fuego, descarga eléctrica, caída de piezas, cortes / abrasiones y otros peligros, lea todas las advertencias y instrucciones incluidas con y en la caja del dispositivo y todas las etiquetas del dispositivo.
- Se requiere una conexión a tierra adecuada para garantizar la seguridad.
- Se debe apagar la energía en el disyuntor antes de la instalación o el mantenimiento.
- Este producto debe ser instalado de acuerdo con el código de instalación aplicable por una persona familiarizada con la construcción y operación del producto y los peligros involucrados.
- Utilice guantes y protección para los ojos en todo momento durante la instalación, el servicio o el mantenimiento de la luminaria, y evite la exposición directa de los ojos a la fuente de luz mientras está encendida.
- Para evitar daños o abrasiones en el cableado, no exponga el cableado a bordes de láminas de metal u otros objetos afilados.
- No instale un producto dañado. Inspeccione la luminaria en busca de daños que puedan haber ocurrido durante el tránsito. Si está dañado, comuníquese con el fabricante de inmediato.
- Estas instrucciones no pretenden cubrir todos los detalles o variaciones en el equipo ni proporcionar todas las posibles contingencias a cumplir en relación con la instalación, operación o mantenimiento. Si desea obtener más información o si surgen problemas particulares que no están suficientemente cubiertos para los propósitos del comprador o propietario, comuníquese con el fabricante.