

## Installation instructions

The retrofit kit including LED Lamp, an installation instruction and Field-applied Label. Please check these items when unpackaging.

The units covered in this report are intended to retrofit Type IC or Non-IC covered ceiling recessed luminaire with through-branch wiring marked “Max. 8 of 12 AWG conductors” with instructions to remove the existing trim and diffuser.

### **WARNING**

WARNING - Risk of fire or electric shock. LED Retrofit Kit installation requires knowledge of luminaires electrical systems. If not qualified, do not attempt installation. Contact a qualified electrician.

WARNING - Risk of fire or electric shock. Install this kit only in luminaires that have the construction features and dimensions shown in the photographs and/or drawings and where the input rating of the retrofit kit does not exceed the input rating of the luminaire.

Do not make or alter any open holes in an enclosure of wiring or electrical components during kit installation.

WARNING - To prevent wiring damage or abrasion, do not expose wiring to edges of sheet metal or other sharp objects.

Installers should not disconnect existing wires from lampholder terminals to make new connections at lampholder terminals. Instead installers should cut existing lampholder leads away from the lampholder and make new electrical connections to lampholder lead wires by employing applicable connectors.

“MIN. LAMP COMPARTMENT DIMENSIONS 163(DIA) X 185(H) mm” or “MIN. LAMP COMPARTMENT DIMENSIONS 141(DIA) X 195(H) mm”

“DRY LOCATIONS ONLY” or “SUITABLE FOR DAMP LOCATIONS.

Or “SUITABLE FOR WET LOCATIONS”

WARNING –Risk of fire or electric shock. Do not alter, relocate, or remove wiring, lampholders, power supply, or any other electrical component.

THE RETROFIT KIT IS ACCEPTED AS A COMPONENT OF A LUMINAIRE WHERE THE SUITABILITY OF THE COMBINATION SHALL BE DETERMINED BY AUTHORITIES HAVING JURISDICTION.

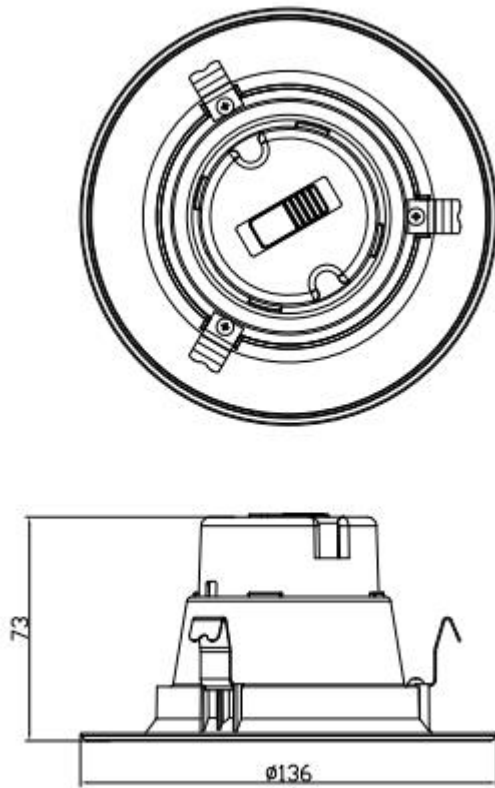
THIS DEVICE IS NOT INTENDED FOR USE WITH EMERGENCY EXITS.

**Electrical parameters:**

Model	Input Voltage (V)	Input Frequency (Hz)	Input Current (A)	Input Watts (W)
L11-DL4DGFWP-10W	120	60		
L11-DL4DFWP-10W	120	60		

**Product size:**

**Unit: mm**



Dimension tolerance:  $\pm 1.5\text{mm}$

### **Installation steps**

#### **STEP1:**

Turn off the power before installation, Remove the diffuser existing bulb if necessary and remove the existing trim. Attach the relamping label to the inside of recessed luminaire housing.

#### **STEP2:**

As shown in Figure 1

Twist the lamp base into the lamp holder.

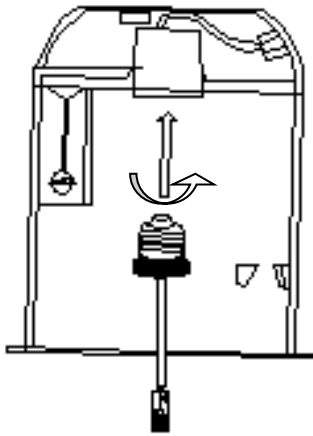


Figure 1

**STEP3:**

As shown in Figure 2

Connected the lamp connector with lamp base connector.

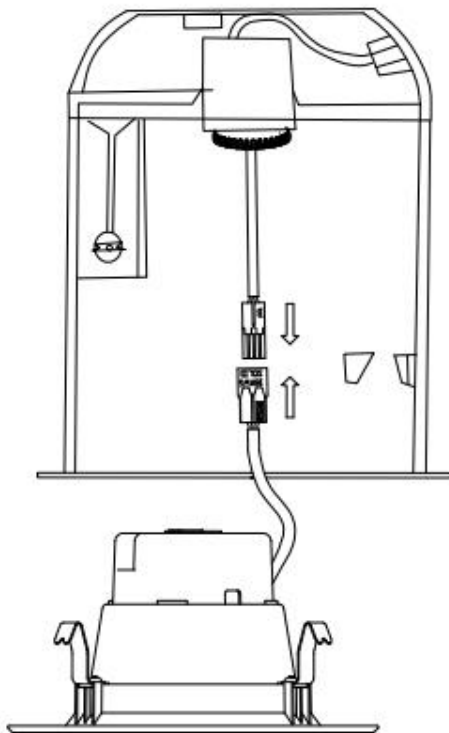


Figure 2

**STEP4:**

As shown in Figure 3

The lamp at both ends of the spring are arranged inside the lamp holder bayonet, (as shown in

Figure 3) through the spring pressing on both sides, so that it can be on both sides of the bayonet.

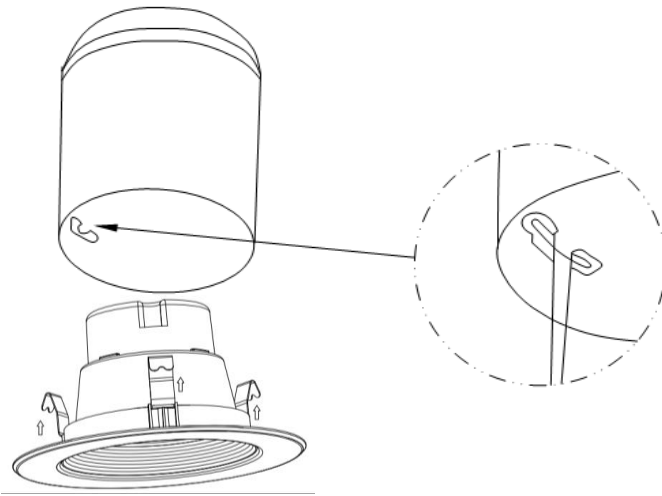


Figure 3

**STEP5:**

As shown in Figure 4

Push the LED retrofit trim into the recessed light fixture, allowing the torsion springs to pull the LED trim up into the recessed light fixture. Continue to push the LED trim until its outer edge is flush against the ceiling surface.

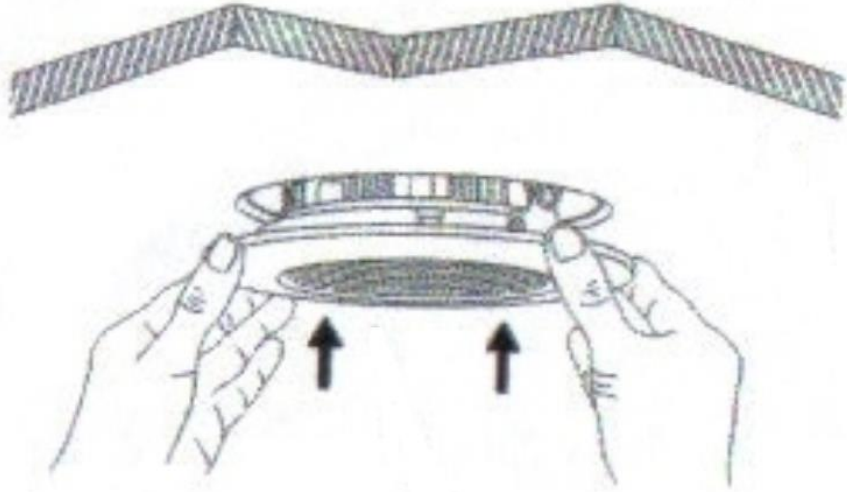


Figure 4