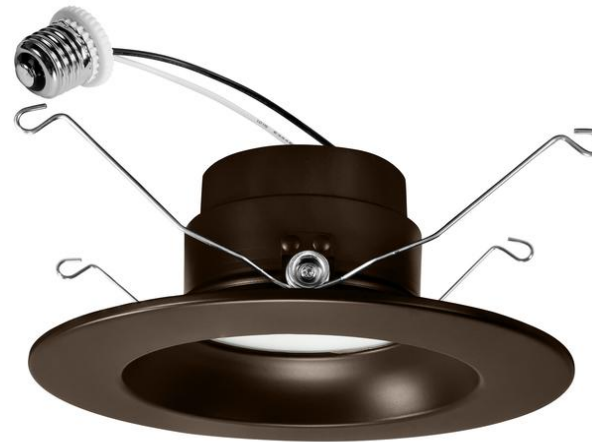
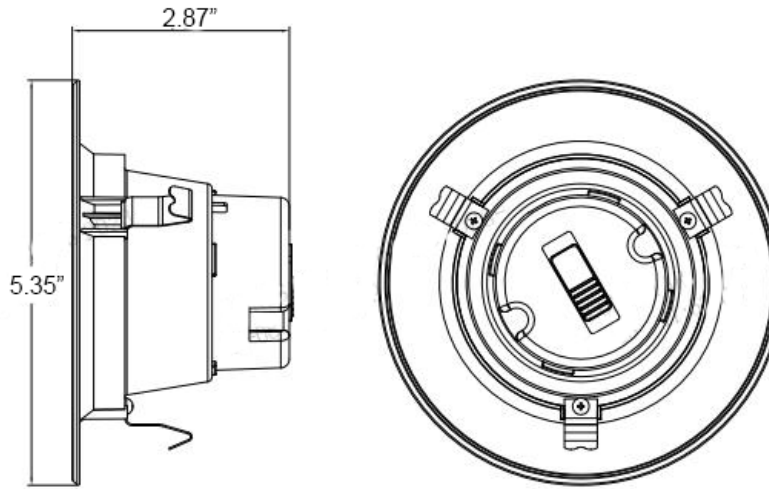




5 CCT Selectable 4" LED Downlight

High CRI makes colors appear more realistic and natural. Easy installation. Use in a variety of applications.



Wattage: 10W



Base Type: E26



Voltage: 120V



CCT: 5CCT



Lumen: 800lm



CRI: 90



Dimmable: Dim



Lifetime: 50000H

Specifications

SKU	Voltage	Power	Lumens	CCT	CRI	Finish	LampBase	Lifespan
PLT-13069	120V	10W	800LM	2700K/3000K/ 3500K/4000K/ 5000K	90	Bronze	E26	50000H
PLT-13071	120V	10W	800LM	2700K/3000K/ 3500K/4000K/ 5000K	90	Black	E26	50000H

Compatible Dimmers

No.	Dimmer Model#	
76#	LUTRON MACL-153M-WH	OK
96#	LUTRON DVCL-153P-WH	OK
114#	OLEGRAND RHCL453PW	OK
48#	LEVITON WHITE NO.6674 600W	OK
33#	LEVITON LIGH ALMOND NO.6672 600W	OK
41#	LEVITON WHITE NO.IPL06 600W	OK
88#	LUTRON MACL-153MH-WH	OK
92#	LUTRON TGCL-153P-WH	OK
115#	LUTRON DVCL-153PR-WH	OK
116#	LUTRON CTCL-153PDH-WH	OK
117#	AAL06-C1	OK
146#	P-PKG1W-WH-R	OK
139#	Martin Jerry MJ-SD01	OK
141#	Wemo - F7C059	OK
142#	LUTRON P-PKG1W-WH	OK
153#	LEVITON IPL06-011-10Z	OK
155#	LEVITON TSM10-012-1LW	OK
156#	LEVITON RDL06-001-10Z	OK
157#	LEVITON DSE06-001-10Z	OK
158#	LEVITON DDMX1-011-BLZ	OK
159#	LEVITON DDE06-BLZ 600W	OK
169#	TP LINK - Kasa Smart HS220	OK
130#	LEVITON SLIDE DIMMER SURESLID	OK
131#	LUTRON DIVA DVELV-300P-WH	OK
132#	LUTRON NLV-1000-LA	OK
133#	LUTRON SKYLARK SLV-600P-WH	OK
134#	LUTRON RADIORA2 RRD-6CL-WH	OK
135#	WATTSTOPPER MICO DETECTOR DCD2	OK