



LED AREA LIGHT



APPLICATION

Parking Areas| Automotive Dealerships| Roadways | Campuses| Streets Capes| Airports |
Area security lighting | Building facades| Signs | Entryways





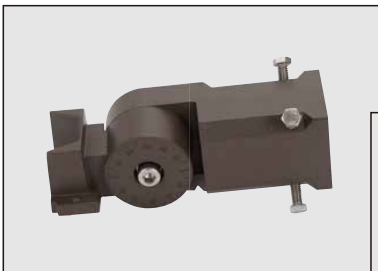
LED AREA LIGHT

GENERAL FEATURES

- Low-profile, stylish design with durable powder coat finish
- Powered by 0-10V dimming LED drivers
- Available with Type 3 and Type 5 light distributions
- Quick install mounting arms: Slipfitter, Straight Arm, Trunion*, U-bracket
- Ambient operating temperature: -40°C/-40°F to 50°C/122°F
- UL listed for wet locations, IP65
- Power Factor: >0.95
- THD: <20%
- Meets FCC Part 15, Part B, Class A standards for conducted and radiated emissions

MOUNTING ARMS

PLT-13008
Slipfitter



PLT-13007
Straight Arm for Round or
Square Poles



Trunion*

PLT-13006
Straight Arm for Square Pole



U-Bracket

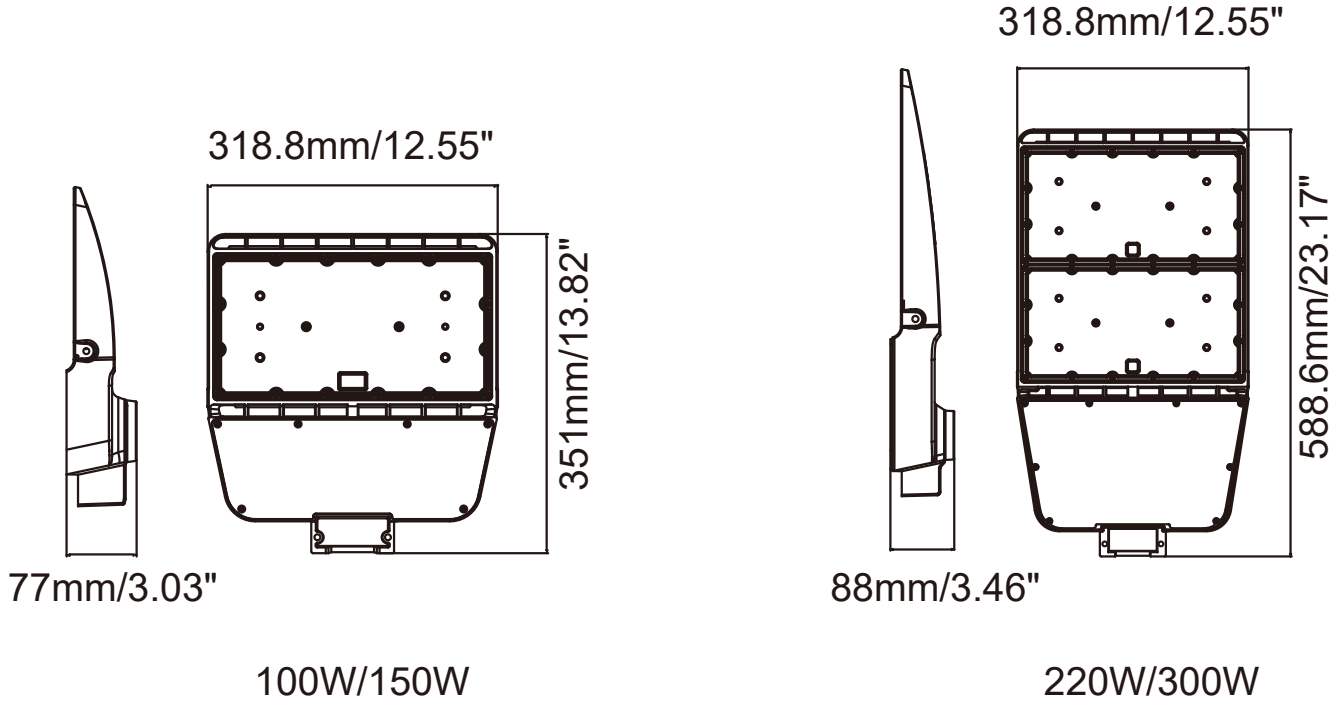
PLT-13003 - for 100-150W fixtures
PLT-13004 - for 200-300W fixtures

**Available via Special Order. Please call 1-800-624-4488.*



LED AREA LIGHT

DIMENSIONS

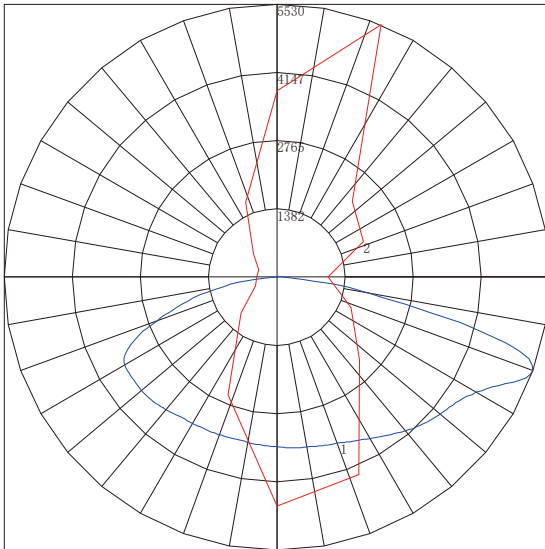


ELECTRICAL SPECIFICATIONS

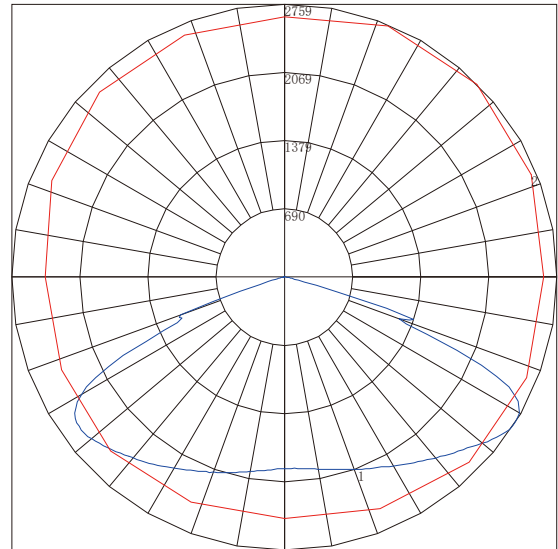
Model	Power	CCT	Lumen±5%	lm/w ±5%	Voltage	CRI	Type	Equivalence	Weight
PLT-13040	100W	4000K	15500	155	120-277VAC	>70	Type3	250W	7.61 lbs
PLT-13038	100W	5000K	15300	153	120-277VAC	>70	Type3	250W	7.61 lbs
PLT-13039	100W	4000K	16500	165	120-277VAC	>70	Type5	250W	7.61 lbs
PLT-13037	100W	5000K	16500	165	120-277VAC	>70	Type5	250W	7.61 lbs
PLT-13035	150W	4000K	22950	153	120-277VAC	>70	Type3	400W	7.85 lbs
PLT-13031	150W	5000K	21750	145	120-277VAC	>70	Type3	400W	7.85 lbs
PLT-13034	150W	4000K	23250	155	120-277VAC	>70	Type5	400W	7.85 lbs
PLT-13030	150W	5000K	23250	155	120-277VAC	>70	Type5	400W	7.85 lbs
PLT-13027	220W	4000K	35200	160	120-277VAC	>70	Type3	1000W	12.83 lbs
PLT-13025	220W	5000K	33000	150	120-277VAC	>70	Type3	1000W	12.83 lbs
PLT-13026	220W	4000K	35200	160	120-277VAC	>70	Type5	1000W	12.83 lbs
PLT-13024	220W	5000K	35200	160	120-277VAC	>70	Type5	1000W	12.83 lbs
PLT-13020	300W	4000K	45000	150	120-277VAC	>70	Type3	1000W	13.10 lbs
PLT-13018	300W	5000K	45000	150	120-277VAC	>70	Type3	1000W	13.10 lbs
PLT-13019	300W	4000K	48000	160	120-277VAC	>70	Type5	1000W	13.10 lbs
PLT-13017	300W	5000K	48000	160	120-277VAC	>70	Type5	1000W	13.10 lbs
PLT-13036	150W	5000K	23250	155	277-480VAC	>70	Type5	400W	7.94 lbs
PLT-13029	220W	5000K	33000	150	277-480VAC	>70	Type3	1000W	12.88 lbs
PLT-13028	220W	5000K	35200	160	277-480VAC	>70	Type5	1000W	12.88 lbs
PLT-13022	300W	5000K	45000	150	277-480VAC	>70	Type3	1000W	13.25 lbs
PLT-13021	300W	5000K	48000	160	277-480VAC	>70	Type5	1000W	13.25 lbs
PLT-13023	260W/ 280W/ 300W	3000K/ 4000K/ 5000K	46935* Max	169*	120-277VAC	>70	Type5	1000W	13.56 lbs

*See Selectable Table on Page 5 for full breakdown.

LIGHT DISTRIBUTIONS



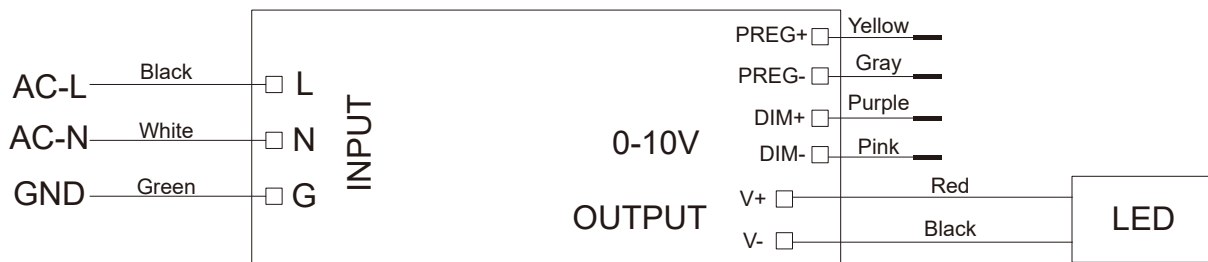
Type III



Type V

GENERAL WIRE DIAGRAM

LED DRIVER





LED AREA LIGHT

Selectable Table

SKU	Wattage	CCT	Lumens	Efficacy
PLT-13023	260	3000K	39,810	153
		4000K	43,875	169
		5000K	42,254	162
	280	3000K	42,445	152
		4000K	46,935	168
		5000K	44,240	158
	300	3000K	43,060	144
		4000K	46,800	156
		5000K	45,975	153