



# Surface-mounted brackets for LED UFO High Bay

Suitable for UFO high bay 450W-600W & 800W

Materials: Metal plate

Housing color: White, black or customized

## Dimension:

450-600W: 506\*309\*76mm

800W: 575\*340\*80mm

## Default accessories:

**450W-800W ( to install the bracket to fixture):**

2PCS of Hexagon Socket Screw M12\*30MM,SUS304

2PCS SUS304 gasket  $\Phi 18.6*3.15$ MM

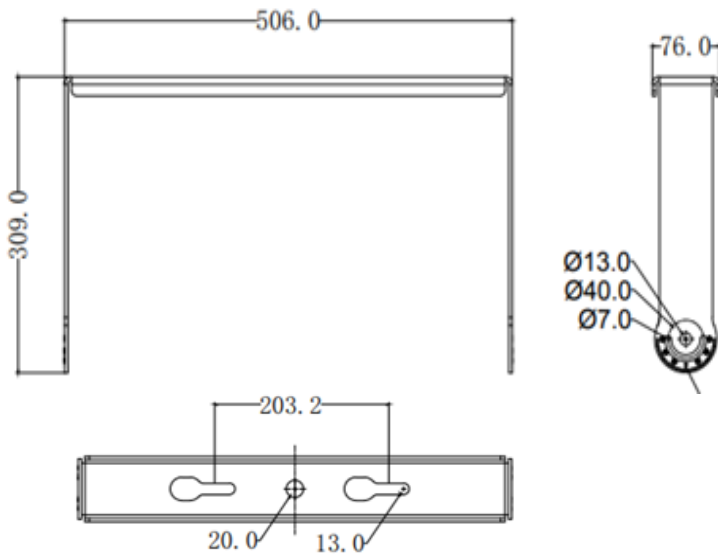
2PCS SUS304 flat gasket  $\Phi 23.7*1.4$ MM

2PCS of SUS304 Screws M6\*20MM

1PC of gasket,D22\*d12.5\*3mm,SUS304



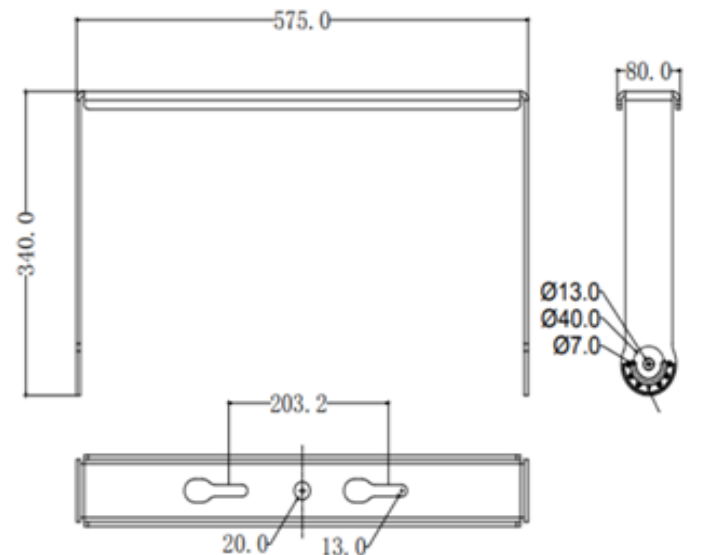
## 450W-600W - PLT-12642



### Fixtures Compatible w/ PLT-12642:

- PLT-12638 - Round LED High Bay – 1000W MH Equal, 350/400/450W, Up to 67,500 Lumens, 5000K, Black Finish
- PLT-12639 - Round LED High Bay – 1500W MH Equal, 500/550/600W, Up to 90,000 Lumens, 5000K, Black Finish

## 800W - PLT-12643



### Fixtures Compatible w/ PLT-12643:

- PLT-12640 - Round LED High Bay – 2000W MH Equal, 700/750/800W, Up to 120,000 Lumens, 5000K, Black Finish

**Screw Placement:**

