



**PLT-13091** - 60W, up to 8370 Lumens, 3000K/4000K/5000K, 175W MH Equal, Bronze Finish

- Knuckle mount
- DLC 5.1 Premium - PLTSNH141151



**Knuckle**  
*(included)*



**Trunion\***



**Yoke\***



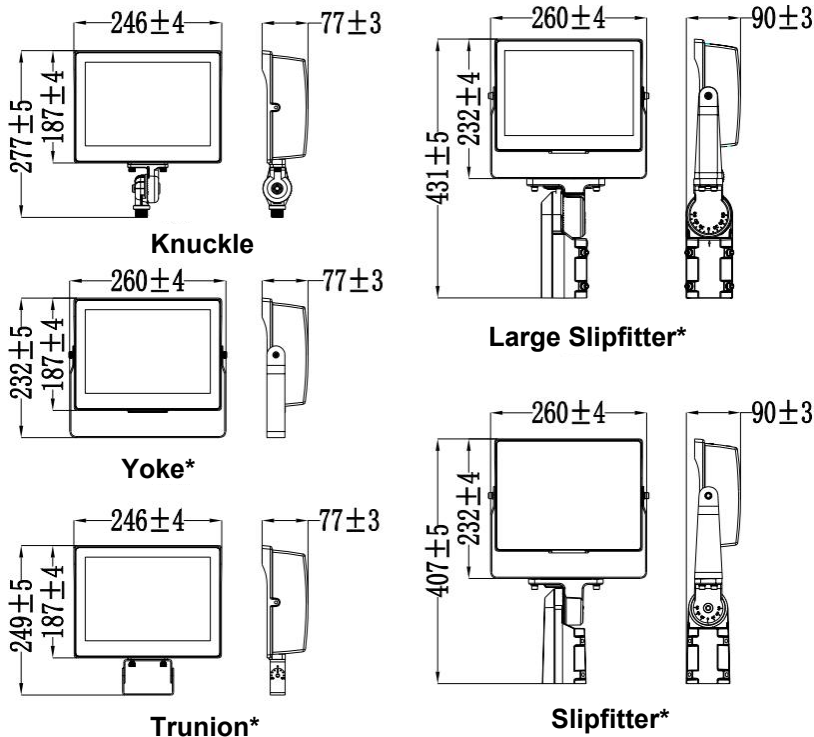
**Large Slipfitter\***



**Slipfitter\***

*\*Available via Special Order. Call 1-800-624-4488.*

## DIMENSIONS



## ADVANTAGE

- UL cUL certificate.
- IP65 driver, input voltage 120-277VAC
- No UV or IR in the beam.
- Easy to install and operate.
- Energy saving, long lifespan.
- Light is soft and uniform, safe to eyes.
- Instant start, NO flickering, NO humming.
- Green and eco-friendly without mercury.

## APPLICATION

- Outdoor basketball court, tennis court.
- Badminton court, the football field.
- The school playground, stadium.
- Community leisure entertainment plaza,
- Warehouse, factory and workshops;
- Highway toll station;
- Meeting room, exhibition hall;
- Gymnasium and supermarkets, etc. plaza,

## SPECIFICATIONS

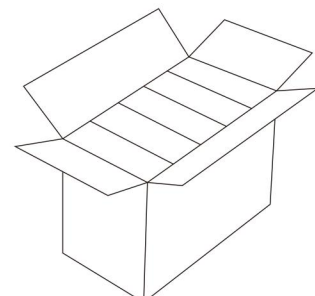
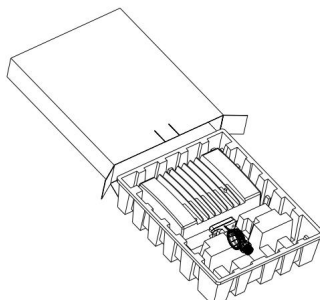
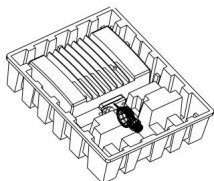
<b>OPTICAL</b>	Input Power (Tolerance : ±10%)	60W		
	Color Temperature (Color Tunable)	3000K	4000K	5000K
	Lumen (Tolerance : -10%)	7797 LM	8331 LM	8370 LM
	Efficacy (Tolerance : -3%)	130 LM/W	139 LM/W	140 LM/W
	CRI	>80		
	Color Consistency	<7 Steps (or <7 SDCM)		
	BUG	B3-U0-G1		
	Distribution Pattern	Clear Tempered Glass		
	Beam Angle (10%) (Tolerance : ±15%)	145°		
<b>ELECTRICAL</b>	Input Voltage and Frequency	120-277VAC,50/60Hz or		
	PF (Tolerance : -3%)	≥0.9		
	THD (Tolerance : +5%)	≤20%		
	Flicker Percent	<55%		
	Driver Brand	HBE		
	Driver Model	HB-LPG060G-52		
	Driver Surge protection	L/N-PE: 2.5kV, L-N: 2.5kV		
	Dimming	0-10V dimming standard		
	Optional Accessory	Surge protector*, Photocontrol*		
<b>MATERIALS</b>	LED Brand	Bridgelux		
	LED Type	SMD2835		
	LED QTY	336 PCS		
	Housing	Die-cast aluminum		
	Housing Color	Brown, Black*, or Customized*		
	EPA	0.68 ft²		
	Waterproof Rating	WET (IP65)		
<b>OTHERS</b>	Operating Temperature	-30°C TO 45°C		
	Storage Temperature	-40°C TO 80°C		
	Operating Humidity	20% - 90% RH		
	Storage Humidity	10% - 95% RH		
	Warranty	5 years warranty with 24/7 operating hours Luminaire lifetime at 25°C.		

\*Available via Special Order. Call 1-800-624-4488.

## PACKAGE

Bracket Type	Carton Size	Qty / Carton	Net Weight / pcs	Gross Weight / Carton
Knuckle	510*330*405mm	5 PCS	1.96KG	11.1KG
Trunion*	510*330*405mm	5 PCS	1.96KG	11.1KG
Yoke*	510*330*405mm	5 PCS	2.18KG	12.2KG

Tolerance of Carton Size: ±15 MM, Tolerance of Weight: ±10%.





## LIGHT DISTRIBUTION TESTING PARAMETERS

### NOTICE FOR USER

- Please turn off power before installation or maintenance.
- Verify that supply voltage is correct by comparing it with the luminaire label information. Please make sure the wiring is insulated.
- Installation, service, and maintenance of luminaries should be performed by a qualified licensed electrician.

### TROUBLESHOOTING

Problem	Solution
Flickering Light	Turn off the power, then turn on again after 3 minutes. If the light continues to flicker, call a licensed electrician.
Fixture not turning on	Check the electrical connection.