

Installation instructions

IMPORTANT: This product must be installed in accordance with the applicable installation code by a person familiar with the construction and operation of the product and the hazards involved.

Read all instructions before installing fixture. Retain for future reference.

SAFETY: For your safety, this fixture must be wired in accordance to local electrical codes and ordinances. All work should be done by a qualified electrician.

WARNING: Make certain power is OFF from the electrical panel before starting installation or attempting any maintenance. Indoor installation only.

TOOLS REQUIRED:

- Saw
- Measuring Tape
- Electrical Wiring (use type and gauge suitable for application to connect the fixture)

PRE-INSTALLATION:

1. Turn power OFF from the electrical panel before starting installation.
2. Locate a suitable position to plate the fixture and open in accordance to the cut-hole dimensions (refer to Hole Cut Table for appropriate size).
3. Run electrical wire from the switch (power supply) through the mounting hole-use NMD90 Romex or BX cable.

DRIVER WIRING:

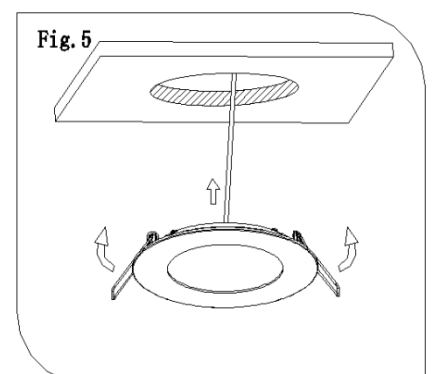
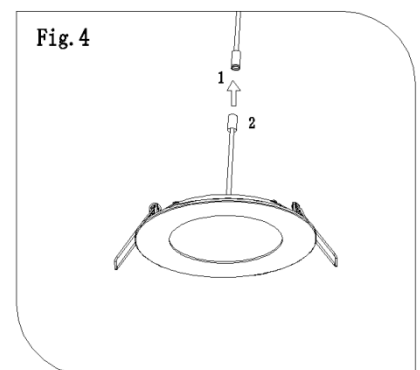
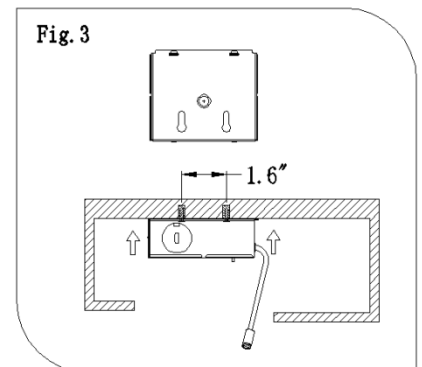
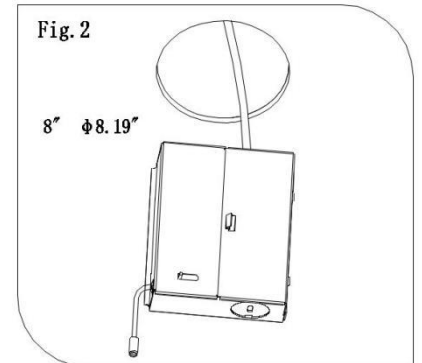
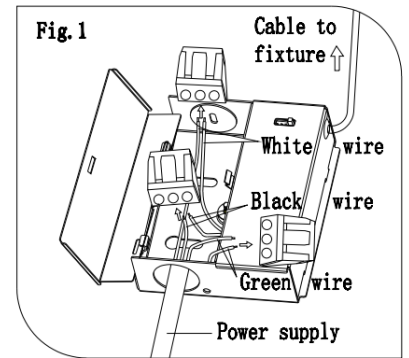
1. Open the hardwire box swing cover and remove the appropriate knockout(s).
2. Insert the electrical supply cable through knockout and secure with a cable connector (sold separately).
3. Using connection terminal, connect green ground wire of cable to green wire on box. Connect white wire of cable to white wire of box. Connect black wire of cable to black wire of box. (Fig.1)
4. Place all wiring and connections back in to the box and close the cover.
5. Insert hardwire box through the mounting hole. (Fig.2)

New construction applications: Hardwire box shall be firmly secured to studs, joists, or similar fixed structural units.

Remodel applications: Hardwire box shall be firmly secured to studs, joists, or similar fixed structural units.

FIXTURE INSTALLATION:

1. Make two holes in the wall, the spacing of the two holes is 1.6 inch. fix the hardwire box with screws. (Fig 3)
2. Connect the fixture to the hardwire box by inserting and twisting the male/female



Connectors. (Fig.4)

3.Push spring loaded clips on the fixture upwards and insert fixture base in to the Mounting hole. Release the clips and fixture will be pulled flush to the ceiling(Fig.5)

4.Once assembly is complete, turn on power to confirm fixture is working properly.