

A21 EMERGENCY LED LIGHT BULB

Install Guide and Manual

Please read instructions carefully before use



Specification

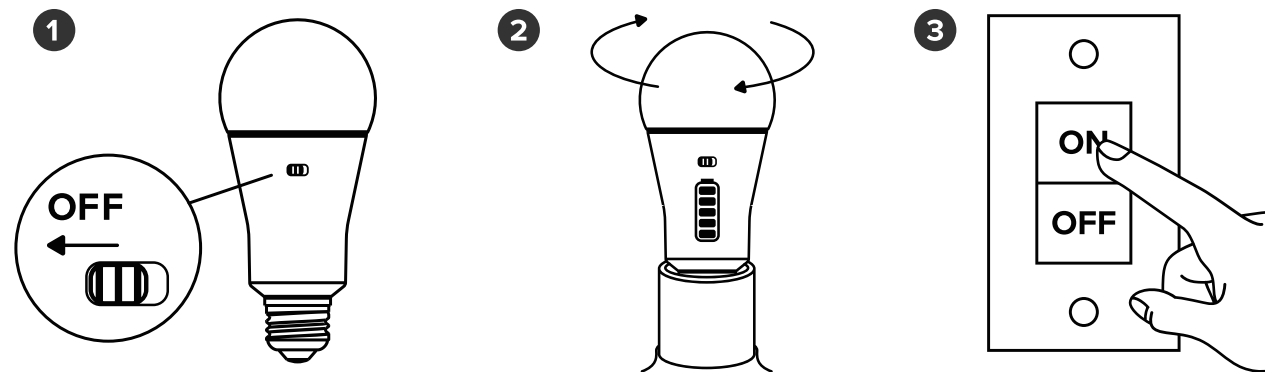
Input Power	110~120VAC, 60Hz
Output	800 Lumens
Power Consumption	8W
Color Temperature	3000K
Base	E26
Size	A21, Φ 65*142 mm
Dimmable	None

STANDARD USE

1. Turn the switch to the **OFF** position.
2. Screw the bulb into a 120V light fixture that accepts an E26 base.
3. Turn on the light switch. **The bulb is now ready for standard use.**
4. Once charged, the bulb is ready for emergency or portable use.

In case of power outage:

5. When used in a 120V light fixture, the bulb will turn on automatically if the power goes out.



CAUTIONS

- ◆ The A21 Emergency LED Light bulb lasts for 3-12 hours on a fully charged battery depending on the selected brightness setting.
- ◆ It takes 11 hours to fully charge the A21 Emergency LED Light Bulb
- ◆ Remember to recharge the bulb periodically if it is not connected to a light fixture.

WARNING

Switch on bulb base must be set to OFF when installed in a light fixture to avoid a short circuit

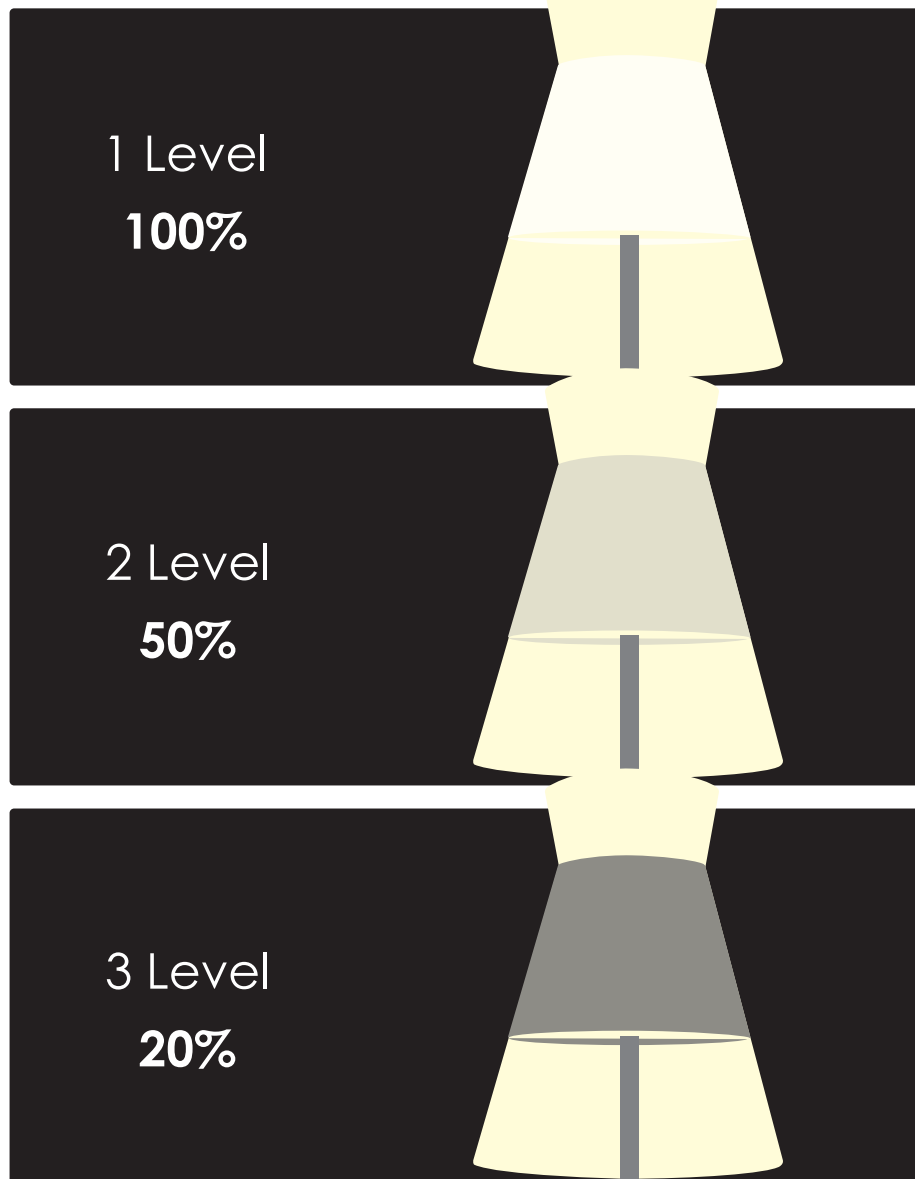
- ◆ DO NOT submerge bulb in water.
- ◆ When using cap with hook in portable applications hang the bulb in a secure place
- ◆ Abide by related regional and local laws or regulations.
- ◆ Check for damage during shipping prior to install. If the product is damaged do not use it.

EMERGENCY SITUATION

Battery	1800mAh
Volts	3.7V
Charging Time	11 Hours
Discharge Time	3-12 Hours

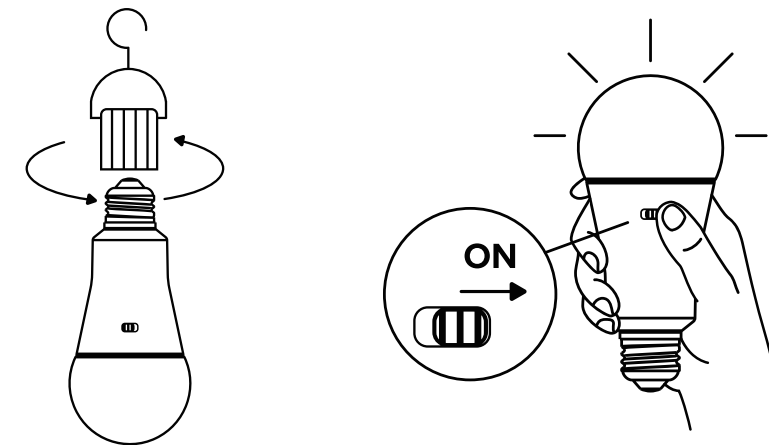
Brightness: 3 Levels Brightness Adjustment

200^{lm} /100^{lm} /50^{lm} (Toggle the switch repeatedly to toggle)



PORTABLE USE

1. Remove the fully charged light bulb from your light fixture.
2. Screw the light bulb into the provided cap with hook(optional).
3. Move the switch to the **ON** position to turn on the light.
4. Use the hook to hang the bulb where needed (i.e., camping tent, closets, etc.)



Brightness adjustment:

1. In emergency mode, toggling the switch on and off within 5 seconds (fluctuating the red switch back and forth) will activate the dimming mode, with brightness levels of 100%, 50%, and 20%, cycling in sequence. If the switch is toggled for longer than 5 seconds, the brightness level will default to 100% with each switch. Note: If AC power is turned on once again in any brightness mode, the default brightness level will be 100% in emergency mode.
2. During a power outage, brightness adjustment can be controlled using the power switch. For prolonged emergency lighting, it is recommended to adjust the brightness to the second or third level.