

DESCRIPTION

Reduce energy and maintenance costs by replacing existing fluorescent vapor tight fixtures with this more efficient and longer lasting LED vapor tight fixture. Featuring a built-in battery backup, this fixture will continue to operate for at least 90 minutes in the event of a power outage.

FEATURES

- Efficiently replaces a 4-lamp fluorescent fixture
- Up to 131 LPW ultra-high efficiency delivers superior performance over older fluorescent fixtures
- Built-in emergency backup operates fixtures for at least 90 minutes in the event of a power failure; recharges in 12 hours
- Self-tests monthly and yearly; red indicator light is located inside the housing
- I65 rated, meaning that the fixture is built to entirely restrict the entry of dust, and it is protected from being sprayed with water jets without being damaged
- Single integrated fixture for easier installation
- 0-10V dimming

LISTINGS

- UL rated for wet locations
- FCC
- IP65
- IK10
- DesignLights Consortium® 5.1 Standard - meets the requirements for the highest DLC qualification for efficacy and lumen maintenance; DLC PN: PLTM2441321

PERFORMANCE

- CRI: 80
- 5000K
- LED L70 Life Hours: >100,000

EMERGENCY OPERATION

- Operation: 90 minutes
- Charging Time: 12 Hours
- Input Voltage: 100-277VAC
- Output Power: 10W
- Output Lumens: 1000 to 1500

ELECTRICAL

- THD: <20%
- Power Factor: >0.9
- Input Voltage: 120-277V
- Dimmable power supply (0-10V)
- Surge Protection: 2kV

THERMAL

- Surface Mounted Operating Temperature: -40°F to 122°F (-40°C to 50°C)

INSTALLATION

- Designed for surface mounting (mounting hardware included) or suspended mounting with included V-hooks (chain sold separately); see installation instructions for more information

project name	type
catalog number	
comments	voltage
approved by	date



CONSTRUCTION

- Polycarbonate housing with light gray finish and aluminum latches
- Frosted PC lens protects LEDs while evenly distributing light and reducing glare

WARRANTY

- 5-year limited warranty; see pltsolutions.com for warranty details

APPLICATIONS

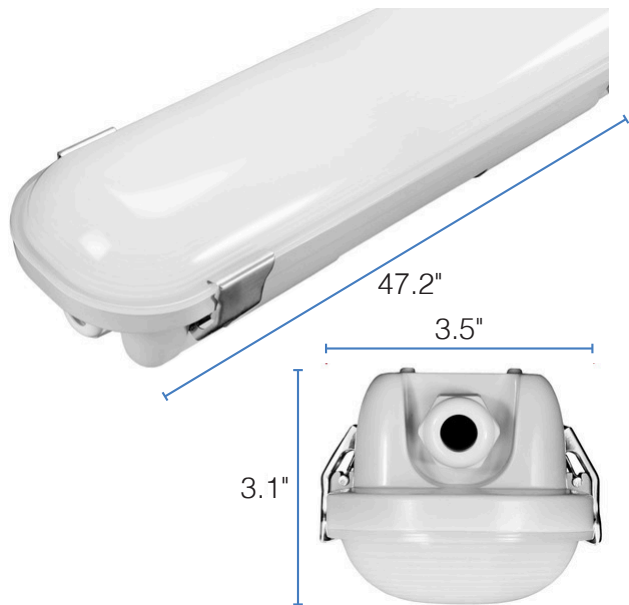
- Utility Lighting
- Stairwell Lighting
- Parking Garages
- Hallways

PERFORMANCE SUMMARY

Item #	Watts	Lumens	LPW	CCT	CRI	Dimming	Voltage	Replaces	Emergency Operation	Recharge Time	Emergency Operation Lumens	Length	DLC #	DLC Level
PLT-90354	65	8515	131	5000K	80	0-10V	120-277V	4 Lamp Fluorescent	90 Minutes	12 Hours	1000 to 1500	4'	PLTM 2441321	5.1 Standard

*See Selectable Table for full breakdown

DIMENSIONS



DIMENSIONS

Length: 47.2"

Depth: 3.1"

Width: 3.5"

Weight: 4.4 lbs

PHOTOMETRICS

