



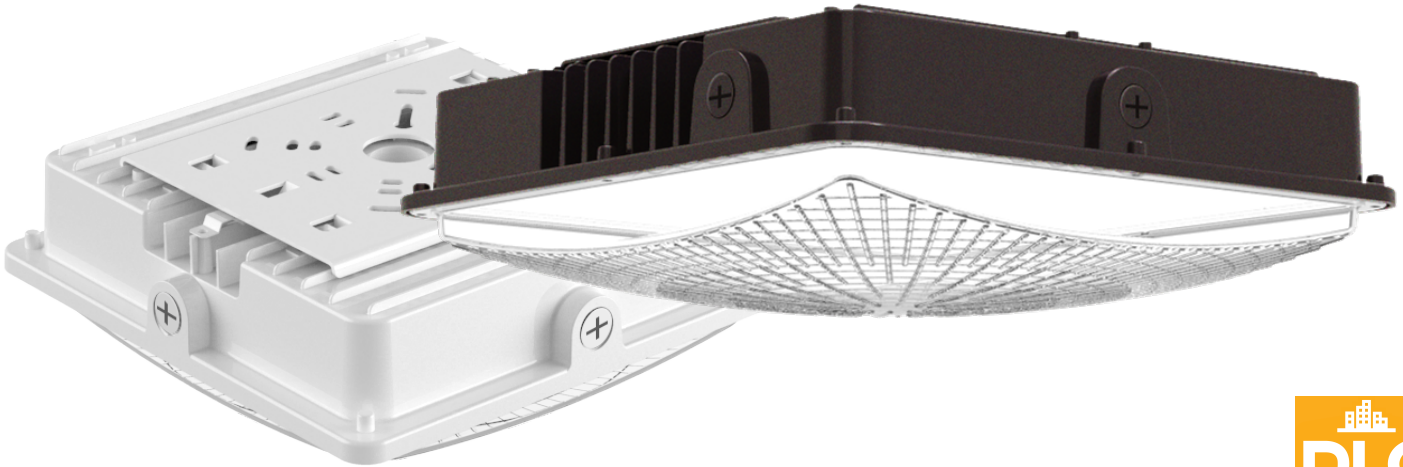
LED CANOPY FIXTURES

DESCRIPTION

35W-120W LED CANOPY LIGHT | 120–277VAC, 50-60HZ | 5000K | IP65

APPLICATION

Entryways, Exterior Canopies, Hallways & Stairways, Perimeter Lighting, Security



PRODUCT FEATURES

- Low-profile, stylish design with durable bronze powder coat finish
- Powered by 0–10V dimming LED drivers
- 2 way of installation: surface mount with J-box or pendant*
- Ambient operating temperature: $-40^{\circ}\text{C}/-40^{\circ}\text{F}$ to $50^{\circ}\text{C}/122^{\circ}\text{F}$
- UL listed for wet locations, IP65
- 4KV surge protection
- LED L70 Life Hours - $\geq 100,000$ hours
- Power Factor: >0.95
- THD: $<20\%$
- Meets FCC Part 15, Part B, Class A standards for conducted and radiated emissions
- DLC 5.1 Premium

**Additional accessories required. Call 1-800-624-4488 for more information.*



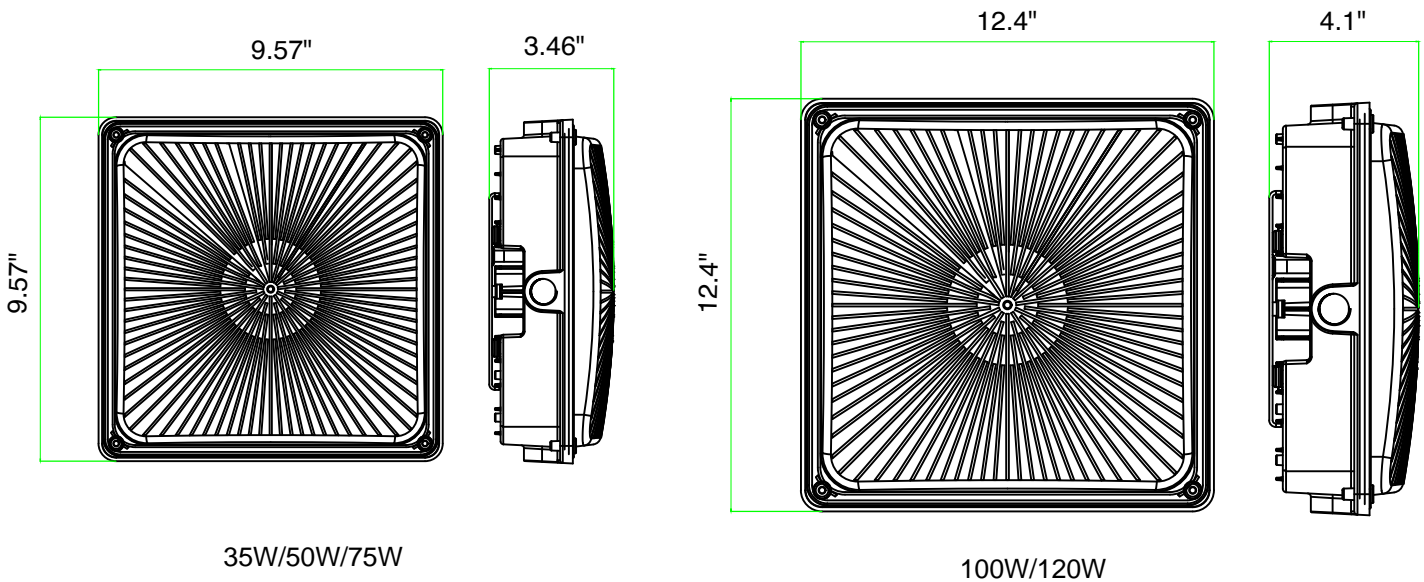
LED CANOPY FIXTURES

ELECTRICAL SPECIFICATIONS

Model #	Watt	Lumens	Dimming	CCT	LPW	CRI	Volt	Chips	SPD	Working Temp	IP Rating	Legacy Equivalent	DLC 5.1 Premium
PLT-13014	35W	4500 lm	0-10V	5000K	130 lm/w	>70	120-277VAC	Lumiled 2835	4KV	-40~50° C	IP65	150W MH	PLTBE15
PLT-13013	50W	6500 lm	0-10V	5000K	130 lm/w	>70	120-277VAC	Lumiled 2835	4KV	-40~50° C	IP65	175W MH	PLTBE25
PLT-13012	75W	9700 lm	0-10V	5000K	130 lm/w	>70	120-277VAC	Lumiled 2835	4KV	-40~50° C	IP65	250W MH	PLTBE35
PLT-13016	100W	13,000 lm	0-10V	5000K	130 lm/w	>70	120-277VAC	Lumiled 2835	4KV	-40~50° C	IP65	400W MH	PLTBE45
PLT-13015	120W	15,600 lm	0-10V	5000K	130 lm/w	>70	120-277VAC	Lumiled 2835	4KV	-40~50° C	IP65	400W MH	PLTBE55

**Optional finishes or integrated sensor available via Special Order. Call 1-800-624-4488.*

PRODUCT DIMENSIONS





LED CANOPY FIXTURES

PHOTOMETRICS

