



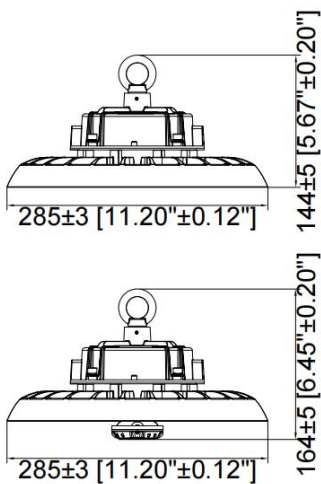
PLT-12691 - 150W, 5000K, 21,150 Lumens, Black Finish

DLC 5.1 Premium - PLTSN1B81422

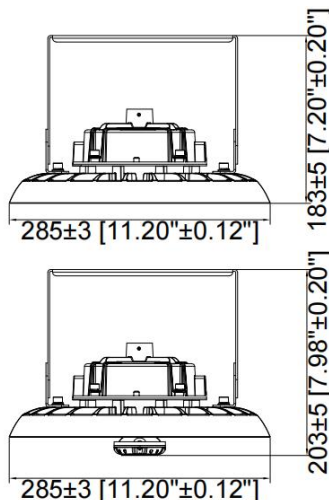


DIMENSIONS

Pendent



Surface-mounted*



*Surface Mount Bracket - PLTS-12378

ADVANTAGE

- UL, DLC 5.1 Premium
- Lumileds Chip.
- Input voltage 277-480VAC.
- Output constant current can be adjusted through output cable with 0-10V.
- No UV or IR in the beam.
- Easy to install and operate.
- Energy saving, long lifespan.
- Light is soft and uniform
- Instant start, NO flickering, NO humming.
- Green and eco-friendly without mercury.

APPLICATION

- Warehouse, factory and workshops;
- Highway toll station;
- Exhibition hall;
- Gymnasium and supermarkets, etc.

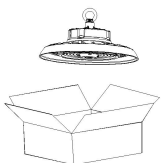
SPECIFICATIONS

OPTICAL	Input Power (Tolerance : ±5%)	150W					
	Color Temperature	3000K ^A	3500K ^B	4000K [*]	4500K ^{**}	5000K	5700K ^{***}
	Lumen (Tolerance : ±10%)	19950lm	20250lm	20550lm	20850lm	21150lm	21450lm
	Efficacy (Tolerance : ±3%)	133lm/W	135lm/W	137lm/W	139lm/W	141lm/W	143lm/W
	CRI	>80					
	Color Consistency	<6 Steps (or <6 SDCM)					
	UGR	<28 (X=4H, Y=8H; S/H=1; Reflectances: 70%/50%/20%)					
	Diffuser Type	PC Lens					
	Beam Angle (50%) (Tolerance : ±15%)	90 Degree					
ELECTRICAL	Input Voltage and Frequency	277-480VAC, 50/60Hz					
	PF (Tolerance : -3%)	≥0.9					
	THD (Tolerance : +5%)	≤20%					
	Flicker Percent	<5%					
	Driver Brand	SOSEN					
	Driver Model	SS-150SA-56BH					
	Driver Surge protection	L-N: 6kV, L/N-PE: 6kV					
	Dimming	0-10V dimming standard					
	Sensor type	Daylight Sensor ¹ , Occupancy Sensor ² , Multifunction Sensor ³ , Integral sensor Receptacle ⁴					
Optional Accessory	Motion microwave Sensor ⁵ , Motion PIR Sensor ⁶ Surge-protective Device ⁷						
MATERIALS	LED Brand	Lumileds					
	LED Type	SMD2835					
	LED QTY	240PCS					
	Housing	Die-cast aluminum					
	Housing Color	Black (White ^{****} or Customized ^{*****})					
	Waterproof Rating	WET (IP65)					
OTHERS	Operating Temperature	Without Motion Sensor: -40°C TO 50°C					
		With Motion Sensor: -30°C TO 50°C					
	Storage Temperature	-40°C TO 80°C					
	Operating Humidity	20% - 90% RH					
	Storage Humidity	10% - 95% RH					
Warranty	5 years						

PACKAGE

Lamp Type	Carton Size	Qty / Carton	Net Weight / Carton	Gross Weight / Carton
Pendent	300*300*130mm [11.81*11.81*5.12 inch]	1 PC	1.95KG [4.29 LBS]	2.65KG [5.83 LBS]
Surface-mounted	300*300*130mm [11.81*11.81*5.12 inch]	1 PC	2.55 KG [5.61 LBS]	3.25KG [7.15 LBS]

Tolerance of Carton Size: ±15 mm[±0.59 inch], Tolerance of Weight: ±10%.



Alternate Versions:

- *4000K Version - NPS-00047 Special Order. Call 1-800-624-4488
- **4500K Version - NPS-00048 Special Order. Call 1-800-624-4488
- ***5700K Version - NPS-00049 Special Order. Call 1-800-624-4488
- ^A3000K Version - NPS-00155 Special Order. Call 1-800-624-4488
- ^B3500K Version - NPS-00156 Special Order. Call 1-800-624-4488
- ****White Finish Version - PLT-12690
- *****Custom finish options available via Special Order. Call 1-800-624-4488

Optional Accessories:

- ¹Daylight Sensor - NPS-00014*
- ²Occupancy Sensor - PLT-12844
- ³Multifunction Sensor - NPS-00016*
- ⁴Integral Sensor Receptacle - NPS-00017*
- ⁵Motion Microwave Sensor - NPS-00041*
- ⁶Motion PIR Sensor - NPS-00042*
- ⁷Surge-protective Device - NPS-00029*
- Motion Sensor Remote - PLTS-12281

Special order items. Please call 1-800-624-4488 for more information

LIGHT DISTRIBUTION TESTING PARAMETERS

Luminaire Property

Luminaire Manufacturer:

Luminaire Category:

Lamp Catalog:

Number of Lamps:

Luminous Length (mm): -180

Luminous Height (mm):

Current: 0.541 A

Power Factor: 0.998

Luminaire Description:

Lamp Description:

Lumens per Lamp:

Luminous Width (mm): -180

Voltage: 277.0 V

Power: 149.65 W

Photometric Results

CIE Class: Direct

Measurement Flux: 20024.6 lm

Downward Ratio: 100%

Horizontal Diffuse Angle(10%,50%): H124.2,H85.5

Vertical Diffuse Angle(10%,50%): V124.6,V85.9

Luminaire Efficacy Rating (LER): 133.86

Max. Intensity: 10287.42 cd

S/MH(C0/C180): 1.33

Total Rated Lamp Lumens: 20024.6 lm

Efficiency: 100%

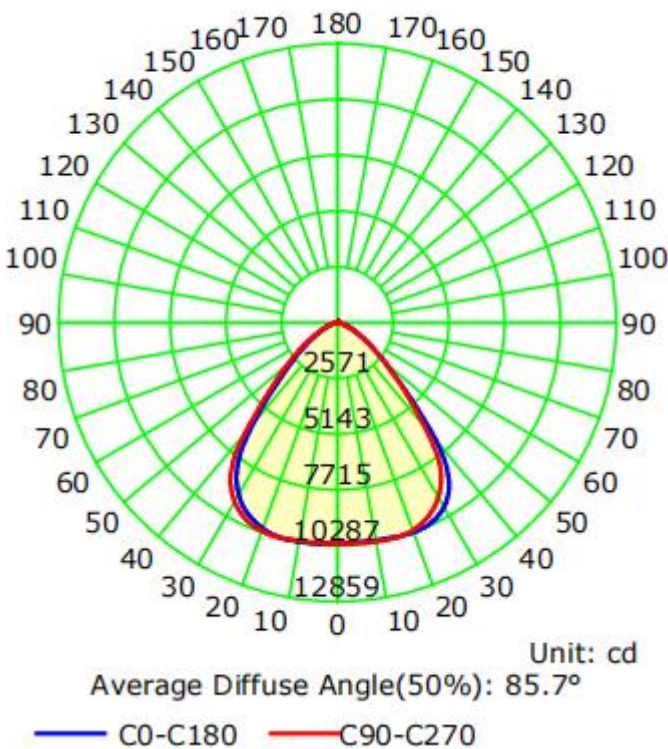
Upward Ratio: 0%

C0r0 Intensity: 10183.61 cd

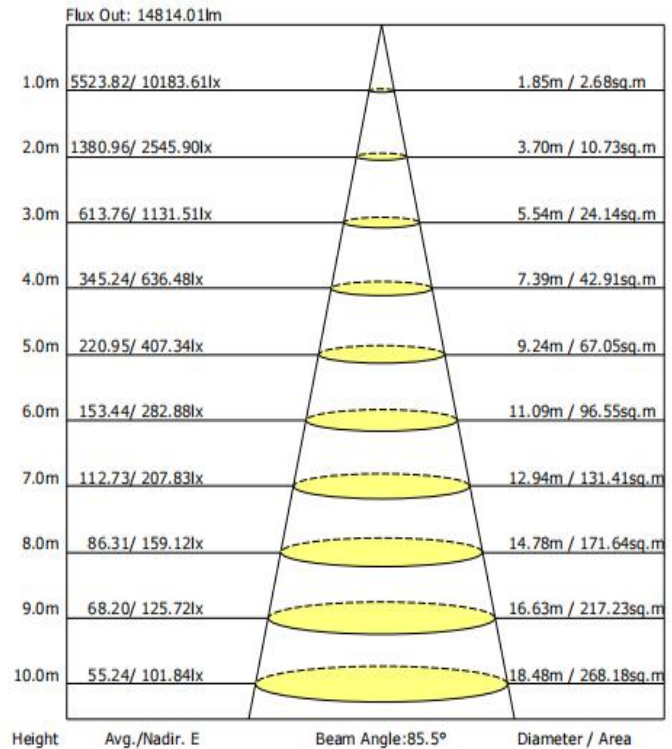
Pos of Max. Intensity: H22.5 V19

S/MH(C90/C270): 1.33

Luminous Intensity Distribution Curve



The Average Illuminance Effective Figure





NOTICE FOR USER

- Please turn off power before installation or maintenance.
- Verify that supply voltage is correct by comparing it with the luminaire label information. Please make sure the wiring is insulated.
- Installation, service, and maintenance of luminaires should be performed by a qualified licensed electrician.

TROUBLESHOOTING

Problem	Solution
Flickering Light	Turn off the power, then turn on again after 3 minutes. If the light continues to flicker, call a licensed electrician.
Fixture not turning on	Check the electrical connection.