



For more information, call
1-800-624-4488 or visit
1000Bulbs.com

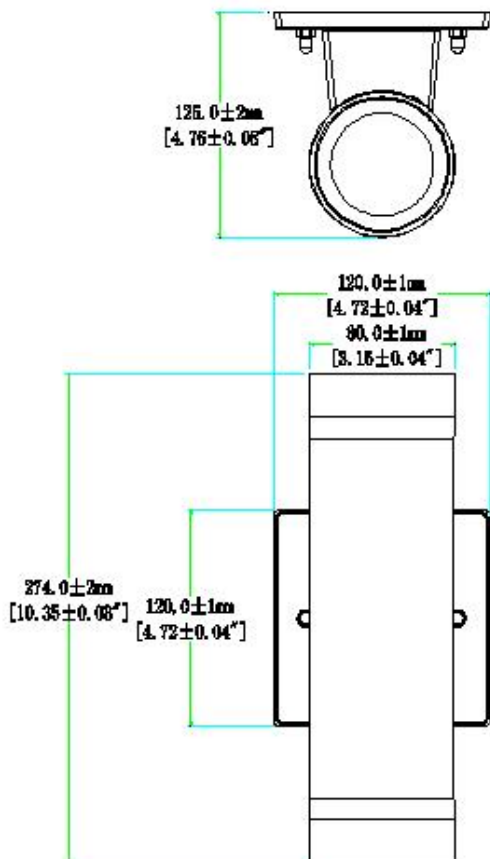


PLT-12970 -- 10/20/30W, Up to 3282 Lumens, 30/40/50K, Black Finish

- Direct and Indirect Light

| Wattage | CCT | Lumens | LPW |
|---------|-------|--------|-----|
| 30W | 3000K | 3274 | 109 |
| | 4000K | 3282 | 109 |
| | 5000K | 3154 | 105 |
| 20W | 3000K | 2194 | 110 |
| | 4000K | 2199 | 110 |
| | 5000K | 2113 | 106 |
| 10W | 3000K | 1080 | 108 |
| | 4000K | 1083 | 108 |
| | 5000K | 1041 | 104 |

DIMENSIONS



ADVANTAGE

- UL certificate
- Lumileds 2835
- Input voltage 120-277VAC .
- Output can be dimmed with 0-10V dimmers.
- No UV or IR in the beam.
- Wattage adjustable.
- Easy to install and operate.
- Energy saving, long lifespan.
- Light is soft and uniform.
- Instant start, NO flickering, NO humming.
- Green and eco-friendly without mercury.

APPLICATION

- Entrance lighting, courtyard lighting;
- Industrial lighting, Outdoor landscape lighting;
- Buildings, Hotels
- Wall lighting

SPECIFICATIONS

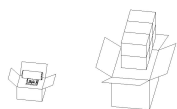
| | | | | |
|------------|-------------------------------------|------------------------|---------|---------|
| OPTICAL | Input Power (Tolerance : ±10%) | 30W/20W/10W | | |
| | Color Temperature | 3000K | 4000K | 5000K |
| | Lumen (Tolerance : -10%) | 3274LM/W | 3282LM | 3154LM |
| | Efficacy (Tolerance : -3%) | 109LM/W | 109LM/W | 105LM/W |
| | CRI | >80 | | |
| | Color Consistency | <8 Steps (or <8 SDCM) | | |
| | BUG | B1-U5-G1 | | |
| | Diffuser Type | Glass | | |
| | Beam Angle (50%) (Tolerance : ±15%) | 60Degree | | |
| ELECTRICAL | Input Voltage and Frequency | 120-277VAC 50/60Hz | | |
| | PF (Tolerance : -3%) | ≥0.9 | | |
| | THD (Tolerance : +5%) | ≤20% | | |
| | Flicker Percent | <30% | | |
| | Driver Brand | HB | | |
| | Driver Model | HB-FL19F035B | | |
| | Driver Surge protection | LL-N :6KV, L&N-PE:6KV | | |
| | Dimming | 0-10V dimming standard | | |
| | Sensor Type | No Sensor | | |
| | Optional Accessory | NA | | |
| MATERIALS | LED Brand | LUMILEDS | | |
| | LED Type | SMD 2835 | | |
| | LED QTY | 64*2 PCS | | |
| | Housing | Die-cast aluminum | | |
| | Housing Color | All Color | | |
| | Waterproof Rating | WET (IP65) | | |
| OTHERS | Operating Temperature | -40°C TO 50°C | | |
| | Storage Temperature | -40°C TO 80°C | | |
| | Operating Humidity | 20% - 90% RH | | |
| | Storage Humidity | 10% - 95% RH | | |
| | Warranty | 5 years | | |

PACKAGE

*See Selectable Table for full breakdown.

| | Size | Qty / Carton | Net Weight / Carton | Gross Weight / Carton |
|-----------|---------------|--------------|---------------------|-----------------------|
| Outer box | 390*270*275MM | 6PCS | 10.5KG | 11.5KG |

Tolerance of Carton Size: ±15 MM, Tolerance of Weight: ±10%.



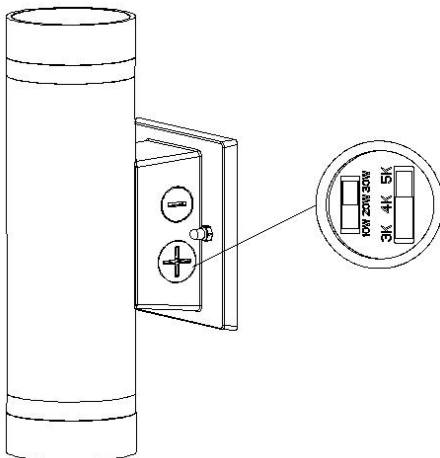
NOTICE FOR USER

- Please turn off power before installation or maintenance.
- Verify that supply voltage is correct by comparing it with the luminaire label information. Please make sure the wiring is insulated.
- Installation, service, and maintenance of luminaires should be performed by a qualified licensed electrician.

TROUBLESHOOTING

| Problem | Solution |
|------------------------|---|
| Flickering Light | Turn off the power, then turn on again after 3 minutes. If the light continues to flicker, call a licensed electrician. |
| Fixture not turning on | Check the electrical connection. |

SPECIAL FUNCTIONS INSTRUCTION:



Wattage adjustable instruction

Set the wattage adjustable knob to desired wattage. The power of the lamp will change to the corresponding wattage.

Adjustable wattage range 25%-100%.

Note: Please turn off the power before adjusting the wattage.

Color tunable instruction

- 1, The color temperature of the lamp turns to 3000K when the switch is set to 3K;
- 2, The color temperature of the lamp turns to 4000K when the switch is set to 4K;
- 3, The color temperature of the lamp turns to 5000K when the switch is set to 5K;

Note: Please turn off the power before adjusting the color temperature.