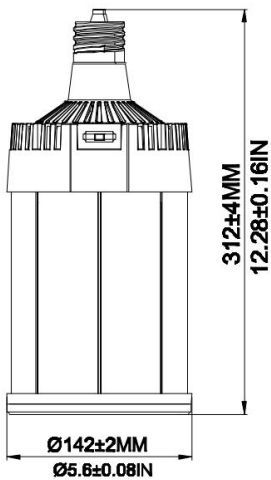




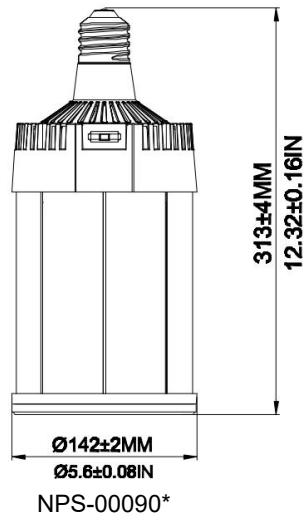
**PLT-12962** - 225/338/450W, 3000/4000/5000K, EX39 Base, 277-480V

## DIMENSIONS

**EX39**



**E39**



\*Special Order, call 1-800-624-4488

## NOTICE FOR USER

- Please turn off power before installation or maintenance.
- The input voltage of the fixture and lamps should match.
- Installation, service, and maintenance of luminaires should be performed by a qualified licensed electrician.
- Suitable for damp locations. Do not use with dimmers.
- Make sure to remove or bypass the ballast in the fixture before installing the lamp.
- Suitable for use in enclosed luminaires, min. Luminaire compartment dimensions: 470\*380\*380MM.

## ADVANTAGE

- UL cUL certificate.
- E39 EX39 lamp base.
- Lumileds Chip, high CRI.
- Internal driver, input voltage 277-480VAC.
- Meet 4kV surge immunity level.
- Long lifespan and good heat dissipation ,With Sunon fan
- Two dimming options are available, continuous dimming or segmented dimmer
- Fits many different fixtures to replace traditional lamps.

## APPLICATION

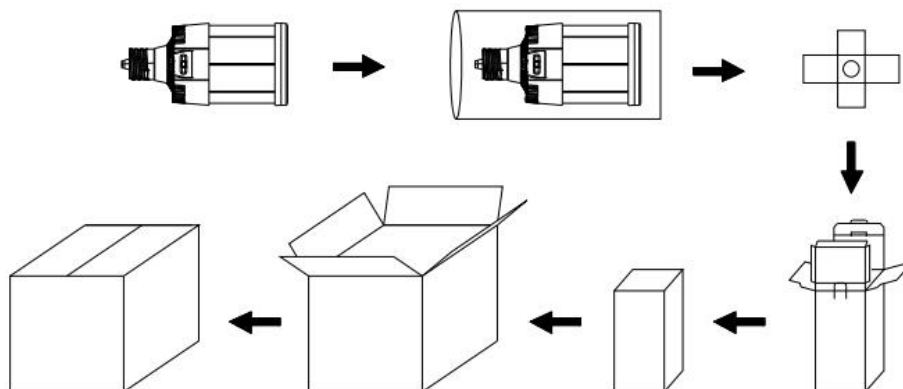
- Replacement Lamps for Outdoor
- Pole/Arm-mounted Decorative Luminaires(Type B)

|                   |                                     |  |          |          |
|-------------------|-------------------------------------|--|----------|----------|
| <b>OPTICAL</b>    | Input Power (Tolerance : ±10%)      | 450W (225W/338W/450W via switch)                         |          |          |
|                   | Color Temperature (Color Tunable)   | 3000K  | 4000K    | 5000K    |
|                   | Lumen (Tolerance : ±10%)            | 62500 LM   | 68000 LM | 65000 LM |
|                   | Efficacy (Tolerance : ±3%)          | 143LM/W  | 160 LM/W | 150 LM/W |
|                   | CRI                                 | >80  |          |          |
|                   | Color Consistency                   | <7 Steps (or <7 SDCM)                                    |          |          |
|                   | Diffuser Type                       | Clear PC   |          |          |
|                   | Beam Angle (50%) (Tolerance : ±25%) | 280 Degree   |          |          |
| <b>ELECTRICAL</b> | Input Voltage and Frequency         | 277-487VAC, 50/60Hz                                      |          |          |
|                   | PF (Tolerance : -3%)                | ≥0.9   |          |          |
|                   | THD (Tolerance : +5%)               | ≤20%   |          |          |
|                   | Flicker Percent                     | <30%   |          |          |
|                   | Driver Surge protection             | L-N: 4kV   |          |          |
|                   | Dimmable                            | 0-10V dimming standard (through manual knob on the lamp) |          |          |
|                   | Equivalent                          | 1500W MHL/HPS/HID  |          |          |
| <b>MATERIALS</b>  | LED Brand                           | Lumileds   |          |          |
|                   | LED Type                            | SMD2835  |          |          |
|                   | LED QTY                             | 990 pcs of 3000K + 990 pcs of 5000K                      |          |          |
|                   | Housing                             | PC + Aluminum  |          |          |
|                   | Housing Color                       | Any colors   |          |          |
|                   | Waterproof Rating                   | DAMP   |          |          |
| <b>OTHERS</b>     | Operating Temperature               | -40°C TO 50°C  |          |          |
|                   | Storage Temperature                 | -40°C TO 80°C  |          |          |
|                   | Operating Humidity                  | 20% - 70% RH   |          |          |
|                   | Storage Humidity                    | 10% - 75% RH   |          |          |
|                   | Warranty                            | 5 years  |          |          |

## PACKAGE

|              | Carton Size                     | Qty / Carton | Net Weight / Carton | Gross Weight / Carton |
|--------------|---------------------------------|--------------|---------------------|-----------------------|
| Inner Carton | 150*150*360 MM/5.9*5.9*14.2IN   | 1 PC         | 1.68KG/3.7lb        | 2KG/4.4lb             |
| Outer Carton | 470*320*375 MM/18.5*12.6*14.8IN | 6 PCS        | 10.2KG/22lb         | 14.5KG/31.3lb         |

Tolerance of Outer Carton Size: ±5 MM/±0.59IN, Tolerance of Weight: ±10%.



## LIGHT DISTRIBUTION TESTING PARAMETERS

Remark: The testing data comes directly from the product test.

### Luminaire Property

Luminaire Manufacturer:

Voltage: 276.8 V

Power: 438.89 W

Current: 1.611 A

Power Factor: 0.984

### Photometric Results

CIE Class: General Diffuse

Measurement Flux: 71746.4 lm

Downward Ratio: 50%

Horizontal Diffuse Angle(10%,50%): H331.1,H286.6

Vertical Diffuse Angle(10%,50%): V332.6,V286.7

Luminaire Efficacy Rating (LER): 163.52

Max. Intensity: 8135.08 cd

S/MH(C0/C180): 4.69

Total Rated Lamp Lumens: 71746.4 lm

Efficiency: 100%

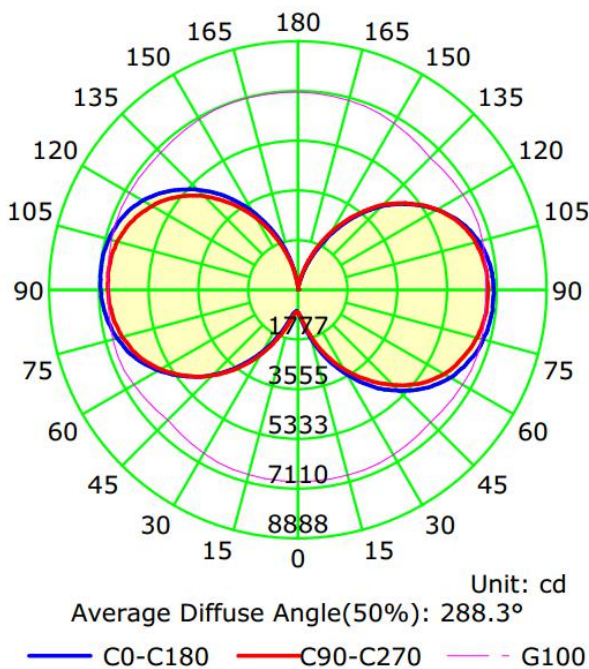
Upward Ratio: 50%

Central Intensity: 852.74 cd

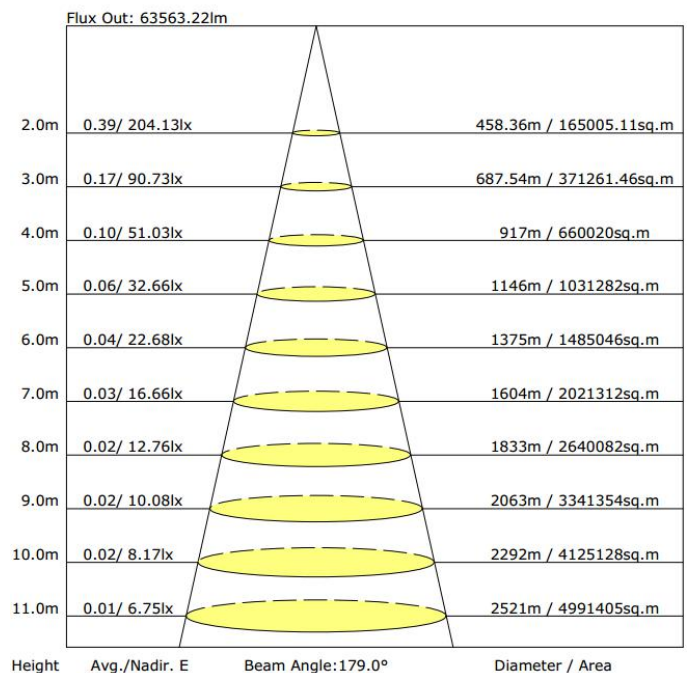
Pos of Max. Intensity: H0 V87

S/MH(C90/C270): 4.62

Luminous Intensity Distribution Curve



The Average Illuminance Effective Figure



## TROUBLESHOOTING

| Problem                | Solution  |
|------------------------|---|
| Flickering light       | Turn off the power, then turn on again after 3 minutes. If the light continues to flicker, call a licensed electrician. |
| Light is not coming on | Check the electrical connection.  |