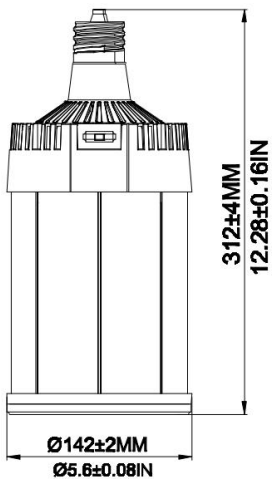




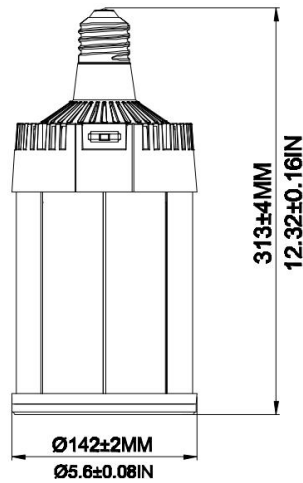
PLT-12961 - 180/270/360W, 3000/4000/5000K,
EX39 Base, 277-480V

DIMENSIONS

EX39



E39



NPS-00088*

*Special Order, call 1-800-624-4488

ADVANTAGE

- UL cUL certificate.
- E39 EX39 lamp base.
- Lumileds Chip, high CRI.
- Internal driver, input voltage 277-480VAC.
- Meet 4kV surge immunity level.
- Long lifespan and good heat dissipation ,With Sunon fan
- Two dimming options are available, continuous dimming or segmented dimmer
- Fits many different fixtures to replace traditional lamps.

NOTICE FOR USER

- Please turn off power before installation or maintenance.
- The input voltage of the fixture and lamps should match.
- Installation, service, and maintenance of luminaires should be performed by a qualified licensed electrician.
- Suitable for damp locations. Do not use with dimmers.
- Make sure to remove or bypass the ballast in the fixture before installing the lamp.
- Suitable for use in enclosed luminaires, min. Luminaire compartment dimensions: 470*380*380MM.

APPLICATION

- Replacement Lamps for Outdoor
- Pole/Arm-mounted Decorative Luminaires(Type B)

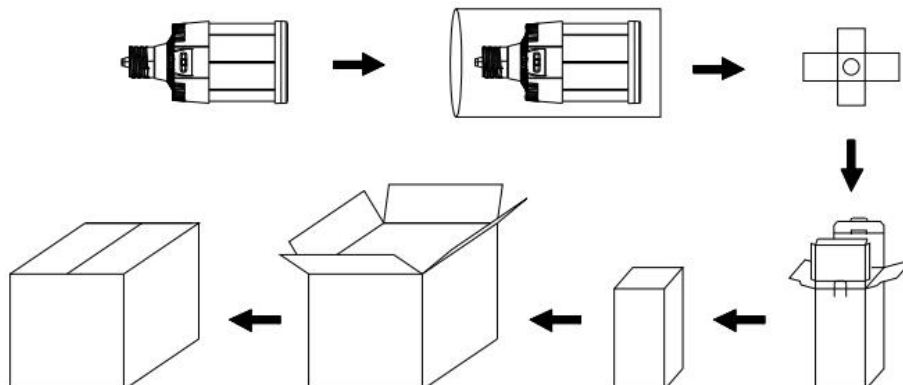
SPECIFICATIONS

OPTICAL	Input Power (Tolerance : $\pm 10\%$)	360W (180W/270W/360W via switch)		
	Color Temperature (Color Tunable)	3000K	4000K	5000K
	Lumen (Tolerance : $\pm 10\%$)	52000 LM	58000 LM	54000 LM
	Efficacy (Tolerance : $\pm 3\%$)	145LM/W	160 LM/W	151 LM/W
	CRI	>80		
	Color Consistency	<7 Steps (or <7 SDCM)		
	Diffuser Type	Clear PC		
	Beam Angle (50%) (Tolerance : $\pm 25\%$)	280 Degree		
ELECTRICAL	Input Voltage and Frequency	277-487VAC, 50/60Hz		
	PF (Tolerance : -3%)	≥ 0.9		
	THD (Tolerance : +5%)	$\leq 20\%$		
	Flicker Percent	<30%		
	Driver Surge protection	L-N: 4kV		
	Dimmable	0-10V dimming standard (through manual knob on the lamp)		
	Equivalent	1000W MHL/HPS/HID		
MATERIALS	LED Brand	Lumileds		
	LED Type	SMD2835		
	LED QTY	812 pcs of 3000K + 812 pcs of 5000K		
	Housing	PC + Aluminum		
	Housing Color	Any colors		
	Waterproof Rating	DAMP		
OTHERS	Operating Temperature	-40°C TO 50°C		
	Storage Temperature	-40°C TO 80°C		
	Operating Humidity	20% - 70% RH		
	Storage Humidity	10% - 75% RH		
	Warranty	5 years		

PACKAGE

	Carton Size	Qty / Carton	Net Weight / Carton	Gross Weight / Carton
Inner Carton	150*150*360 MM/5.9*5.9*14.2IN	1 PC	1.65KG/3.63lb	1.9KG/4.2lb
Outer Carton	470*320*375 MM/18.5*12.6*14.8IN	6 PCS	9.9KG/21.8lb	13.8KG/31.3lb

Tolerance of Outer Carton Size: ± 5 MM/ ± 0.59 IN, Tolerance of Weight: $\pm 10\%$.



LIGHT DISTRIBUTION TESTING PARAMETERS

Remark: The testing data comes directly from the product test.

Luminaire Property

Luminaire Manufacturer:

Voltage: 277.3 V

Power: 356.60 W

Current: 1.307 A

Power Factor: 0.985

Photometric Results

CIE Class: General Diffuse

Measurement Flux: 59058.6 lm

Downward Ratio: 51%

Horizontal Diffuse Angle(10%,50%): H331.3,H287.3

Vertical Diffuse Angle(10%,50%): V332.6,V288.4

Luminaire Efficacy Rating (LER): 165.67

Max. Intensity: 6389.72 cd

S/MH(C0/C180): 4.42

Total Rated Lamp Lumens: 59058.6 lm

Efficiency: 100%

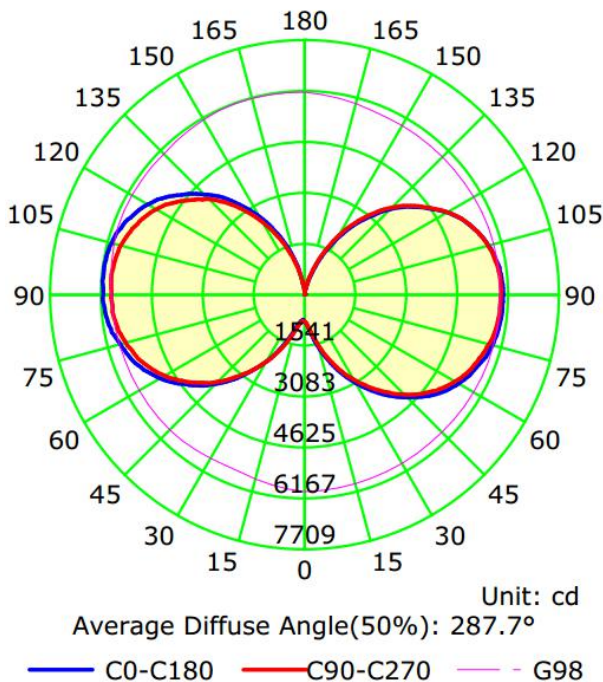
Upward Ratio: 49%

Central Intensity: 790.65 cd

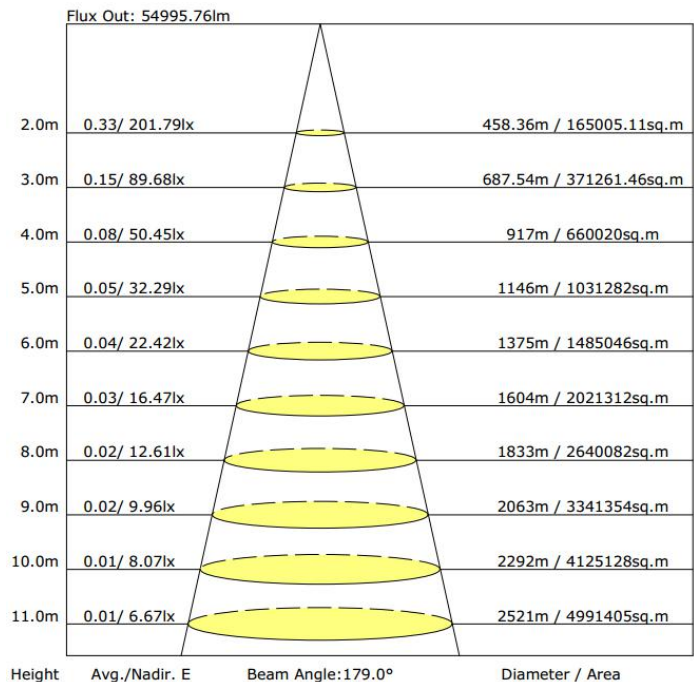
Pos of Max. Intensity: H180 V96

S/MH(C90/C270): 4.43

Luminous Intensity Distribution Curve



The Average Illuminance Effective Figure



TROUBLESHOOTING

Problem	Solution
Flickering light	Turn off the power, then turn on again after 3 minutes. If the light continues to flicker, call a licensed electrician.
Light is not coming on	Check the electrical connection.