



## LINEAR LED HIGH BAY FIXTURE

### WARNING, CAUTION, SAFETY AND INSTALLATION INSTRUCTIONS

#### WARNING

- Installation, service, and maintenance of luminaires should be performed by a qualified licensed electrician.
- Specification and dimensions are subject to change without notice.
- Account for small parts and destroy packing material, as these may be hazardous to children.
- Avoid direct eye exposure to the light source while it is on.

#### CAUTION

- Do not make or alter any open holes in the wiring enclosure or electrical components during installation.
- Verify that supply voltage is correct by comparing it with the luminaire label.
- All wiring connections should be capped with UL approved wire connections.
- The green ground screw is provided in the proper location. Do not relocate.
- Minimum 90° supply conductors.

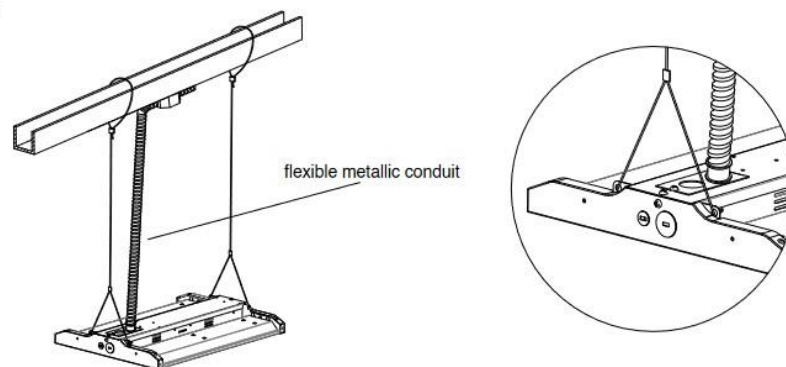
#### NOTICE

- Suitable for dry or damp locations.

#### Installation Instructions

- Remove the new LED high bay from the packaging and inspect for any damage. Handle the new fixture with care.
- **Chain Mount Example:**
  - Install the chain into the provided hanger.
  - Secure the other end of the chain to a structure using hardware rated for the load.
  - Install the wire hanger onto the side of the top LED channel.
  - Make sure the wiring hangers are fully engaged into the side holes on the top channel.
  - Connect the LED high bay wiring to line wire, black to black, white to white, and green to green. Use only UL listed wiring.
  - **\*\*NOTE:** Purple and pink leads inside the driver compartment are 0-10V (low voltage) dimming leads. Connect to dimming low voltage wiring only.
  - Clean all residue and fingerprints from the new LED high bay and lens. Double check all hanging hardware before moving onto the next installation.

A: Cable Kit

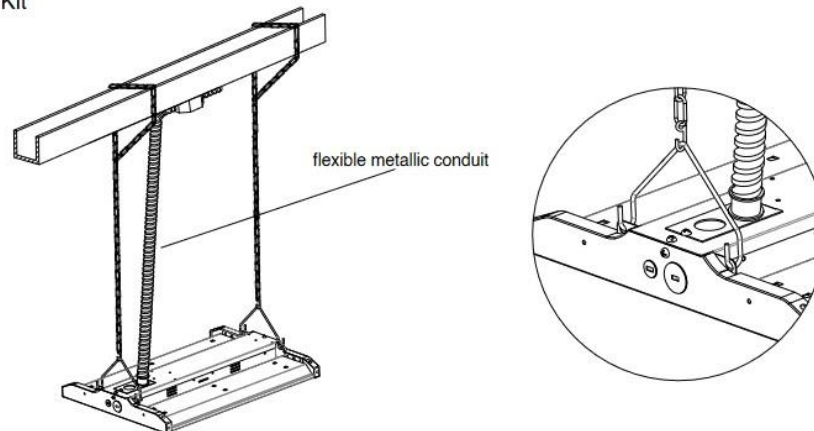




## LINEAR LED HIGH BAY FIXTURE

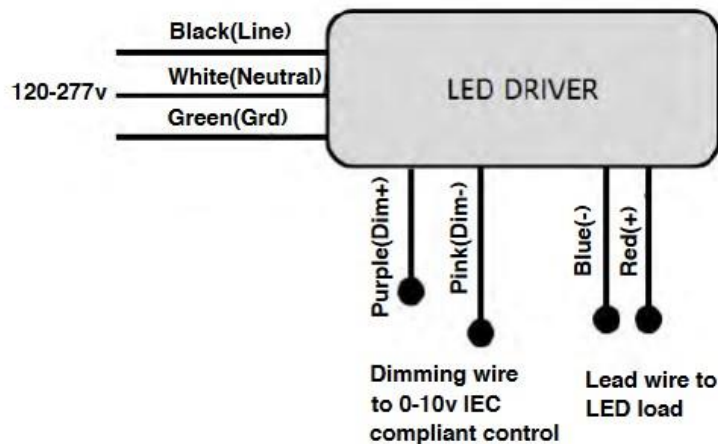
### WARNING, CAUTION, SAFETY AND INSTALLATION INSTRUCTIONS

B: Chain Kit



## Wiring Diagrams

### General Wiring Diagram



## ⚠ WARNING

- Before installing, servicing, or performing routine maintenance upon this equipment, follow these general precautions.
- To reduce the risk of death, personal injury, or property damage from fire, electric shock, falling parts, cuts/abrasions, and other hazards, read all warnings and instructions included with and on the fixture box and all fixture labels.
- Proper grounding is required to ensure safety.
- Power must be turned off at the breaker before installation or maintenance.
- This product must be installed in accordance with the applicable installation code by a person familiar with the construction and operation of the product and the hazards involved.



## LINEAR LED HIGH BAY FIXTURE

### WARNING, CAUTION, SAFETY AND INSTALLATION INSTRUCTIONS

- Wear gloves and eye protection at all times while installing, servicing, or performing maintenance on the luminaire, and avoid direct eye exposure to the light source while it is on.
- To prevent wiring damage or abrasion, do not expose wiring to edges of sheet metal or other sharp objects.
- Do not install damaged product. Inspect luminaire for damage that may have occurred during transit. If damaged, contact the manufacturer immediately.
- These instructions do not purport to cover all details or variations in equipment nor to provide every possible contingency to meet in connection with installation, operation, or maintenance. Should further information be desired or should particular problems arise which are not covered sufficiently for the purchaser's or owner's purposes, contact the manufacturer.

### **⚠ ADVERTENCIA**

- Antes de instalar, reparar o realizar el mantenimiento de rutina de este equipo, siga estas precauciones generales.
- Para reducir el riesgo de muerte, lesiones personales o daños a la propiedad por fuego, descarga eléctrica, caída de piezas, cortes / abrasiones y otros peligros, lea todas las advertencias y instrucciones incluidas con y en la caja del dispositivo y todas las etiquetas del dispositivo.
- Se requiere una conexión a tierra adecuada para garantizar la seguridad.
- Se debe apagar la energía en el disyuntor antes de la instalación o el mantenimiento.
- Este producto debe ser instalado de acuerdo con el código de instalación aplicable por una persona familiarizada con la construcción y operación del producto y los peligros involucrados.
- Utilice guantes y protección para los ojos en todo momento durante la instalación, el servicio o el mantenimiento de la luminaria, y evite la exposición directa de los ojos a la fuente de luz mientras está encendida.
- Para evitar daños o abrasiones en el cableado, no exponga el cableado a bordes de láminas de metal u otros objetos afilados.
- No instale un producto dañado. Inspeccione la luminaria en busca de daños que puedan haber ocurrido durante el tránsito. Si está dañado, comuníquese con el fabricante de inmediato.
- Estas instrucciones no pretenden cubrir todos los detalles o variaciones en el equipo ni proporcionar todas las posibles contingencias a cumplir en relación con la instalación, operación o mantenimiento. Si desea obtener más información o si surgen problemas particulares que no están suficientemente cubiertos para los propósitos del comprador o propietario, comuníquese con el fabricante.