



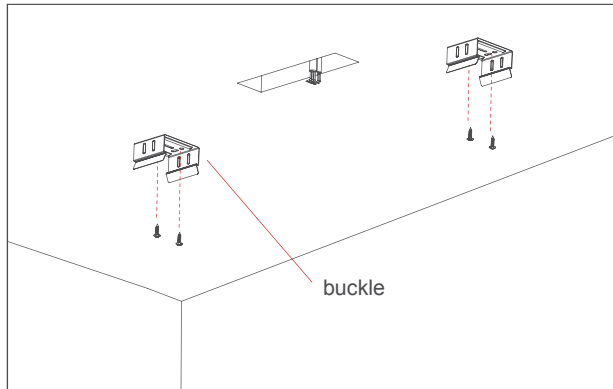
Please read all the instructions before attempting installation

- Please read the product specification carefully first to confirm that the working environment is in line with the condition on the specification before it is used.
- Please confirm the input voltage and frequency before use.
- The light must be installed by professional personnel
- If the power cord and case of the products are damaged, it will be regarded as disqualified product and should not be used.
- If external soft cable or wire of the product is damaged, the wire should be replaced by manufacturer or service agent or personnel with similar qualification to avoid danger.

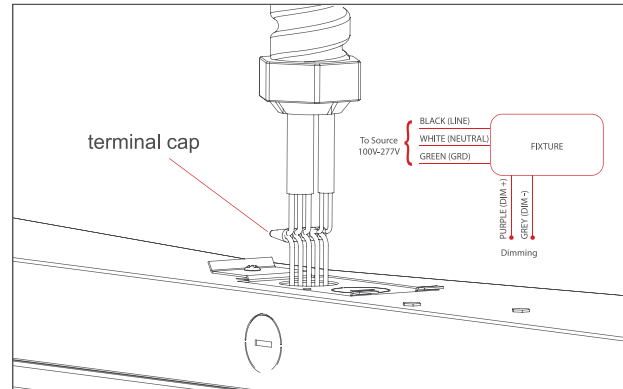
- This luminaire is designed to operate in ambient temperatures ranging from -4°F to 115°F and to be horizontally mounted facing down.
- This product must be installed in accordance with the applicable installation code by a person familiar with the construction and operation of the product and the hazards involved.
- This product is not available for several special environments, such as places with corrosive gas liquids or high pressure water vapor.
- CONSULT A QUALIFIED ELECTRICIAN TO ENSURE CORRECT BRANCH CIRCUIT CONDUCTOR
- CAUTION - RISK OF FIRE

Surface Mount Installation

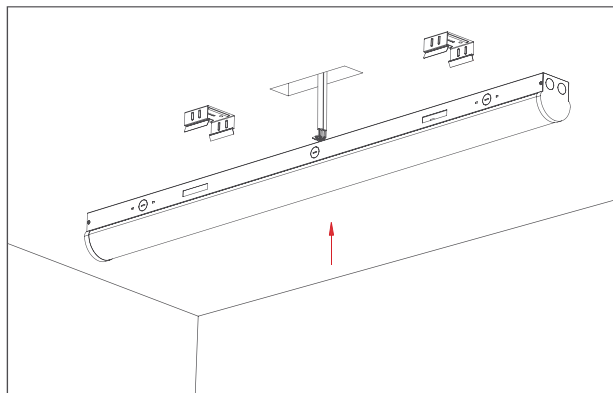
1. Fix the buckles in parallel by screws with distance 25.24" between each other.



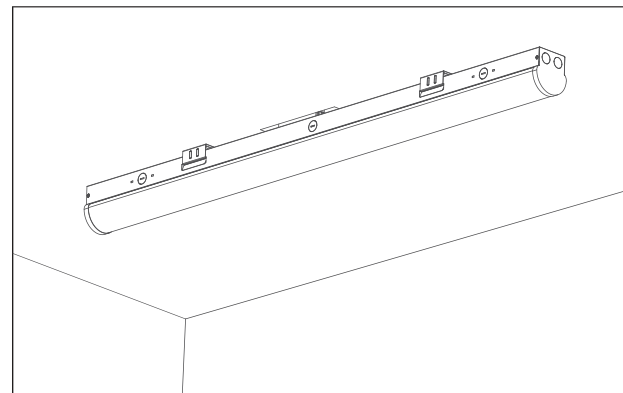
2. Turn off power, and make wiring connections with terminal cap. (see wiring instruction below).



3. Secure the strip with buckle.

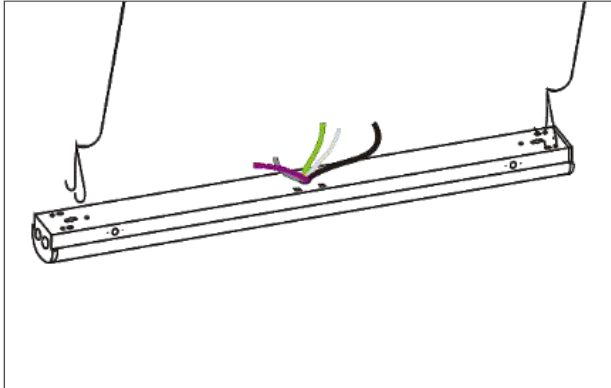


4. Installation Complete.

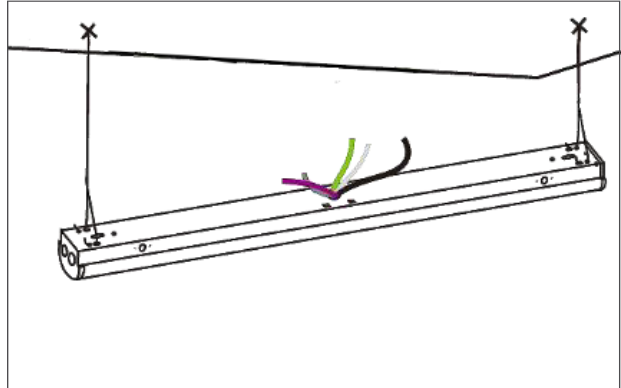


Suspension Mount (Method 1)

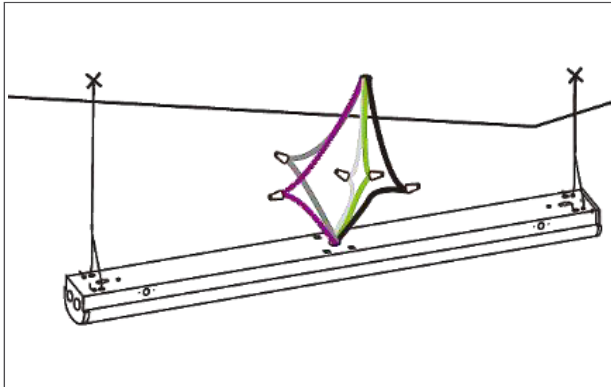
1. Insert a chain on each hook and insert hooks into the installation holes.



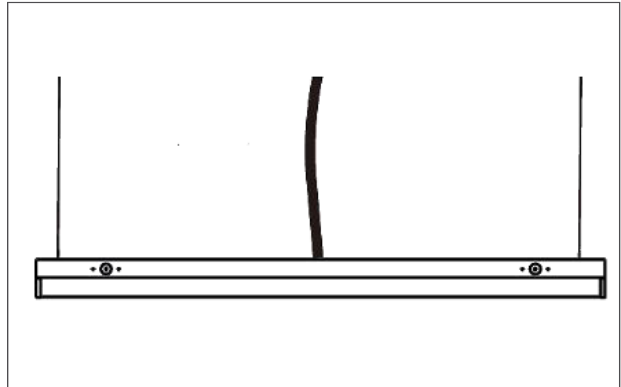
2. Attach the chain to the ceiling and adjust until balanced and secured.



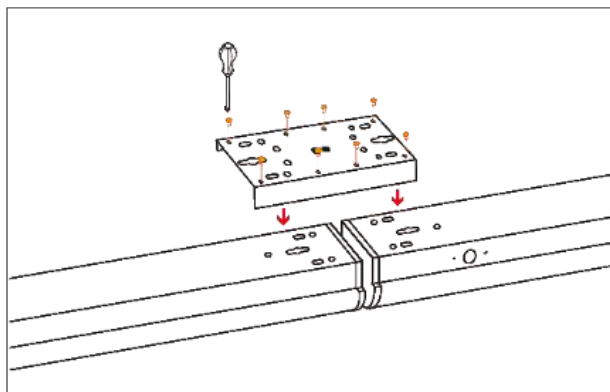
3. Take wires from the shielded cable and connect AC wires and Dimming wires (if used).



4. Wrap the wires and metal materials

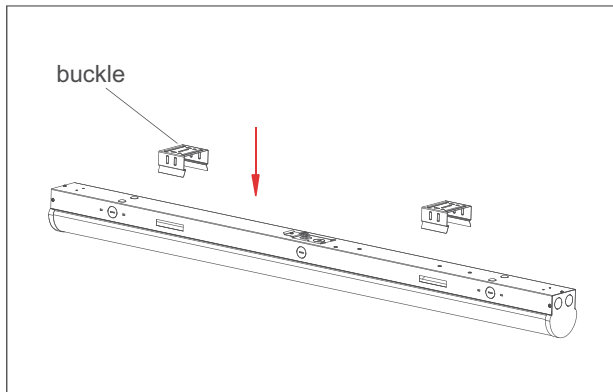


5. Optional seamless infinite splicing shown.

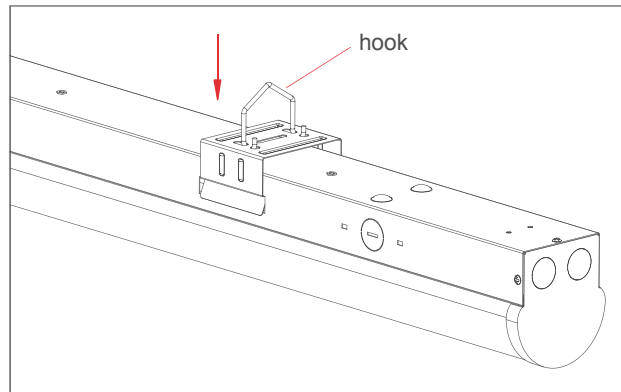


Suspension Mount (Method 2)

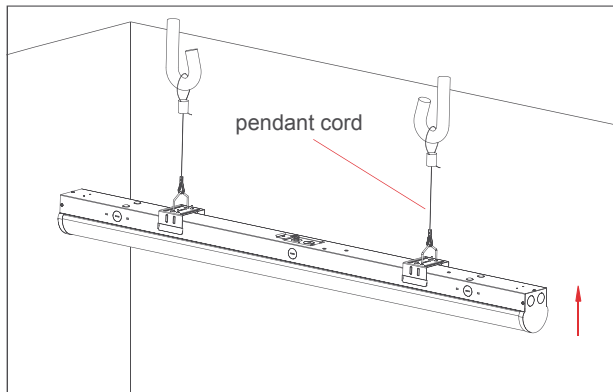
1. Snap Buckles into the fixture.



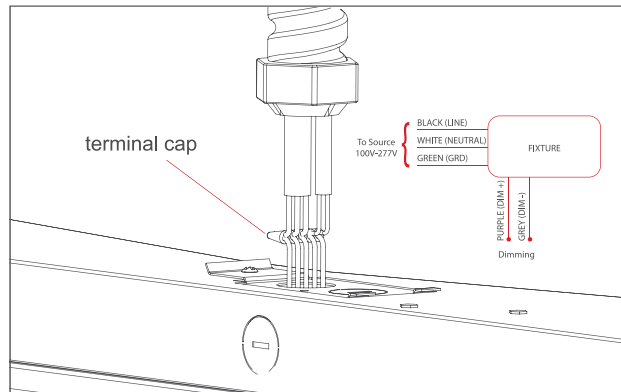
2. Attach the hook at the slotted holes of the buckle.



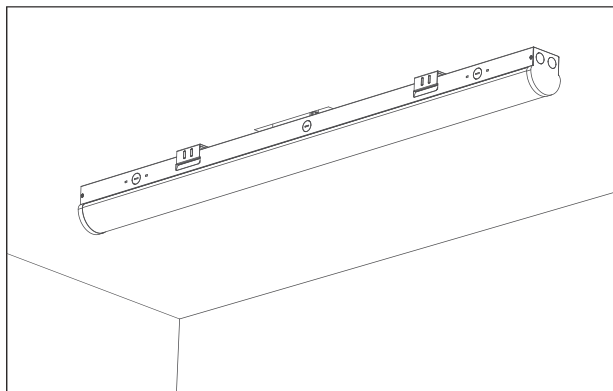
3. Loop buckles with pendant cord and suspend the fixture to the desired height.



4. Take the wires from the terminal caps, connect AC wires and 0-10V dimming wires (if needed).



5. Insert the terminal blocks and wires into the fixture.
6. Insert the wire terminal joint to the wire entry.



7. Optional seamless infinite splicing shown.

