



2 HOUR FIRE RATING
Tested to comply with UL 263, ASTM E119 & CAN ULC S101

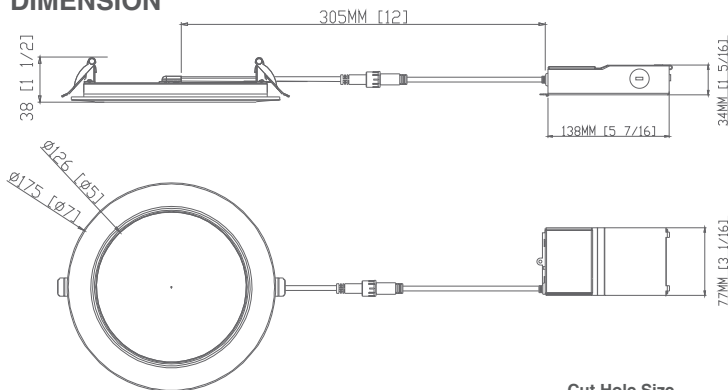


FEATURES

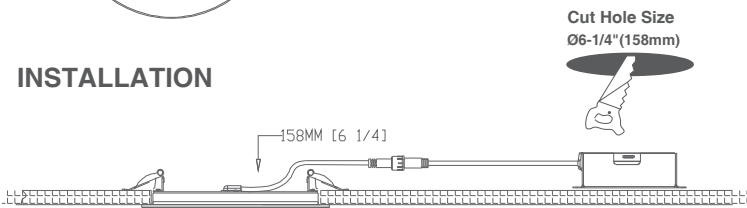
- 2-Hour fire rating providing a reinforced and heat resistant steel casing
- Selectable color temperature: 27K, 3K, 35K, 4K & 5K
- Junction box with commercial grade driver included
- Triac Dimmable, Certified airtight, IC rated
- Easy installation - NO ADDITIONAL BOX REQUIRED



DIMENSION



INSTALLATION



SPECIFICATIONS	
Model	PLT-12717
Watts	15W
Light Output(lm)	1100lm
Size	6in
Default Driver Input	AC120V,60HZ
Color Temperature(K)	5-color field selectable CCT - 2700K, 3000K, 3500K, 4000K, 5000K
CRI	90Ra (80Ra Optional*)
Dimming	Triac Dimming (100%-10%)
Power Factor	>0.9
Approved Location	Wet Location
Air Tight	Yes
Operating Temp.	(-4°F~104°F) -20~40°C
Beam Angle	120°

PACKAGE	
Weight.(g)	366g
Qty/CTN (pcs)	18pcs/CTN
Box Dimension	555*375*190mm
Gross Weight	8.78kg/CTN

* 80 CRI Version - NPS-00168 Special Order. Please call 1-800-624-4488.
 **Available via Special Order. Please call 1-800-624-4488.

Accessories

Extension Cables



NPS-00116**
4ft flexible connector, for use with Gimbal/ slim LED fixtures



NPS-00118**
10ft flexible connector, for use with Gimbal/ slim LED fixtures



NPS-00117**
6ft flexible connector, for use with Gimbal/ slim LED fixtures



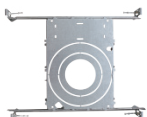
NPS-00119**
20ft flexible connector, for use with Gimbal/ slim LED fixtures

Goof Ring



PLT-12714
6" Goof Ring
Inside Diameter - 6.21"
Outside Diameter - 7.99"
Thickness - 1mm
For use with Gimbal/slim LED fixtures

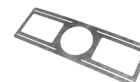
Mounting Plates



PLT-12987
3 3/4" x 6" new construction pre-mounting plate opening Ø3"(75mm), Ø4-3/8"(110mm), Ø6-1/4"(160mm)



NPS-00131**
6" new construction pre-mounting plate
Ø6-1/4"(159mm)



NPS-00132**
6" new construction pre-mounting plate
Ø6-1/4"(159mm)



Selectable Table

Wattage	CCT	Lumens	LPW
15	2700	1009	67
	3000	1039	69
	3500	1094	73
	4000	1110	74
	5000	1087	72