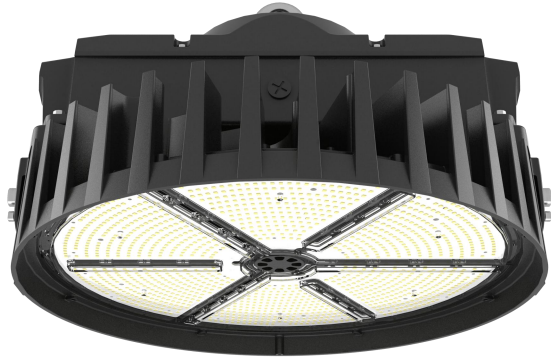
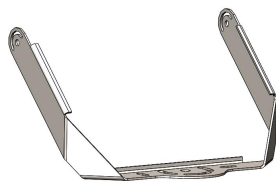
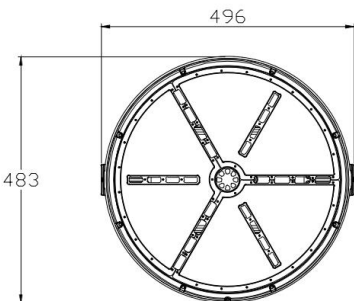
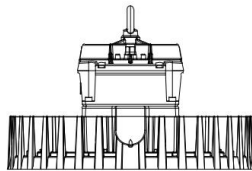
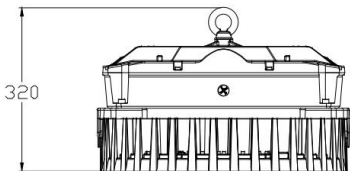


**PLT-12639** - 500/550/600W Selectable, 5000K



## DIMENSIONS



## ADVANTAGE

- Sufficient for UL cUL certificate
- Wattage adjustable
- Input voltage 120-277Vac
- No UV or IR in the beam
- Easy to install and operate
- Energy saving, long lifespan
- Instant start, NO flickering, NO humming
- Green and eco-friendly without mercury
- Output constant current can be adjusted through output cable with 0-10V.

## APPLICATION

- ◆ Gymnasium;
- ◆ Square plaza;
- ◆ Shipyard, Airport, wharf;
- ◆ High mast and Contour lighting, etc.

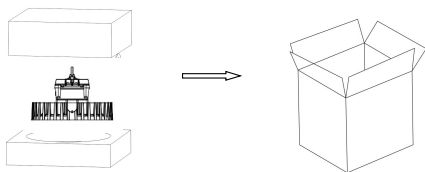
## SPECIFICATIONS

<b>OPTICAL</b>	Input Power (Tolerance : ±10%)	500W/550W/600W			
	Color Temperature	4000K*	4500K**	5000K	5700K***
	Lumen (Tolerance : ±10%)	90000 LM	90000 LM	90000 LM	90000 LM
	Efficacy (Tolerance : ±3%)	150 LM/W	150 LM/W	150 LM/W	150 LM/W
	CRI	>80			
	Color Consistency	<6 Steps (or <6 SDCM)			
	BUG	B5-U0-G4			
	Distribution Pattern	NEMA:4 (Optional:NEMA:5/NEMA:5/NEMA:6/NEMA:7****)			
	Beam Angle (50%) (Tolerance : ±15%)	120° (Optional:60°)			
<b>ELECTRICAL</b>	Input Voltage and Frequency	120-277VAC, 50/60Hz			
	PF (Tolerance : -3%)	≥0.9			
	THD (Tolerance : +5%)	≤20%			
	Flicker Percent	<5%			
	Driver Brand	UPower Tek			
	Driver Model	BLD-600-C420-ENU			
	Driver Surge protection	L/N-PE: 10kV, L-N:6kV			
	Dimming	0-10V dimming standard			
	Sensor Type	Integral Sensor Receptacle <sup>11</sup> , Exterior Photocell <sup>22</sup>			
	Optional Accessory	Sensor Receptacle+Photosensor <sup>3</sup> / Sensor Receptacle+Short Cap <sup>4</sup> , Surge-protective Device <sup>5</sup>			
<b>MATERIALS</b>	LED Brand	Lumileds			
	LED Type	SMD2835			
	LED QTY	2016 PCS			
	Housing	Die-cast aluminum			
	Housing Color	Black) (White, Bronze or Customized****)			
	EPA	1.6 ft <sup>2</sup>			
	Waterproof Rating	WET (IP65)			
<b>OTHERS</b>	Operating Temperature	-40°C TO 45°C			
	Storage Temperature	-40°C TO 80°C			
	Operating Humidity	20% - 90% RH			
	Storage Humidity	10% - 95% RH			
	Warranty	5 years			

## PACKAGE

Bracket Type	Carton Size	Qty / Carton	Net Weight / Carton	Gross Weight / Carton
Ring mount	550*550*310mm	1 PC	17.5KG	19.4KG

Tolerance of Carton Size: ±15 MM, Tolerance of Weight: ±10%.



### Optional Accessories:

<sup>1</sup>Integral Sensor Receptacle - NPS-00017

<sup>2</sup>Exterior Photocell - NPS-00026

<sup>3</sup>Sensor Receptacle+Photosensor - NPS-00027

<sup>4</sup>Sensor Receptacle+Short Cap - NPS-00028

<sup>5</sup>Surge-protective Device - NPS-00029

*Special order items. Please call 1-800-624-4488 for more information*

### Alternate Versions:

\*4000K Version - NPS-00023 Special Order, call 1-800-624-4488

\*\*4500K Version - NPS-00024 Special Order, call 1-800-624-4488

\*\*\*5700K Version - NPS-00025 Special Order, call 1-800-624-4488

\*\*\*\*Optional NEMA patterns available via Special Order. Call 1-800-624-4488.

\*\*\*\*\*Optional finish options available via Special Order. Call 1-800-624-4488



## NOTICE FOR USER

- • Please turn off power before installation or maintenance.
- • Verify that supply voltage is correct by comparing it with the luminaire label information. Please make sure the wiring is insulated.
- • Installation, service, and maintenance of luminaires should be performed by a qualified licensed electrician.

## TROUBLESHOOTING

Problem	Solution
Flickering light	Turn off the power, then turn on again after 3 minutes. If the light continues to flicker, call a licensed electrician.
Light is not coming on	Check the electrical connection.