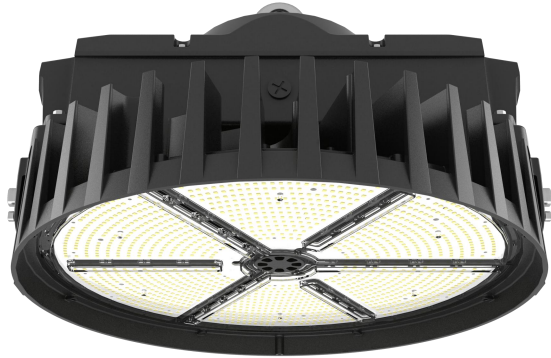
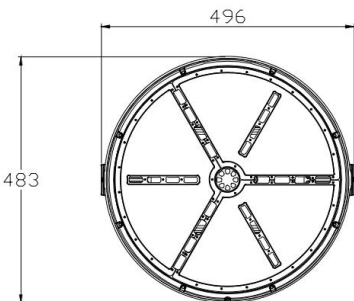
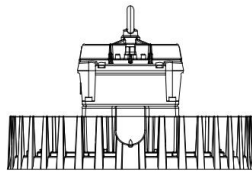
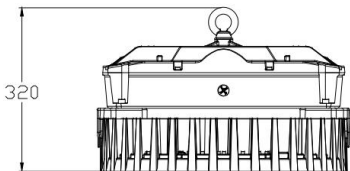


PLT-12638 - 350/400/450W Selectable, 5000K



DIMENSIONS



PLT-12642



NPS-00021*



NPS-00022*

ADVANTAGE

- Sufficient for UL cUL certificate
- Wattage adjustable
- Input voltage 120-277Vac
- No UV or IR in the beam
- Easy to install and operate
- Energy saving, long lifespan
- Instant start, NO flickering, NO humming
- Green and eco-friendly without mercury
- Output constant current can be adjusted through output cable with 0-10V.

APPLICATION

- ◆ Gymnasium;
- ◆ Square plaza;
- ◆ Shipyard, Airport ,wharf;
- ◆ High mast and Contour lighting, etc.

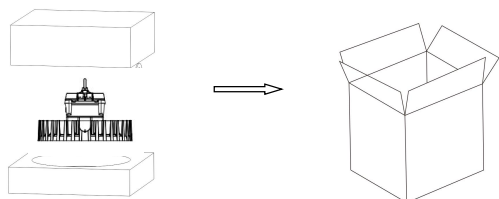
SPECIFICATIONS

OPTICAL	Input Power (Tolerance : ±10%)	350W/400W/450W			
	Color Temperature	4000K*	4500K**	5000K	5700K***
	Lumen (Tolerance : ±10%)	67500 LM	67500 LM	67500 LM	67500 LM
	Efficacy (Tolerance : ±3%)	150 LM/W	150 LM/W	150 LM/W	150 LM/W
	CRI	>80			
	Color Consistency	<6 Steps (or <6 SDCM)			
	BUG	B5-U0-G3			
	Distribution Pattern	NEMA:4 (Optional:NEMA:5/NEMA:5/NEMA:6/NEMA:7)****			
	Beam Angle (50%) (Tolerance : ±15%)	120° (Optional:60°)			
ELECTRICAL	Input Voltage and Frequency	120-277VAC, 50/60Hz			
	PF (Tolerance : -3%)	≥0.9			
	THD (Tolerance : +5%)	≤20%			
	Flicker Percent	<5%			
	Driver Brand	UPower Tek			
	Driver Model	BLD-500-C230-ENU-A00000			
	Driver Surge protection	L/N-PE: 10kV, L-N:6kV			
	Dimming	0-10V dimming standard			
	Sensor Type	Integral Sensor Receptacle ¹¹ , Exterior Photocell ²²			
Optional Accessory	Sensor Receptacle+Photosensor ³ /Sensor Receptacle+Short Cap ⁴ , Surge-protective Device ⁵				
MATERIALS	LED Brand	Lumileds			
	LED Type	SMD2835			
	LED QTY	1584 PCS			
	Housing	Die-cast aluminum			
	Housing Color	Black (White, Bronze or Customized****)			
	EPA	1.6 ft ²			
	Waterproof Rating	WET (IP65)			
OTHERS	Operating Temperature	-40°C TO 45°C			
	Storage Temperature	-40°C TO 80°C			
	Operating Humidity	20% - 90% RH			
	Storage Humidity	10% - 95% RH			
	Warranty	5 years			

PACKAGE

Bracket Type	Carton Size	Qty / Carton	Net Weight / Carton	Gross Weight / Carton
Ring mount	550*550*310mm	1 PC	16.3 KG	18.2 KG

Tolerance of Carton Size: ±15 MM, Tolerance of Weight: ±10%.



Optional Accessories:

- ¹Integral Sensor Receptacle - NPS-00017
- ²Exterior Photocell - NPS-00026
- ³Sensor Receptacle+Photosensor - NPS-00027
- ⁴Sensor Receptacle+Short Cap - NPS-00028
- ⁵Surge-protective Device - NPS-00029

Special order items. Please call 1-800-624-4488 for more information

Alternate Versions:

- *4000K Version - NPS-00023 Special Order, call 1-800-624-4488
- **4500K Version - NPS-00024 Special Order, call 1-800-624-4488
- ***5700K Version - NPS-00025 Special Order, call 1-800-624-4488
- ****Optional NEMA patterns available via Special Order. Call 1-800-624-4488.
- *****Optional finish options available via Special Order. Call 1-800-624-4488



NOTICE FOR USER

- • Please turn off power before installation or maintenance.
- • Verify that supply voltage is correct by comparing it with the luminaire label information. Please make sure the wiring is insulated.
- • Installation, service, and maintenance of luminaries should be performed by a qualified licensed electrician.

TROUBLESHOOTING

Problem	Solution
Flickering light	Turn off the power, then turn on again after 3 minutes. If the light continues to flicker, call a licensed electrician.
Light is not coming on	Check the electrical connection.