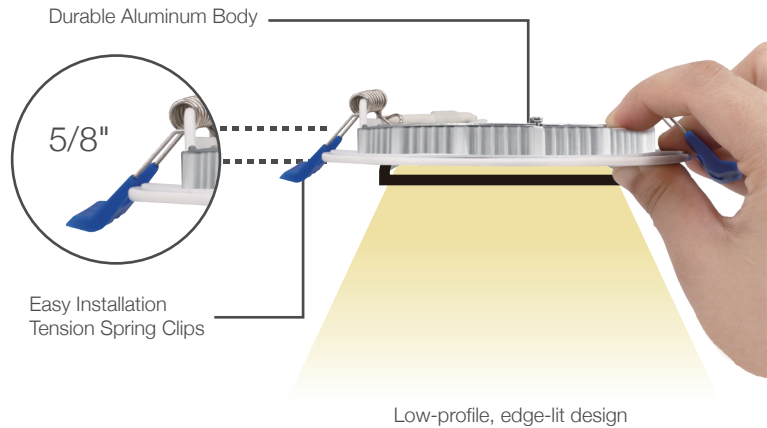
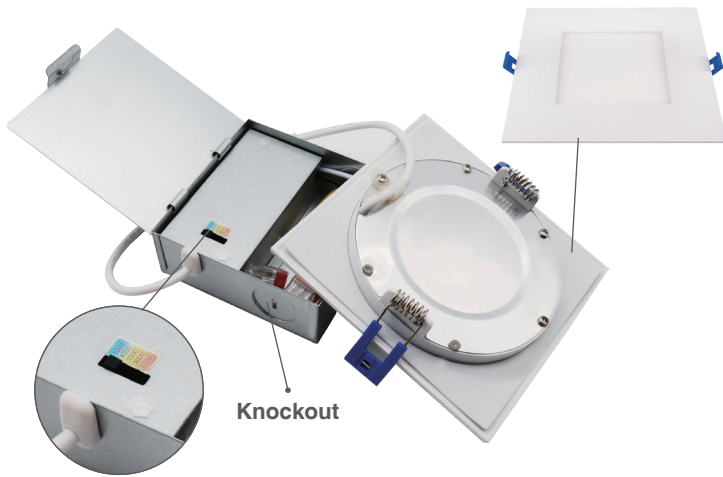




6" Square LED Slim Downlight

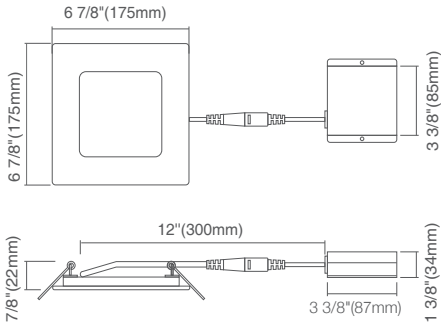


Features

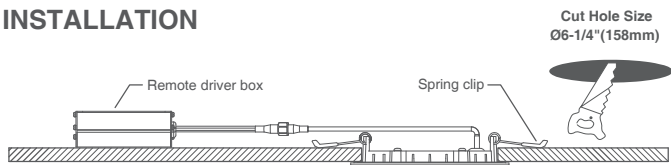
- Edge-lit technology, no glare or dark spots, instant-on
- No existing recessed housing or junction box required
- Dimming: TRIAC down to 10%
- I.C. rated for direct contact with insulation
- Suitable for WET LOCATION
- Rated for a long life - over 50,000 hours
- 5-color field selectable CCT - 2700K, 3000K, 3500K, 4000K, 5000K



DIMENSIONS



INSTALLATION



Accessories

Extension Cables

- FLEX-4***
4ft flexible connector, for use with Gimbal/ slim LED fixtures
- NPS-00117**
6ft flexible connector, for use with Gimbal/ slim LED fixtures
- NPS-00118***
10ft flexible connector, for use with Gimbal/ slim LED fixtures
- NPS-00119***
20ft flexible connector, for use with Gimbal/ slim LED fixtures

Mounting Plates

- PLT-12987**
The PLT-12987 is a 3 3/4\"/>
- NPS-00131***
6\"/>
- NPS-00132***
6\"/>

Decorative Trim

- Square Deep Bronze NPS-00133*
 - Square Brushed Nickel ADETS6-BN*
 - Square Black NPS-00135*
 - Square Copper NPS-00136*
- 6 inch Square

SPECIFICATIONS

Model	NPS-00129*	PLT-12991
Watts	12W	15W
Light Output(lm)	800lm	1082lm***
Size	6in	
Default Driver Input	AC120V,60HZ	
Color Temperature(K)	5-color field selectable CCT - 2700K, 3000K, 3500K, 4000K, 5000K	
CRI	90Ra (80Ra Optional**)	
Dimming	Triac Dimming	
Power Factor	>0.9	
Approved Location	Wet Location	
Air Tight	Yes	
Operating Temp.	(-4°F~104°F) -20~40°C	
Beam Angle	120°	

PACKAGE

Weight.(g)	505g
Qty/CTN (pcs)	18pcs/CTN
Box Dimension	585*455*220mm
Gross Weight	11.9kg/CTN

**Special Order items. Call 1-800-624-4488.

**80 CRI version - NPS-00130 Special Order item, call 1-800-624-4488.

***See Selectable Table on page 2 for full breakdown.



SELECTABLE TABLE

Wattage	CCT	Lumens	LPW
15W	2700K	993	71
	3000K	1017	73
	3500K	1070	76
	4000K	1082	77
	5000K	1046	75