



PLT-90378

Linear LED High Bay Fixture



Compact size without sacrificing performance

- 11,000 to 54,000 lumens, 150 lm/W or 136 lm/W.
- Dimmable product.
- Light distribution can be changed in seconds by transposing lens on-site.
- Operating temp range -20°C/-4°F to 50°C /122°F when fixture is suspended at least 18" from ceiling.
- 80 CRI, 1000W MH Equal, 120-277V
- PF >0.9, THD <20%, 4kV Surge Protection
- 5-year limited warranty; see pltsolutions.com for warranty details

Ultra savings you want

Lower price

Less packaging

Less freight

Quick turnaround to smart lighting

- Both standalone and Bluetooth plug and play sensors are available*
- Integrated occupancy and daylighting controls*

*Multiple customization options available via Special Order. Please call 1-800-624-4488 for more information.



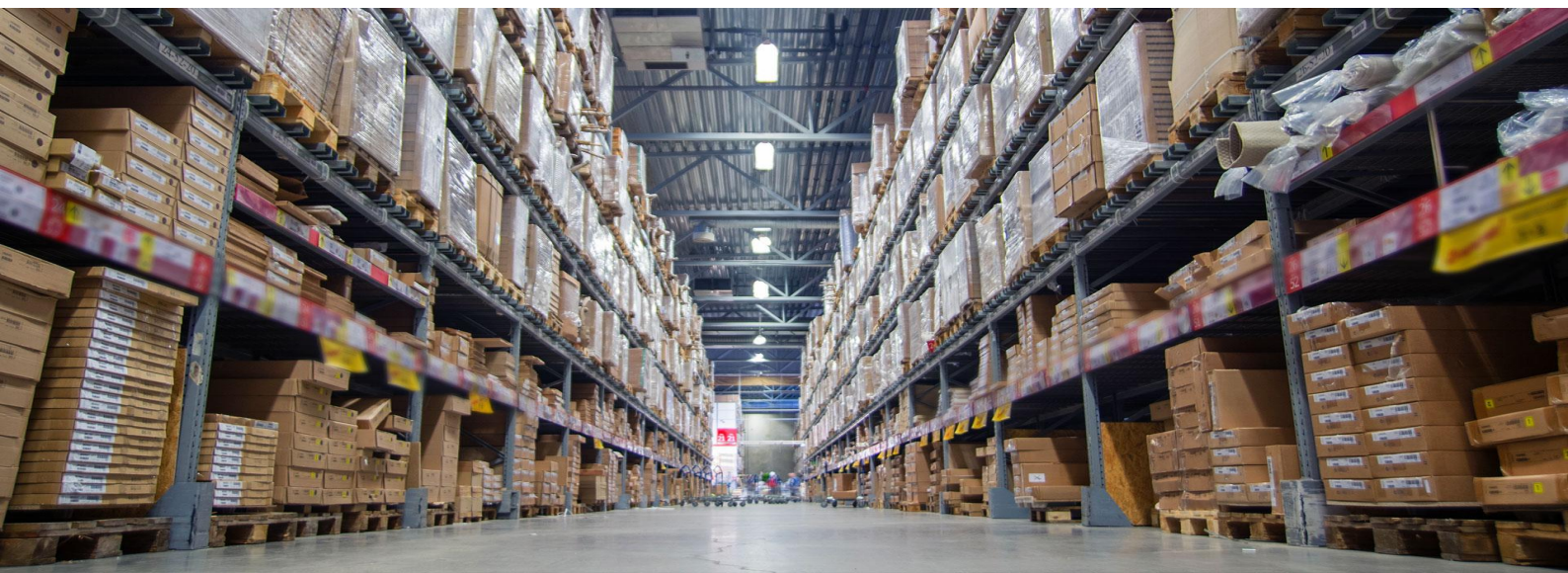
step1



step2



step3



Specifications

UL Listing:

Suitable for damp locations

IESNA LM-79 & LM-80 Testing:

Ever-tie LED luminaires have been tested based on IESNA LM-79 and LM-80 by a third-party laboratory

LEDs:

Long-life, high-efficacy, micro-power LEDs

Lifespan:

Lumen Maintenance, LED L70 > 100,000 hours

Dimming Driver:

Driver includes dimming control wiring for 0-10V dimming systems. The dim-to-off voltage threshold of optional 12V AUX integrated driver* ranges from 0.1V to 0.5V.

Housing:

Sheet metal stamping

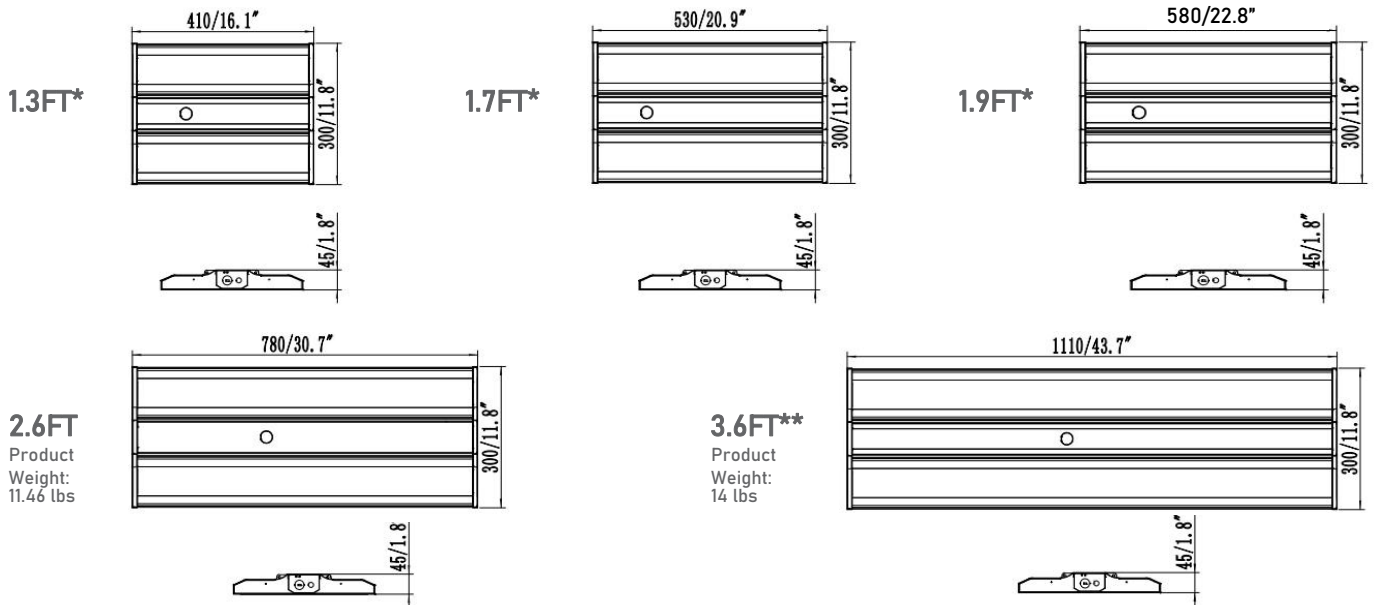
Lens:

Frosted PMMA optical glare-control lens

Finish:

Long lasting white with high durability

Dimensions and Weights



Performance

Fixed power and CCT, RD1, 95°×95°

150 LPW Options			4000K*		5000K*		135 LPW Options			4000K*		5000K	
Lumen Package*	Wattage*	Size*	Lumen Output*	LPW*	Lumen Output*	LPW*	Lumen Package *	Wattage *	Size*	Lumen Output*	LPW*	Lumen Output*	LPW*
11000LM	78	1.3FT	11700	150	11778	151	11000LM	85	1.3FT	11475	135	11560	136
14000LM	92		13800	150	13892	151	14000LM	105		14175	135	14280	136
17000LM	115		17250	150	17365	151	17000LM	130		17550	135	17680	136
20000LM	135	1.7FT	20250	150	20385	151	20000LM	155	1.7FT	20925	135	21080	136
23000LM	155		23250	150	23405	151	23000LM	170		22950	135	23120	136
28000LM	185		27750	150	27935	151	28000LM	210		28350	135	28560	136
30000LM	200	1.9FT	30000	150	30200	151	30000LM	220	1.9FT	29700	135	29920	136
34000LM	230	2.6FT	34500	150	34730	151	34000LM	255	2.6FT	34425	135	34680	136
40000LM	270		40500	150	40770	151	40000LM	300		40500	135	40800	136
54000LM	360	3.6FT	54000	150	54360	151	54000LM	400	3.6FT	54000	135	54400	136
60000LM	400		60000	150	60400	151	60000LM	440		59400	135	59840	136

PLT-90378

Type	Beam angle	Lumens output Multiplier
RD1	95° ×95°	100%
EL1*	40° ×95°	103%

Field-adjustable power is available*, which extends from high power to low power on the same light body. For example:

- 115/92/78 on 1.3FT
- 270/230/190 on 2.6FT

*Multiple customization options available via Special Order. Please call 1-800-624-4488 for more information.

**Alternate Version: PLT-90379 - 400W, 54,400 Lumens, 136 LPW, 5000K

Accessories

Optional Accessories	V hooks & Chain suspending mounting kit (included)
	Cable suspending mounting kit*
	Surface mounting kit*
	Pendant hanger installation box *
	Wire guards*

*Multiple mounting options available via Special Order. Please call 1-800-624-4488 for more information.

Compatible Dimmers:

Dimmer brand	Dimmer part No	Dim to off voltage
LUTRON	NTSTV-DV	0.527V
LUTRON	NFTV	0.515V
LUTRON	DVTV	0.765V
LEVITON	IP710	0.609V
LEVITON	DS710	0.578V
Legrand	RH4FBL3PW	0.568V