

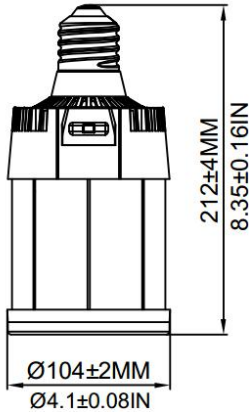
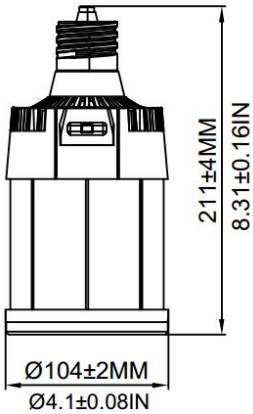


**PLT-12957** - 60/90/120W, 3000/4000/5000K,  
EX39 Base, 277-480V

## DIMENSIONS

**EX39**

**E39**



NPS-00083\*

\*Special Order, call 1-800-624-4488

## NOTICE FOR USER

- Please turn off power before installation or maintenance.
- The input voltage of the fixture and lamps should match.
- Installation, service, and maintenance of luminaires should be performed by a qualified licensed electrician.
- Suitable for damp locations. Do not use with dimmers.
- Make sure to remove or bypass the ballast in the fixture before installing the lamp.
- Suitable for use in enclosed luminaires, min. Luminaire compartment dimensions: 440\*260\*260MM.

## ADVANTAGE

- UL cUL certificate.
- E39 EX39 lamp base.
- Lumileds Chip, high CRI.
- Internal driver, input voltage 277-480VAC.
- Meet 4kV surge immunity level.
- Long lifespan and good heat dissipation ,With Sunon fan
- Two dimming options are available, continuous dimming or segmented dimmer
- Fits many different fixtures to replace traditional lamps.

## APPLICATION

- Replacement Lamps for Outdoor
- Pole/Arm-mounted Decorative Luminaires(Type B)

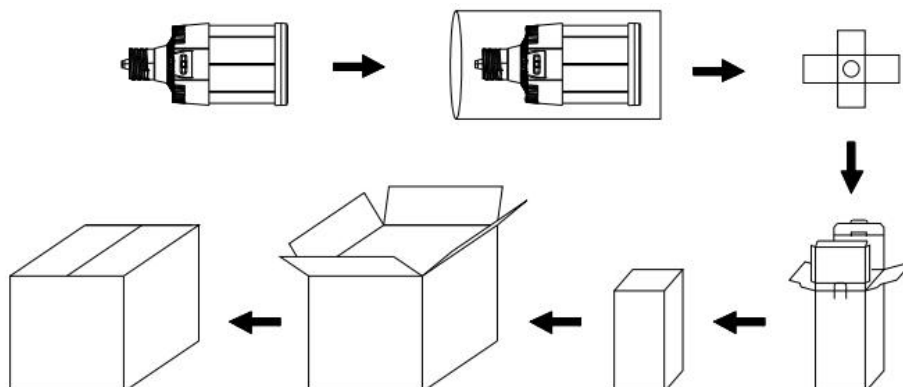
## SPECIFICATIONS

<b>OPTICAL</b>	Input Power (Tolerance : ±10%)	120W (60W/90W/120W via switch)		
	Color Temperature (Color Tunable)	3000K	4000K	5000K
	Lumen (Tolerance : ±10%)	18500 LM	19200 LM	18900LM
	Efficacy (Tolerance : ±3%)	150LM/W	160 LM/W	155 LM/W
	CRI	>80		
	Color Consistency	<7 Steps (or <7 SDCM)		
	Diffuser Type	Clear PC		
	Beam Angle (50%) (Tolerance : ±25%)	280 Degree		
<b>ELECTRICAL</b>	Input Voltage and Frequency	277-487VAC, 50/60Hz		
	PF (Tolerance : -3%)	≥0.9		
	THD (Tolerance : +5%)	≤20%		
	Flicker Percent	<30%		
	Driver Surge protection	L-N: 4kV		
	Dimmable	0-10V dimming standard (through manual knob on the lamp)		
	Equivalent	200W CFL 400W MHL/HPS/HID		
<b>MATERIALS</b>	LED Brand	Lumileds		
	LED Type	SMD2835		
	LED QTY	306pcs of 3000K + 306 pcs of 5000K		
	Housing	PC + Aluminum		
	Housing Color	Any colors		
	Waterproof Rating	DAMP		
<b>OTHERS</b>	Operating Temperature	-40°C TO 50°C		
	Storage Temperature	-40°C TO 80°C		
	Operating Humidity	20% - 70% RH		
	Storage Humidity	10% - 75% RH		
	Warranty	5 years		

## PACKAGE

	Carton Size	Qty / Carton	Net Weight / Carton	Gross Weight / Carton
Inner Carton	110*110*255MM/4.3*4.3*10IN	1 PC	0.76 KG/1.67lb	0.86 KG/1.9lb
Outer Carton	460*350*270MM/18.1*13.8*10.63IN	12 PCS	9.1KG/20lb	12.3 KG/27.2lb

Tolerance of Outer Carton Size: ±5 MM/±0.59IN, Tolerance of Weight: ±10%.



## LIGHT DISTRIBUTION TESTING PARAMETERS

Remark: The testing data comes directly from the product test.

## Luminaire Property

Luminaire Manufacturer:

Voltage: 277.2 V

Power: 119.40 W

Current: 0.451 A

Power Factor: 0.955

## Photometric Results

CIE Class: General Diffuse

Measurement Flux: 18621 lm

Downward Ratio: 56%

Horizontal Diffuse Angle(10%,50%): H330.3,H283.2

Vertical Diffuse Angle(10%,50%): V329.6,V281.3

Luminaire Efficacy Rating (LER): 156.00

Max. Intensity: 1885.06 cd

S/MH(C0/C180): 2.63

Total Rated Lamp Lumens: 18621.0 lm

Efficiency: 100%

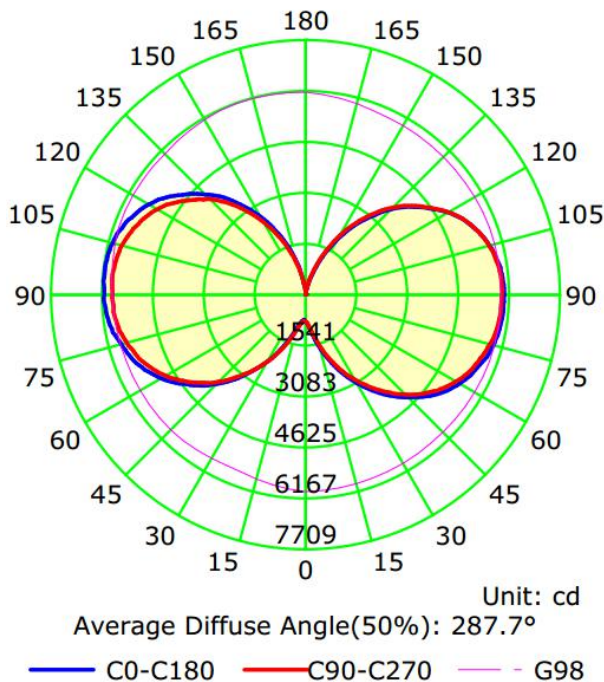
Upward Ratio: 44%

Central Intensity: 787.66 cd

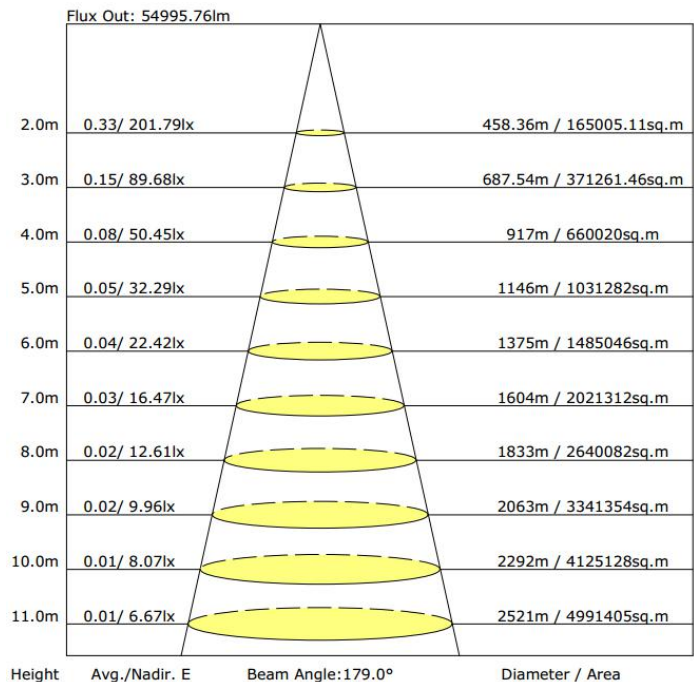
Pos of Max. Intensity: H247.5 V76

S/MH(C90/C270): 2.60

Luminous Intensity Distribution Curve



The Average Illuminance Effective Figure



## TROUBLESHOOTING

Problem	Solution
Flickering light	Turn off the power, then turn on again after 3 minutes. If the light continues to flicker, call a licensed electrician.
Light is not coming on	Check the electrical connection.