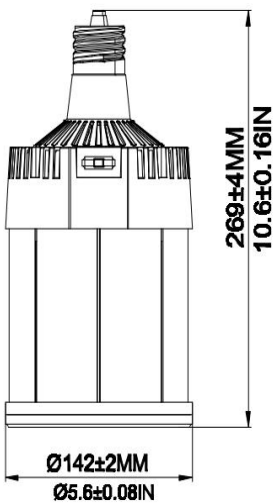




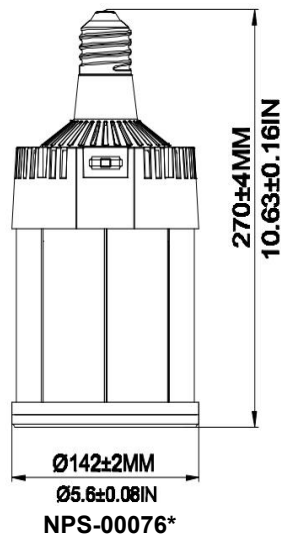
PLT-12953 - 100/150/200W, 3000/4000/5000K,
E39 Base

DIMENSIONS

E39



EX39



*Special Order, call 1-800-624-4488

NOTICE FOR USER

- Please turn off power before installation or maintenance.
- The input voltage of the fixture and lamps should match.
- Installation, service, and maintenance of luminaires should be performed by a qualified licensed electrician.
- Suitable for damp locations. Do not use with dimmers.
- Make sure to remove or bypass the ballast in the fixture before installing the lamp.
- Suitable for use in enclosed luminaires, min. Luminaire compartment dimensions: 470*320*320 MM.

ADVANTAGE

- UL cUL certificate.
- E39 EX39 lamp base.
- Lumileds Chip, high CRI.
- Internal driver, input voltage 120-277VAC.
- Meet 6kV surge immunity level.
- Direct replacement for Metal Halide, easy installation.
- Fits many different fixtures to replace traditional lamps.
- Two dimming options are available, continuous dimming or segmented dimmer
- Long lifespan and good heat dissipation, With Sunon fan

APPLICATION

- Replacement Lamps for Outdoor
- Pole/Arm-mounted Decorative Luminaires (Type B)

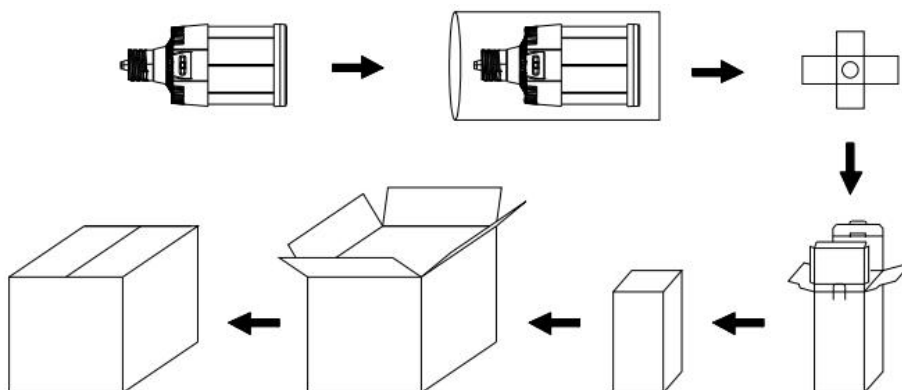
SPECIFICATIONS

| | | | | |
|-------------------|-------------------------------------|--|---------|----------|
| OPTICAL | Input Power (Tolerance : ±10%) | 200W (100W/150W/200W via switch) | | |
| | Color Temperature (Color Tunable) | 3000K | 4000K | 5000K |
| | Lumen (Tolerance : ±10%) | 30000LM | 32400LM | 31600 LM |
| | Efficacy (Tolerance : ±3%) | 147 LM/W | 163LM/W | 158 LM/W |
| | CRI | >80 | | |
| | Color Consistency | <7 Steps (or <7 SDCM) | | |
| | Diffuser Type | Clear PC | | |
| | Beam Angle (50%) (Tolerance : ±25%) | 280 Degree | | |
| ELECTRICAL | Input Voltage and Frequency | 120-277VAC, 50/60Hz | | |
| | PF (Tolerance : -3%) | ≥0.9 | | |
| | THD (Tolerance : +5%) | ≤20% | | |
| | Flicker Percent | <30% | | |
| | Driver Surge protection | L-N: 6kV | | |
| | Dimmable | 0-10V dimming standard (through manual knob on the lamp) | | |
| | Equivalent | 600W MHL/HPS/HID | | |
| MATERIALS | LED Brand | Lumileds | | |
| | LED Type | SMD2835 | | |
| | LED QTY | 455 pcs of 3000K + 455 pcs of 5000K | | |
| | Housing | PC + Aluminum | | |
| | Housing Color | Any colors | | |
| | Waterproof Rating | DAMP | | |
| OTHERS | Operating Temperature | -40°C TO 50°C | | |
| | Storage Temperature | -40°C TO 80°C | | |
| | Operating Humidity | 20% - 70% RH | | |
| | Storage Humidity | 10% - 75% RH | | |
| | Warranty | 5 years | | |

PACKAGE

| | Carton Size | Qty / Carton | Net Weight / Carton | Gross Weight / Carton |
|--------------|-------------------------------|--------------|---------------------|-----------------------|
| Inner Carton | 150*150*315 MM/5.9*5.9*12.4IN | 1 PC | 1.3KG/2.87lb | 1.55KG/3.42lb |
| Outer Carton | 470*320*330 MM/18.5*12.6*13IN | 6 PCS | 7.8KG/17.2lb | 11KG/24.25lb |

Tolerance of Outer Carton Size: ±15 MM/±0.59IN, Tolerance of Weight: ±10%.



LIGHT DISTRIBUTION TESTING PARAMETERS < Clear PC >

Remark: The testing data comes directly from the product test.

Luminaire Property

Luminaire Manufacturer:

Voltage: 121.7 V

Power: 203.30 W

Current: 1.688 A

Power Factor: 0.990

Photometric Results

CIE Class: General Diffuse

Measurement Flux: 31430.6 lm

Downward Ratio: 54%

Horizontal Diffuse Angle(10%,50%): H330.6,H283.8

Vertical Diffuse Angle(10%,50%): V328.6,V284

Luminaire Efficacy Rating (LER): 154.65

Max. Intensity: 3343.26 cd

S/MH(C0/C180): 2.90

Total Rated Lamp Lumens: 31430.6 lm

Efficiency: 100%

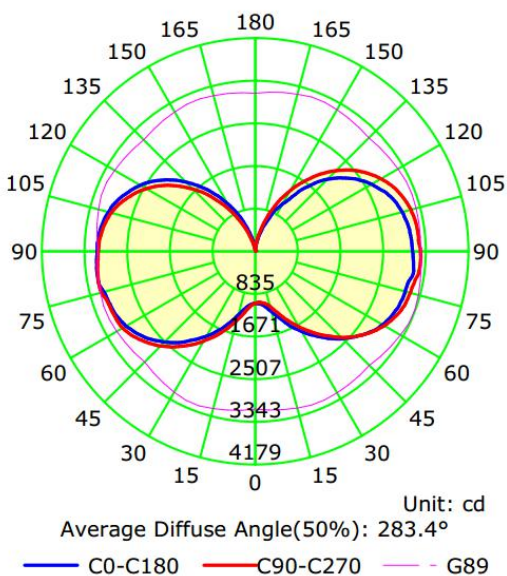
Upward Ratio: 46%

Central Intensity: 1021.97 cd

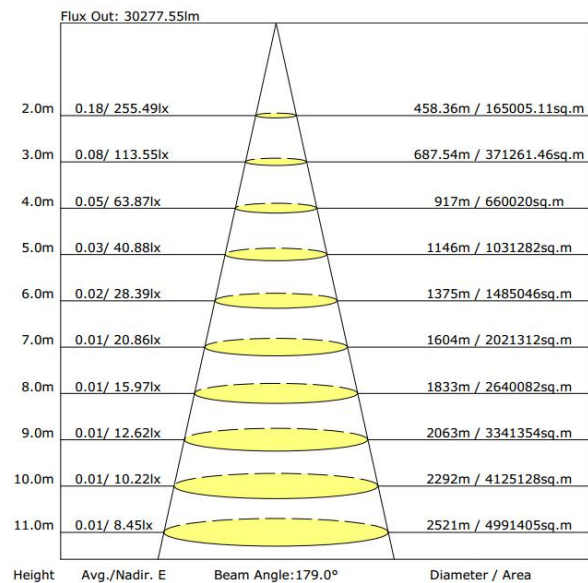
Pos of Max. Intensity: H67.5 V89

S/MH(C90/C270): 2.93

Luminous Intensity Distribution Curve



The Average Illuminance Effective Figure



TROUBLESHOOTING

| Problem | Solution |
|------------------------|---|
| Flickering light | Turn off the power, then turn on again after 3 minutes. If the light continues to flicker, call a licensed electrician. |
| Light is not coming on | Check the electrical connection. |