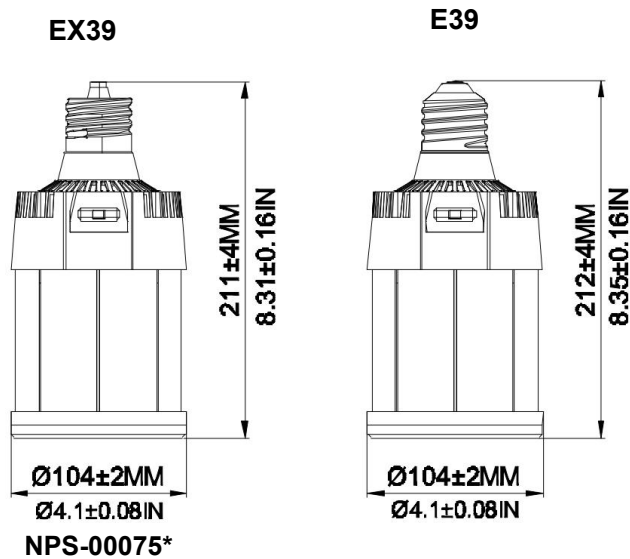




**PLT-12952** - 80/120/150W, 3000/4000/5000K, E39 Base

## DIMENSIONS



\*Special Order, call 1-800-624-4488

## NOTICE FOR USER

- Please turn off power before installation or maintenance.
- The input voltage of the fixture and lamps should match.
- Make sure to remove or bypass the ballast in the fixture before installing the lamp.
- Suitable for damp locations. Do not use with dimmers.
- Installation, service, and maintenance of luminaires should be performed by a qualified licensed electrician.
- Suitable for use in enclosed luminaires, min. Luminaires compartment dimensions: 470\*320\*320 MM.

## ADVANTAGE

- UL cUL certificate.
- E39 EX39 lamp base.
- Internal driver, input voltage AC120-277V.
- Meet 6KV surge immunity level
- Two dimming options are available, continuous dimming or segmented dimmer
- Long lifespan and good heat dissipation ,With Sunon fan
- Direct replacement for Metal Halide, easy installation.
- Fits many different fixtures to replace traditional lamps.

## APPLICATION

- Replacement Lamps for Outdoor
- Pole/Arm-mounted Decorative Luminaires(Type B)

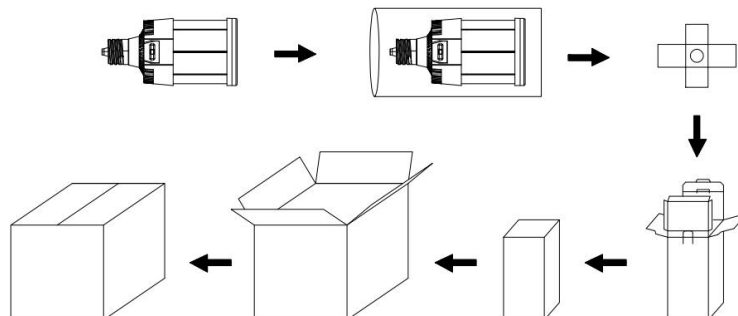
## SPECIFICATIONS

<b>OPTICAL</b>	Input Power (Tolerance : ±10%)	150W(80W/120W/150W via switch)		
	Color Temperature (Color Tunable)	3000K	4000K	5000k
	Lumen (Tolerance : ±10%)	21800LM	24000LM	22800 LM
	Efficacy (Tolerance : ±3%)	142LM/W	158LM/W	150 LM/W
	CRI	>80		
	Color Consistency	7 Steps (or <7 SDCM)		
	Diffuser Type	Clear PC		
	Beam Angle (50%) (Tolerance : ±25%)	280 Degree		
<b>ELECTRICAL</b>	Input Voltage	120-277VAC 50/60Hz		
	PF (Tolerance : -3%)	≥0.9		
	THD (Tolerance : +5%)	≤20%		
	Flicker Percent	<30%		
	Driver Surge protection	L-N: 6kV		
	Dimmable	YES (Through the toggle switch on the lamp)		
	Equivalent	400W MHL/HPS/HID		
<b>MATERIALS</b>	LED Brand	Lumileds		
	LED Type	SMD2835		
	LED QTY	390 pcs of 3000K + 390 pcs of 5000K		
	Housing	PC + Aluminum		
	Housing Color	Any colour		
	Waterproof Rating	DAMP		
<b>OTHERS</b>	Operating Temperature	-40°C TO 50°C		
	Storage Temperature	-40°C TO 80°C		
	Operating Humidity	20% - 70% RH		
	Storage Humidity	10% - 75% RH		
	Warranty	5 years		

## PACKAGE

	Size	Qty / Carton	Net Weight / Carton	Gross Weight / Carton
Inner box	110*110*255MM/4.3*4.3*10IN	1 PC	0.78 KG/1.72lb	0.88 KG/1.94lb
Outer box	460*350*270MM/18.1*13.8*10.63IN	12 PCS	9.4KG/	13.0 KG/28.66lb

Tolerance of Outer Carton Size: ±15 MM/±0.59IN, Tolerance of Weight: ±10%.



## LIGHT DISTRIBUTION TESTING PARAMETERS < Clear PC >

Remark: The testing data comes directly from the product test.

### Luminaire Property

Luminaire Manufacturer:

Voltage: 122.5 V

Power: 143.50 W

Current: 1.182 A

Power Factor: 0.991

### Photometric Results

CIE Class: General Diffuse

Measurement Flux: 23140.3 lm

Downward Ratio: 55%

Horizontal Diffuse Angle(10%,50%): H329.6,H285

Vertical Diffuse Angle(10%,50%): V330.5,V285.6

Luminaire Efficacy Rating (LER): 161.31

Max. Intensity: 2328.47 cd

S/MH(C0/C180): 2.52

Total Rated Lamp Lumens: 23140.3 lm

Efficiency: 100%

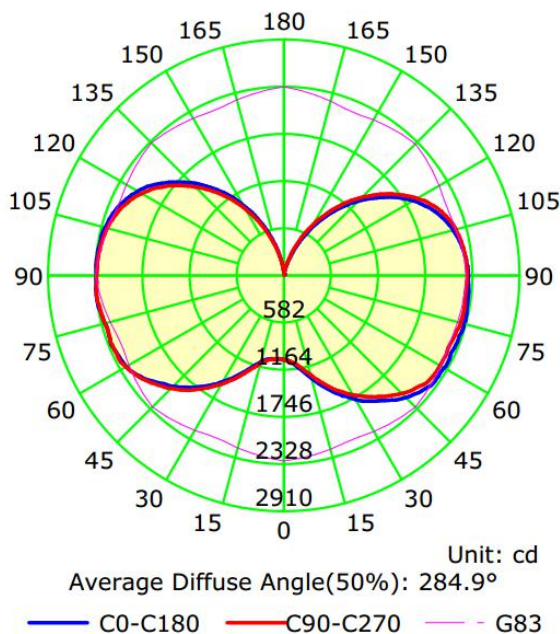
Upward Ratio: 45%

Central Intensity: 1041.45 cd

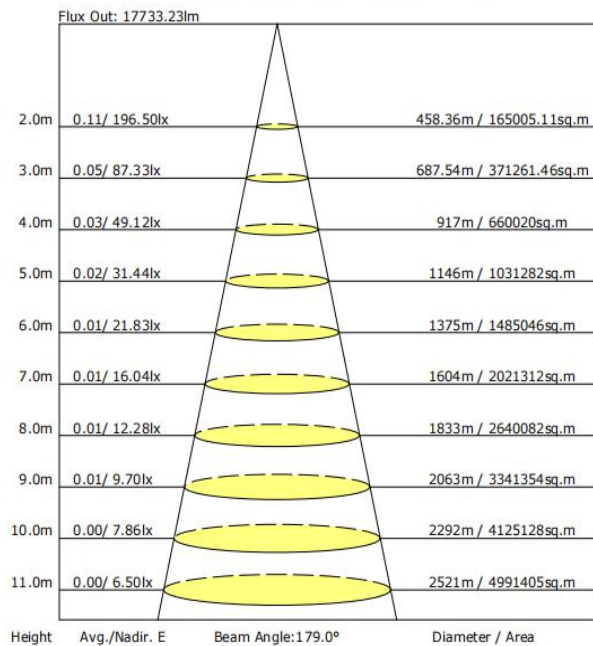
Pos of Max. Intensity: H180 V83

S/MH(C90/C270): 2.50

Luminous Intensity Distribution Curve



The Average Illuminance Effective Figure



### TROUBLESHOOTING

Problem	Solution
Flickering light	Turn off the power, then turn on again after 3 minutes. If the light continues to flicker, call a licensed electrician.
Light is not coming on	Check the electrical connection.