

LED ARCHITECTURAL FLOOD LIGHT



Applications

Parking Lots | Building Facades | Safety | Security | Signs

Product Features

- Die-cast aluminum housing with hidden heat sink for thermal management
- Impact-resistant tempered glass lens
- Durable polyester powder coating for demanding environments
- Powered by 0–10V dimming LED drivers
- Multiple mounting arms for job site flexibility: Slip fitter*, Trunion**, Knuckle, Yoke***, Straight Arm****
- Ambient operating temperature: -40°C/-40°F to 45°C/113°F
- UL listed for wet locations, IP65
- 120-277VAC, 50/60HZ, PF>0.95
- 3CCT & Power Adjustable (100%-80%-60%) Option
- 5 Year warranty

Mounting Accessories:

- *Slipfitter- NPS-00100
- **Trunion - NPS-00103
- ***Yoke Mount - NPS-00101
- ****Straight Arm - NPS-00102

Special order items. Please call 1-800-624-4488 for more information

LED ARCHITECTURAL FLOOD LIGHT

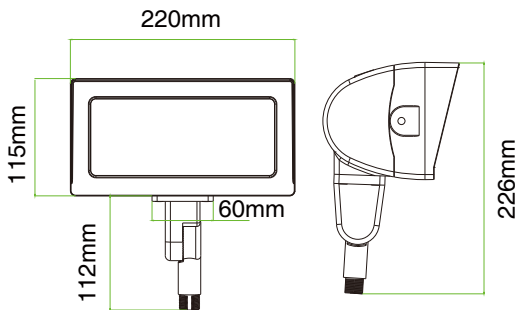
Product Specifications

Model Number	Watt	Lumens	Dimming	CCT	LPW	CRI	Lens	Volt	Working Temp	Rated Life
PLT-12978 w/ Knuckle Mount	60W 48W 36W	up to 8475lm ¹	0-10V	30K-40K-50K Selectable	up to 156lm/w ¹	>70	110°	120-277V	-40°C~45°C	50,000 hrs
NPS-00096*	100W 80W 60W	13000LM 10400LM 7800LM	0-10V	30K-40K-50K Selectable	130lm/w	>70	110°	120-277V	-40°C~45°C	50,000 hrs
NPS-00097*	150W 120W 90W	19500LM 15600LM 11700LM								
NPS-00098*	200W 160W 120W	26000LM 20800LM 15600LM								
NPS-00099*	240W 192W 144W	31200LM 24960LM 18720LM								

*Special order items. Please call 1-800-624-4488 for more information.

Product Dimensions

Mounting Arm-1: Knuckle

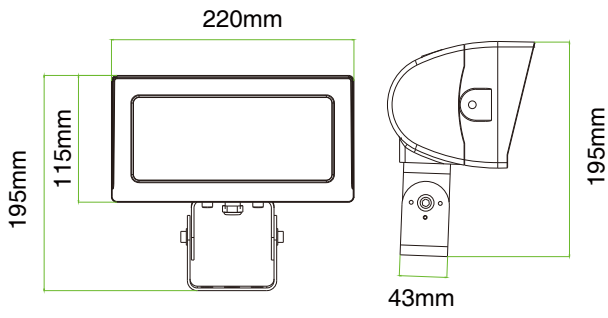


¹Lumens & LPWs for PLT-12978

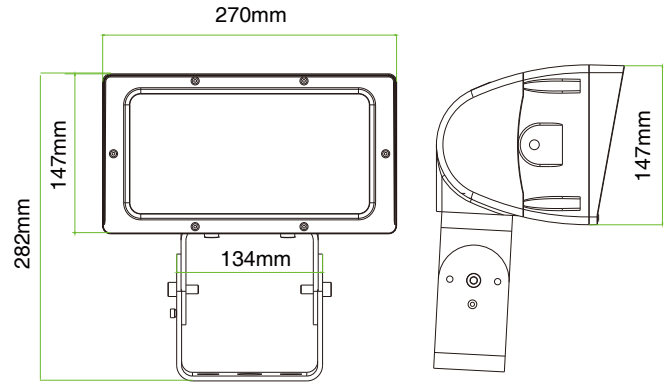
36W @ 3000K = 5134 Lumens, 143 LPW
 36W @ 4000K = 5458 Lumens, 156 LPW
 36W @ 5000K = 5242 Lumens, 147 LPW
 48W @ 3000K = 6509 Lumens, 136 LPW
 48W @ 4000K = 7049 Lumens, 153 LPW
 48W @ 5000K = 6722 Lumens, 141 LPW
 60W @ 3000K = 7732 Lumens, 131 LPW
 60W @ 4000K = 8475 Lumens, 148 LPW
 60W @ 5000K = 8095 Lumens, 136 LPW

LED ARCHITECTURAL FLOOD LIGHT

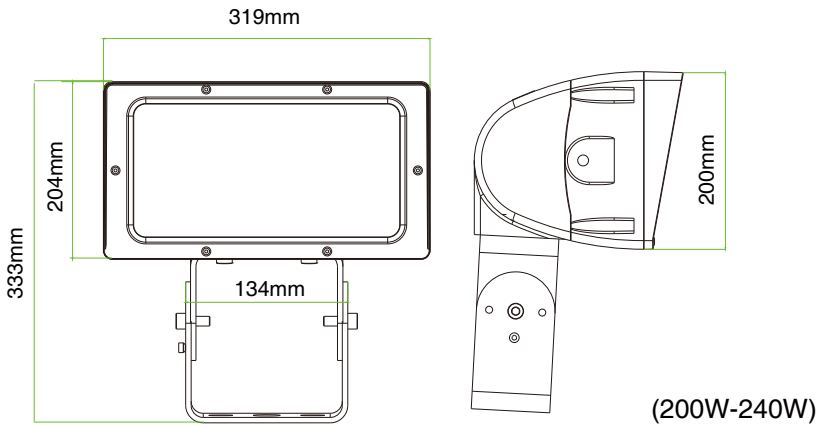
Mounting Arm-2: Trunion*



(60W)

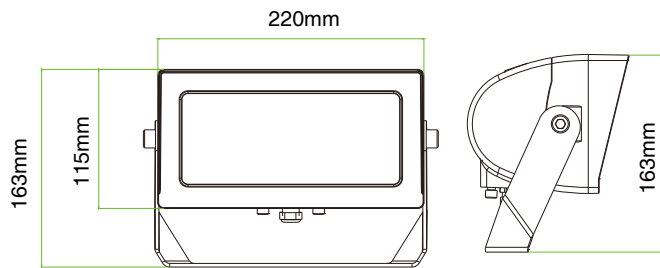


(100W-150W)

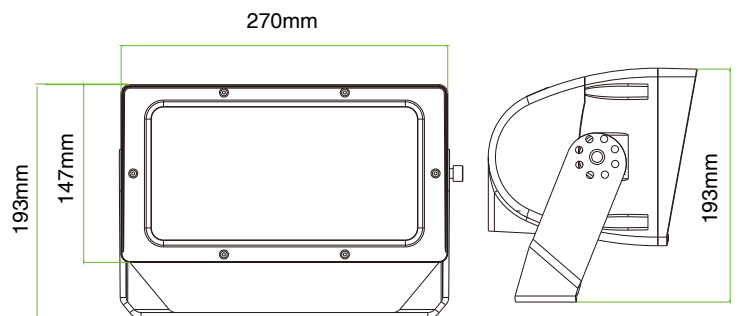


(200W-240W)

Mounting Arm-3: Yoke*



(60W)

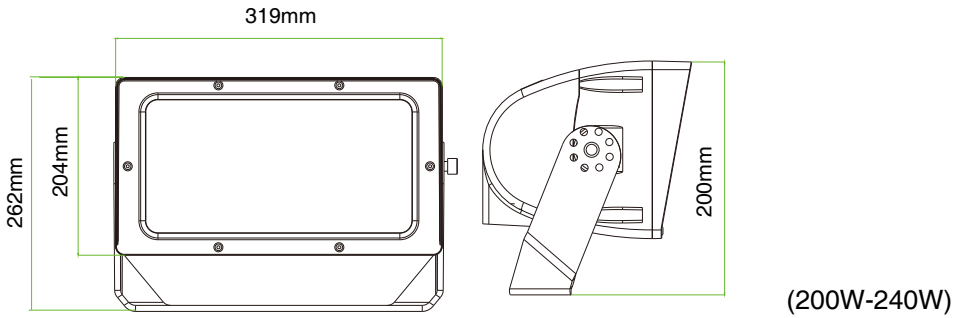


(100W-150W)

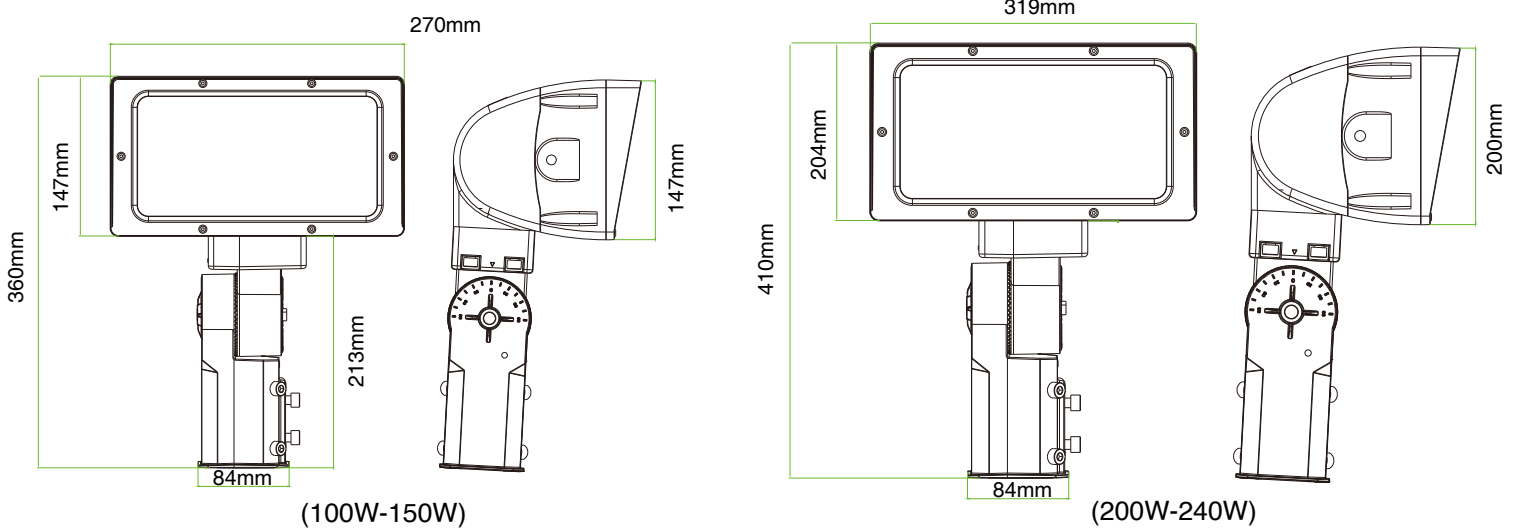
*Additional mounting options available via Special Order, see page 1 for part number. Call 1-800-624-4488 for more information.

LED ARCHITECTURAL FLOOD LIGHT

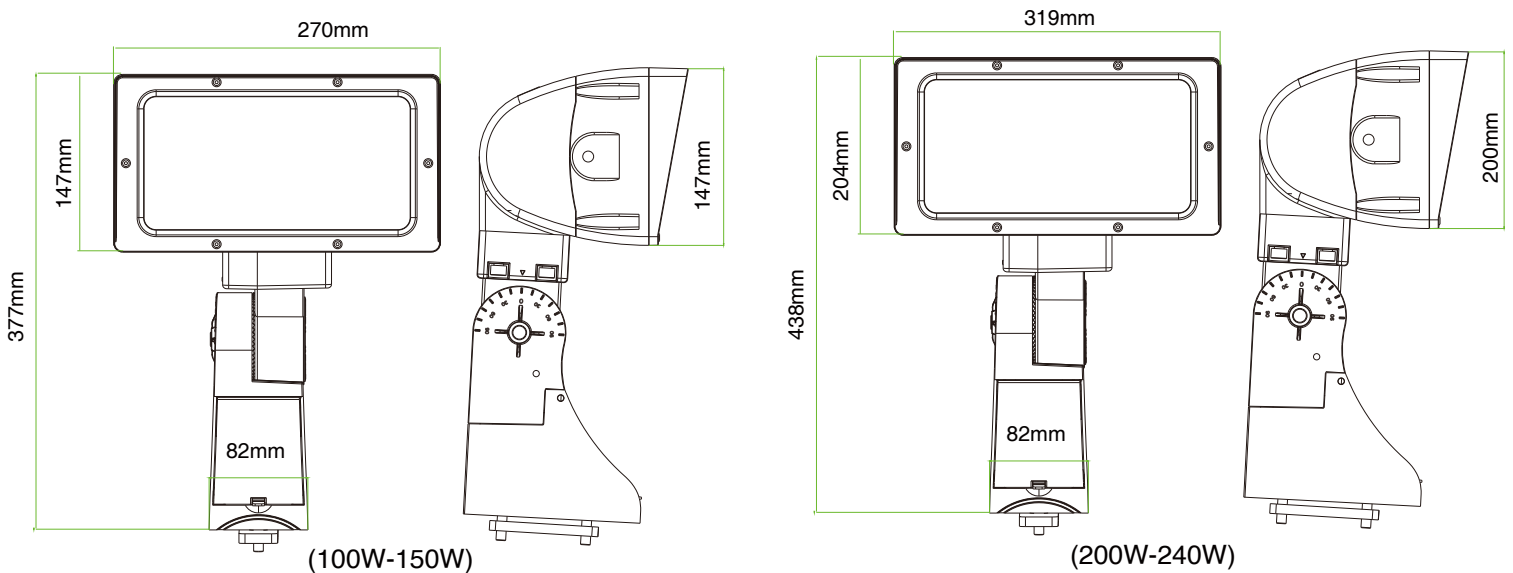
Mounting Arm-3: Yoke*



Mounting Arm-4: Slip Fitter* (100W - 240W)



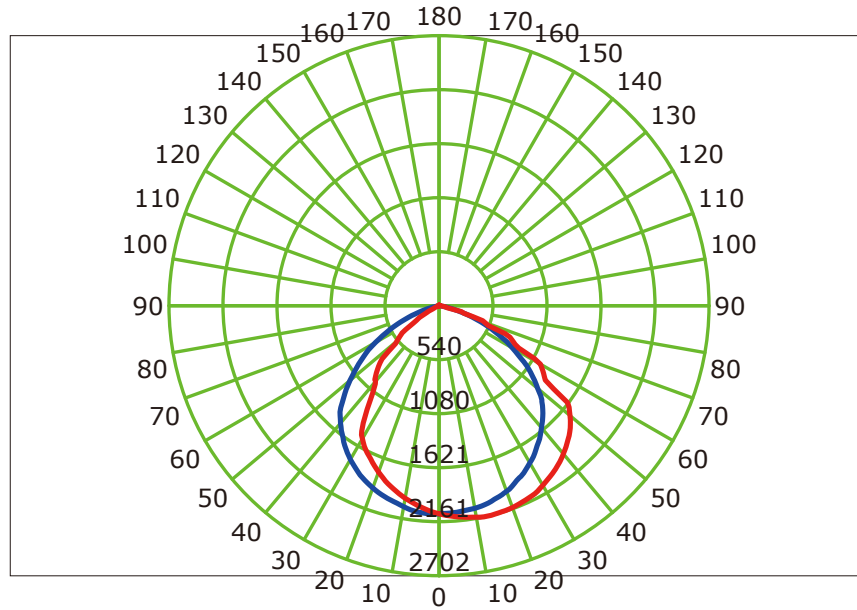
Mounting Arm-5: Straight Arm* (100W - 240W)



*Additional mounting options available via Special Order, see page 1 for part number. Call 1-800-624-4488 for more information.

LED ARCHITECTURAL FLOOD LIGHT

Luminous Intensity Distribution Curve



Wire Diagram

