



WARNING

- Installation, service, and maintenance of luminaries should be performed by a qualified licensed electrician.
- There are tubes, operations instructions, and field applied double-ended or single-ended application labels in this retrofit kit.
- Do not move nor adjust the color temperature switch while the lamp / tube is turned “on” (while electricity is flowing through the lamp / tube).
- Suitable for use with the following emergency equipment: PRECISION LIGHTING & TRANSFORMER, INC., model PLTS91, PLTSP92.

CAUTION

- Install this kit only in the luminaries that have the construction features and dimensions shown in the installation instructions and where the input rating of the retrofit kit does not exceed the input rating of the luminaire.
- For single-ended power input: To avoid potential fire or shock hazard, do not use this lamp in luminaires employing shunted bi-pin lamp holders. Shunted lamp holders are found only in fluorescent luminaires with Instant-Start ballasts. Instant-start ballasts can be identified by the words "Instant Start" or "I.S." marked on the ballast. This designation may be in the form of a statement pertaining to the ballast itself, or may be combined with the marking for the lamps with which the ballast is intended to be used, for example F40T12/IS. Contact the manufacturer for additional information.
- Do not make or alter any holes in the luminaire during kit installation.
- Installers should not disconnect existing wires from the lampholder terminals to make new connections at the lampholder terminals. Instead installers should cut existing lampholder leads away from the lampholder and make new electrical connections to the lampholder lead wires by employing applicable connectors.
- Installers should examine all parts that are not intended to be replaced by the retrofit kit for damage and replace any damaged parts prior to installation of the retrofit kit.
- Only use the control provided with or specified by these instructions to control this lamp. The lamp will not operate properly when connected to a standard (incandescent) dimmer or dimming control. Only operate with specific dimmer manufactured by Lutron, type NTELV-300 and specific dimmer PLTSPA manufactured by PLT Solutions.

NOTICE

- For retrofit kits certified to Canadian requirements: The retrofit kit is accepted as a component of a luminaire where the suitability of the combination shall be determined by authorities having jurisdiction. Product must be installed by a qualified electrician in accordance with the applicable and appropriate electrical codes. The installation guide does not supersede local or national regulations for electrical installations.

Minimum Lamp Compartment Dimensions

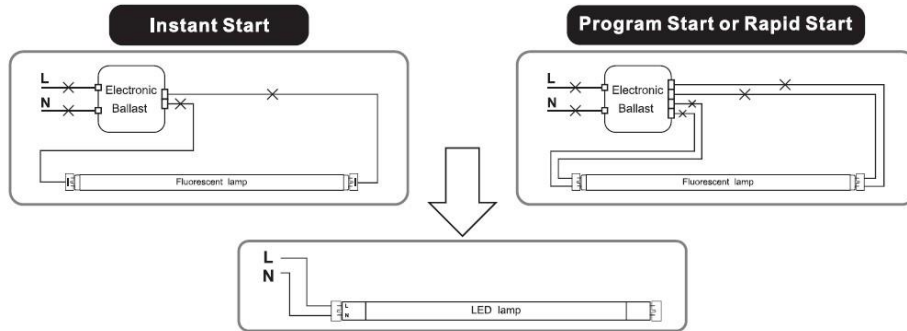
Model Number	MINIMUM LAMP COMPARTMENT DIMENSIONS [Length x Width x Height]	Lamp Quantity	Minimum Spacing Between Tube Lamps, Center to Center
PLTSP41216	24.02" x 22.44" x 2.95" 610 mm x 570 mm x 75 mm	4	1.18 in (3 cm)
PLTSPB2216	36.22" x 22.44" x 2.95" 920 mm x 570 mm x 75 mm	4	(3 cm)
PLTSP3B216 PLTSP33216	47.83" x 23.82" x 2.95" 1215 mm x 605 mm x 75 mm	4	(3.5 cm)

Installation Instructions & Wiring Diagrams

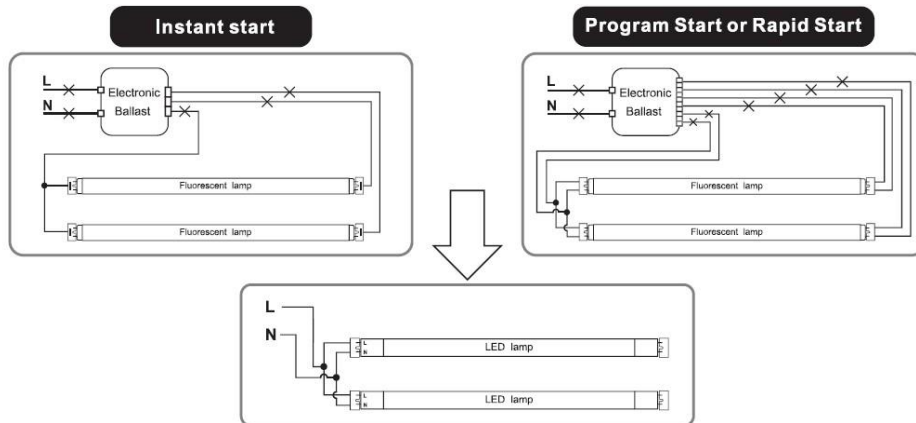
Single-ended Wiring

NOTE: The below ballast wiring represent typical configuration. The actual ballast wiring varies according to the ballast model. The socket should be non-shunted.

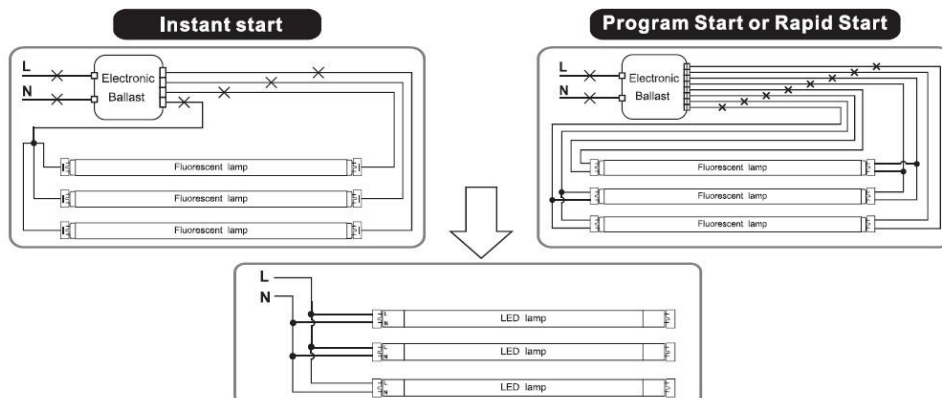
Retrofit Luminaire with 1 Lamp



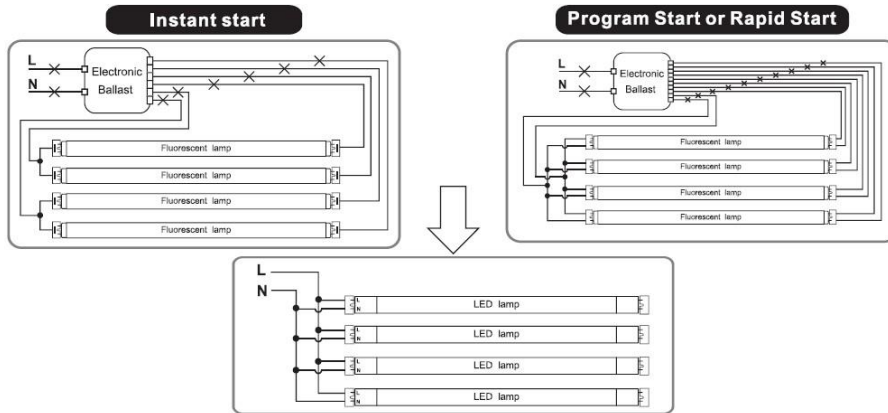
Retrofit Luminaire with 2 Lamps



Retrofit Luminaire with 3 Lamps



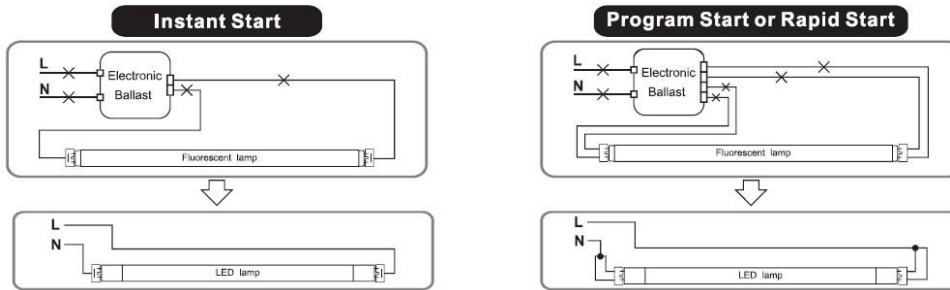
Retrofit Luminaire with 4 Lamps



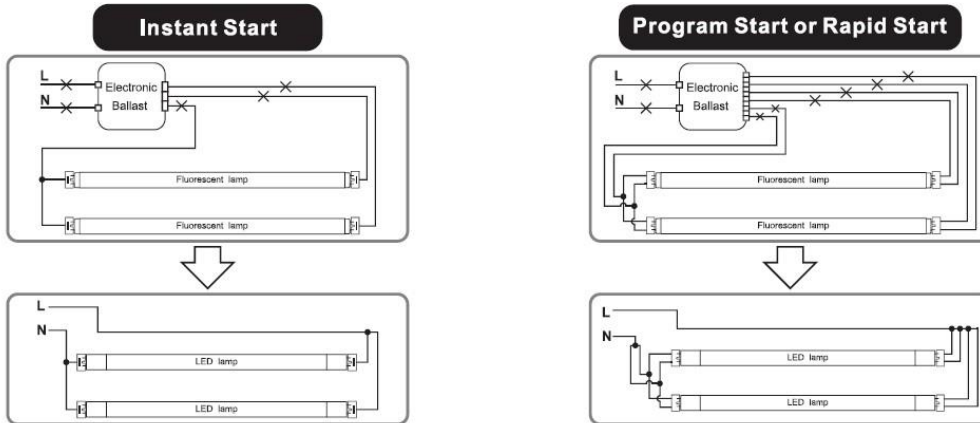
Double-ended Wiring

NOTE: The below ballast wiring represents typical configuration. The actual ballast wiring varies according to the ballast model. Changing out the socket (if in good condition) is not required to operate doubled-ended lamps, regardless of the type of sockets. Please make sure one side of the fixture is connected to Live (L) and the other side to Neutral (N).

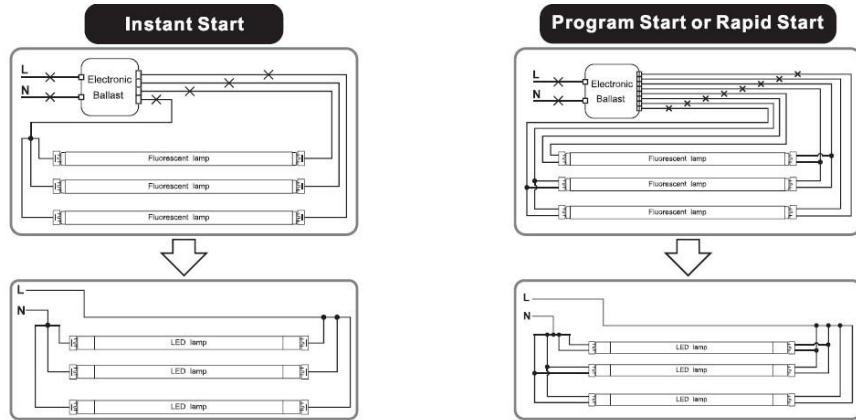
Retrofit Luminaire with 1 Lamp



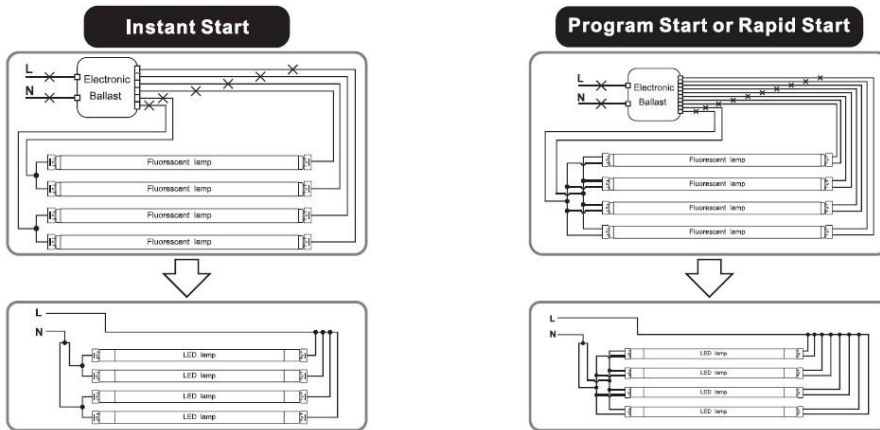
Retrofit Luminaire with 2 Lamps



Retrofit Luminaire with 3 Lamps

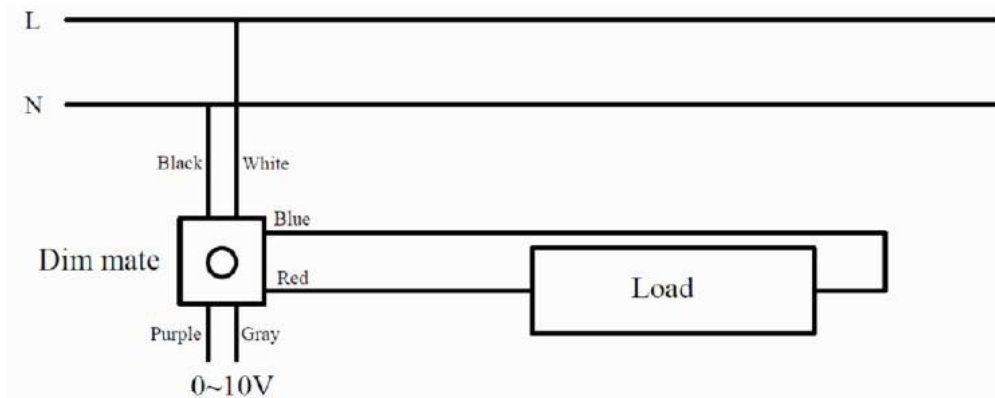


Retrofit Luminaire with 4 Lamps



Wiring Diagram

0-10V continuous dimming by selected Dimming mate. Please refer to the wiring diagram below. 'Dimmable via an external accessory' in definition of DLC V5.1.





FCC Warning

- This device complies with Part 15 of the FCC Rules. Operation is subject to the following two conditions: (1) this device may not cause harmful interference, and (2) this device must accept any interference received, including interference that may cause undesired operation.

⚠ WARNING

- Before installing, servicing, or performing routine maintenance upon this equipment, follow these general precautions.
- To reduce the risk of death, personal injury, or property damage from fire, electric shock, falling parts, cuts/abrasions, and other hazards, read all warnings and instructions included with and on the fixture box and all fixture labels.
- Proper grounding is required to ensure safety.
- Power must be turned off at the breaker before installation or maintenance.
- This product must be installed in accordance with the applicable installation code by a person familiar with the construction and operation of the product and the hazards involved.
- Wear gloves and eye protection at all times while installing, servicing, or performing maintenance on the luminaire, and avoid direct eye exposure to the light source while it is on.
- To prevent wiring damage or abrasion, do not expose wiring to edges of sheet metal or other sharp objects.
- Do not install damaged product. Inspect luminaire for damage that may have occurred during transit. If damaged, contact the manufacturer immediately.
- These instructions do not purport to cover all details or variations in equipment nor to provide every possible contingency to meet in connection with installation, operation, or maintenance. Should further information be desired or should particular problems arise which are not covered sufficiently for the purchaser's or owner's purposes, contact the manufacturer.

⚠ ADVERTENCIA

- Antes de instalar, reparar o realizar el mantenimiento de rutina de este equipo, siga estas precauciones generales.
- Para reducir el riesgo de muerte, lesiones personales o daños a la propiedad por fuego, descarga eléctrica, caída de piezas, cortes / abrasiones y otros peligros, lea todas las advertencias y instrucciones incluidas con y en la caja del dispositivo y todas las etiquetas del dispositivo.
- Se requiere una conexión a tierra adecuada para garantizar la seguridad.
- Se debe apagar la energía en el disyuntor antes de la instalación o el mantenimiento.
- Este producto debe ser instalado de acuerdo con el código de instalación aplicable por una persona familiarizada con la construcción y operación del producto y los peligros involucrados.
- Utilice guantes y protección para los ojos en todo momento durante la instalación, el servicio o el mantenimiento de la luminaria, y evite la exposición directa de los ojos a la fuente de luz mientras está encendida.
- Para evitar daños o abrasiones en el cableado, no exponga el cableado a bordes de láminas de metal u otros objetos afilados.
- No instale un producto dañado. Inspeccione la luminaria en busca de daños que puedan haber ocurrido durante el tránsito. Si está dañado, comuníquese con el fabricante de inmediato.



2FT/3FT/4FT COLOR SELECTABLE LED T8 BALLAST BYPASS TUBE WARNING, CAUTION, SAFETY AND INSTALLATION INSTRUCTIONS

- Estas instrucciones no pretenden cubrir todos los detalles o variaciones en el equipo ni proporcionar todas las posibles contingencias a cumplir en relación con la instalación, operación o mantenimiento. Si desea obtener más información o si surgen problemas particulares que no están suficientemente cubiertos para los propósitos del comprador o propietario, comuníquese con el fabricante.