



LED Tape Light Channel – Recessed Mount

DESCRIPTION

Create custom fixtures for your LED tape light with these recessed channels and their compatible accessories.

FEATURES

- Comes with opaque lens
- Channel and lens can be cut to desired length
- Embeds into flat surfaces for a seamless look
- Designed for LED tape light no wider than 24mm/0.94 in
- Requires additional accessories to complete installation; see Accessories section for full list of compatible accessories.

LISTINGS

- Indoor/dry locations
- RoHS

CONSTRUCTION

- Aluminum with either black or anodized finish
- Frosted PC lens protects the tape light while diffusing light output

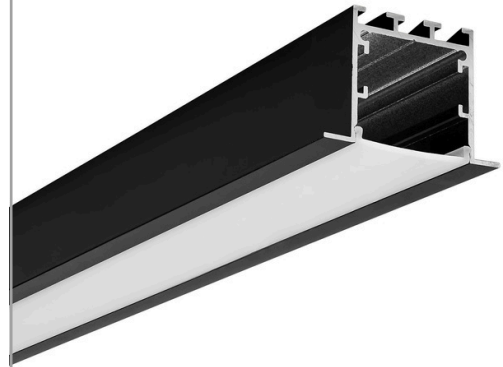
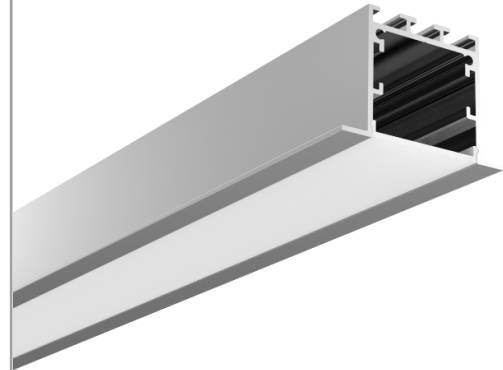
INSTALLATION

- Recessed mount into flat surfaces with spring clips (sold separately); see Installation Instructions for more information.

WARRANTY

- 3-year limited warranty; see pltsolutions.com for warranty details

Project name	Type
Catalog number	
Comments	Voltage
Approved by	Date



RoHS
Compliant

APPLICATIONS

- Display Cases
- Coves
- Under Cabinets
- Shelves
- Staircase Steps

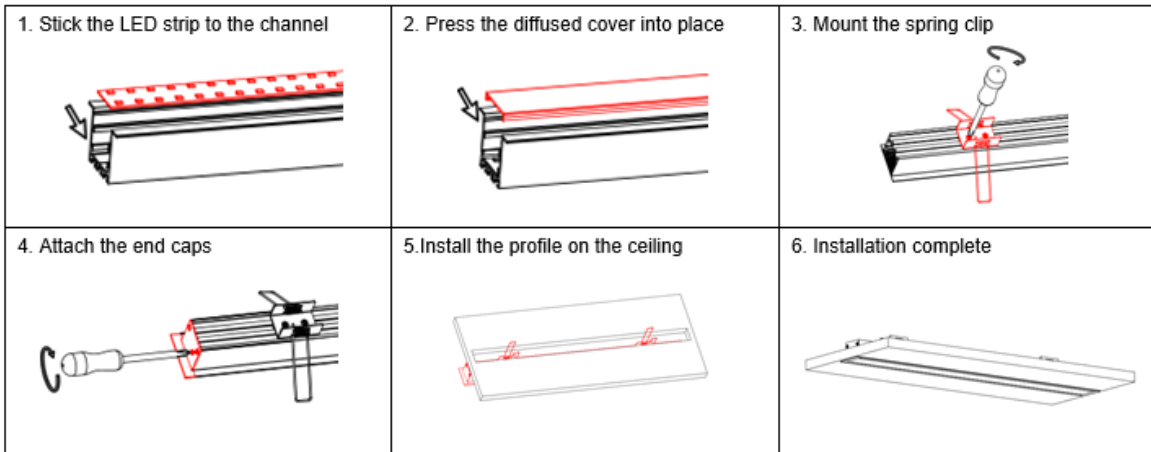
PERFORMANCE SUMMARY

Item #	Mounting	Beam Angle	Tape Light Max. Width	Finish	Length
PLT-12886	Recessed	100°	24mm	Black	6.6'
PLT-12887	Recessed	100°	24mm	Anodized	6.6'

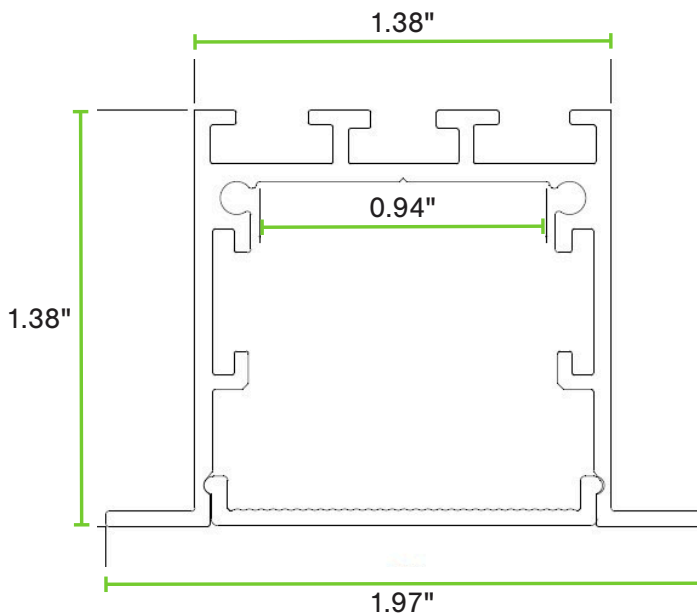
ACCESSORIES

SKU	Description	Compatible With
PLT-12888	End Cap – Silver – 2 Pack	PLT-12887
PLT-12889	End Cap – Black – 2 Pack	PLT-12886
PLT-12890	Metal Mounting Spring Clip	PLT-12886, PLT-12887
PLT-12891	180 Deg. Flat Linking Bracket – 2 Pack	PLT-12886, PLT-12887, PLT-12894, PLT-12895
PLT-12892	90 Deg. Flat Metal Linking Bracket – 2 Pack	PLT-12886, PLT-12887, PLT-12894, PLT-12895
PLT-12893	90 Deg. Vertical Metal Linking Bracket – 2 Pack	PLT-12886, PLT-12887, PLT-12894, PLT-12895

INSTALLATION



DIMENSIONS



CHANNEL

Height – 1.38"

Width – 1.38"

Width w/ Flange – 1.97"

Inner Channel Width – 0.94"

Length – 6.6'

Weight – 3.14 lbs