



# LED Tape Light Channel – Surface or Pendant Mount

## DESCRIPTION

Create custom fixtures for your LED tape light with these surface and pendant channels and their compatible accessories.

## FEATURES

- Comes with opaque lens
- Channel and lens can be cut to desired length
- Surface mount to flat surfaces or suspend using pendants
- Designed for LED tape light no wider than 24mm/0.94 in
- Requires additional accessories to complete installation; see Accessories section for full list of compatible accessories.

## LISTINGS

- Indoor/dry locations
- RoHS

## CONSTRUCTION

- Aluminum with either black or anodized finish
- Frosted PC lens protects the tape light while diffusing light output

## INSTALLATION

- Surface mount with mounting clips (sold separately) or suspension with cables (sold separately); see Installation Instructions for more information.

## WARRANTY

- 3-year limited warranty; see [pltsolutions.com](http://pltsolutions.com) for warranty details

|                       |                |
|-----------------------|----------------|
| <b>Project name</b>   | <b>Type</b>    |
| <b>Catalog number</b> |                |
| <b>Comments</b>       | <b>Voltage</b> |
| <b>Approved by</b>    | <b>Date</b>    |



## APPLICATIONS

- Display Cases
- Coves
- Under Cabinets & Shelves
- Offices
- Retail Stores

## PERFORMANCE SUMMARY

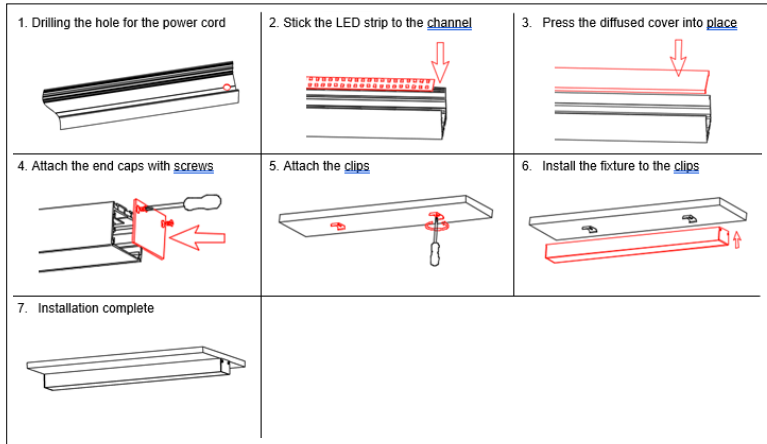
| Item #    | Mounting            | Beam Angle | Tape Light Max. Width | Finish   | Length |
|-----------|---------------------|------------|-----------------------|----------|--------|
| PLT-12894 | Surface/<br>Pendant | 100°       | 24mm                  | Black    | 6.6'   |
| PLT-12895 | Surface/<br>Pendant | 100°       | 24mm                  | Anodized | 6.6'   |

## ACCESSORIES

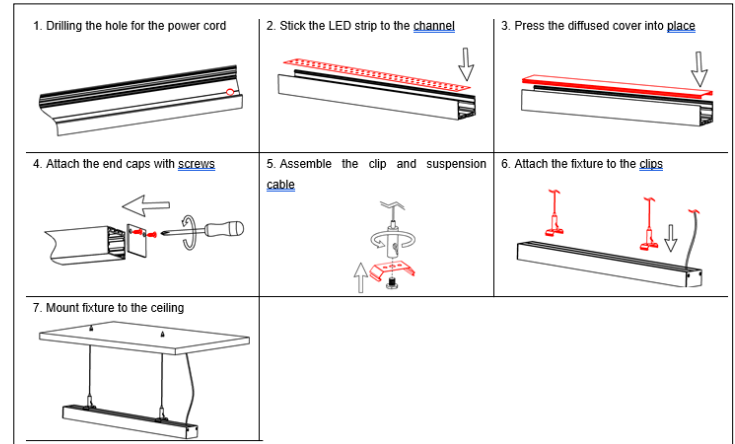
| SKU       | Description                               | Compatible With                            |
|-----------|---|--|
| PLT-12896 | End Cap – Silver – 2 Pack                 | PLT-12895                                  |
| PLT-12897 | End Cap – Black – 2 Pack                  | PLT-12894                                  |
| PLT-12898 | Metal Mounting Bracket                    | PLT-12894, PLT-12895                       |
| PLT-12899 | Suspension Cable                          | PLT-12894, PLT-12895                       |
| PLT-12891 | 180 Deg. Flat Linking Bracket – 2 Pack    | PLT-12886, PLT-12887, PLT-12894, PLT-12895 |
| PLT-12892 | 90 Deg. Flat Linking Bracket – 2 Pack     | PLT-12886, PLT-12887, PLT-12894, PLT-12895 |
| PLT-12893 | 90 Deg. Vertical Linking Bracket – 2 Pack | PLT-12886, PLT-12887, PLT-12894, PLT-12895 |

## INSTALLATION

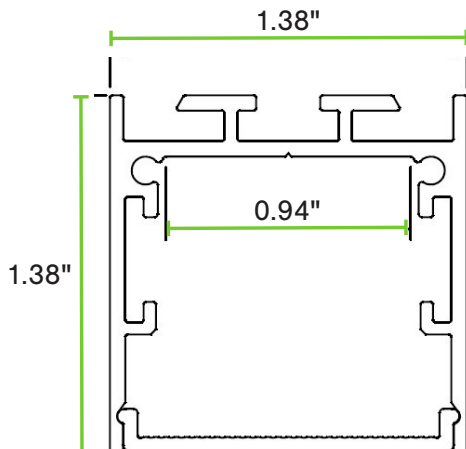
### SURFACE



### SUSPENSION



## DIMENSIONS



### CHANNEL

Height – 1.38"

Width – 1.38"

Inner Channel Width – 0.94"

Length – 6.6'

Weight – 2.9 lbs