



LED Tape Light Channel – Mud-In Recessed

DESCRIPTION

Create custom fixtures for your LED tape light with these mud-in recessed channels and their compatible accessories.

FEATURES

- Comes with opaque lens
- Channel and lens can be cut to desired length
- Recesses into walls or ceilings; mud-in flange provides a seamless look
- Designed for LED tape light no wider than 20mm/0.79 in
- Requires additional accessories to complete installation; see Accessories section for full list of compatible accessories.

LISTINGS

- Indoor/dry locations
- RoHS

CONSTRUCTION

- Aluminum with anodized finish
- Frosted PC lens protects the tape light while diffusing light output

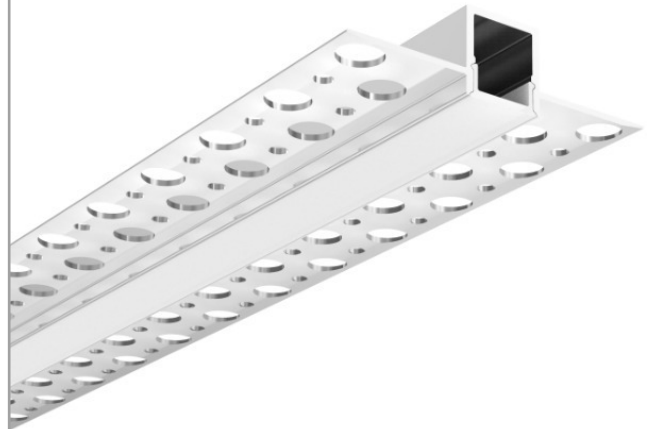
INSTALLATION

- Mud-in recessed mount into drywall; see Installation Instructions for more information.

WARRANTY

- 3-year limited warranty; see pltsolutions.com for warranty details

Project name	Type
Catalog number	
Comments	Voltage
Approved by	Date



APPLICATIONS

- Walls
- Ceilings

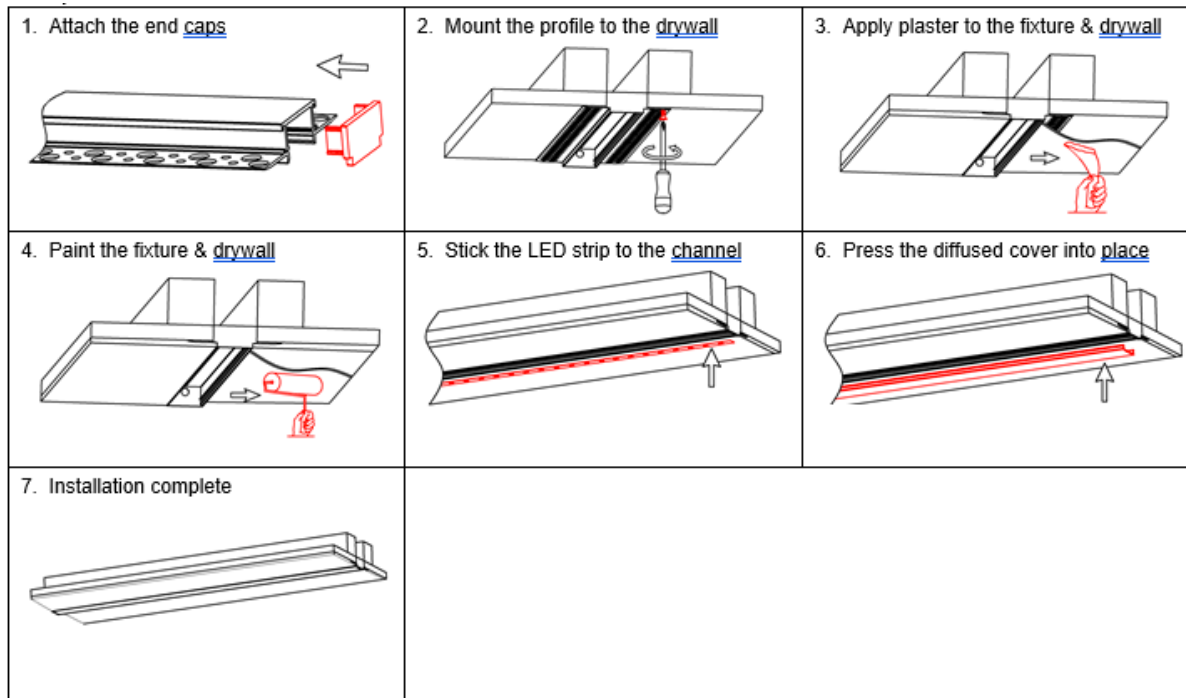
PERFORMANCE SUMMARY

Item #	Mounting	Beam Angle	Tape Light Max. Width	Finish	Length
PLT-12902	Mud-In Recessed	100°	20mm	Anodized	6.6'

ACCESSORIES

SKU	Description	Compatible With
PLT-12903	End Cap - Grey - 2 Pack	PLT-12902
PLT-12904	Straight Metal Joiner - 2 Pack	PLT-12902
PLT-12905	90 Deg. Flat Metal Linking Bracket - 2 Pack	PLT-12902
PLT-12906	90 Deg. Vertical Metal Linking Bracket - 2 Pack	PLT-12902
PLT-12907	120 Deg. Flat Metal Linking Bracket - 2 Pack	PLT-12902
PLT-12908	120 Deg. Vertical Metal Linking Bracket - 2 Pack	PLT-12902

INSTALLATION



DIMENSIONS

CHANNEL

Height - 0.55"

Width - 1.12"

Width w/ flange - 2.42"

Inner Channel Width - 0.82"

Length - 6.6'

Weight - 1.65 lbs