



LED Tape Light Channel – Mud-In Recessed

DESCRIPTION

Create custom fixtures for your LED tape light with these mud-in recessed channels and their compatible accessories.

FEATURES

- Comes with opaque lens
- Channel and lens can be cut to desired length
- Recesses into walls or ceilings; mud-in flange provides a seamless look
- Designed for LED tape light no wider than 46mm/1.81 in
- Requires additional accessories to complete installation; see Accessories section for full list of compatible accessories.

LISTINGS

- Indoor/dry locations
- RoHS

CONSTRUCTION

- Aluminum with anodized finish
- Frosted PC lens protects the tape light while diffusing light output

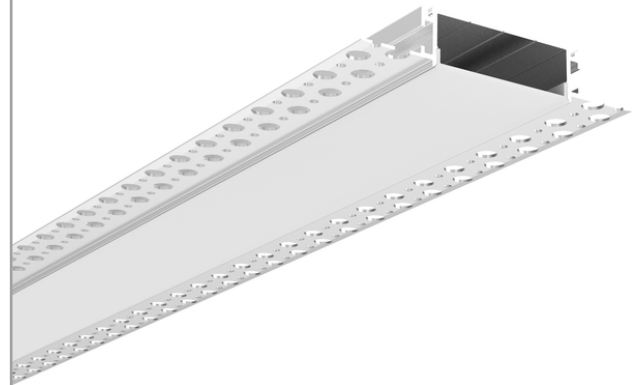
INSTALLATION

- Mud-in recessed mount into drywall; see Installation Instructions for more information.

WARRANTY

- 3-year limited warranty; see pltsolutions.com for warranty details

Project name	Type
Catalog number	
Comments	Voltage
Approved by	Date



APPLICATIONS

- Walls
- Ceilings

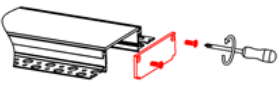
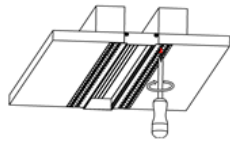
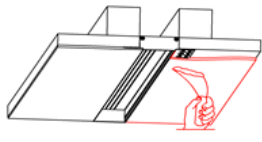
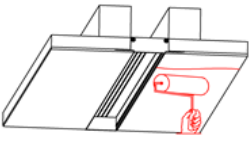
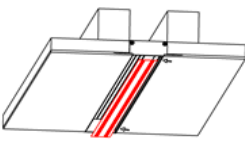
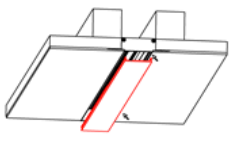
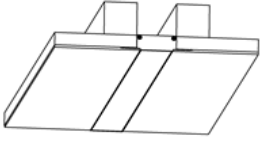
PERFORMANCE SUMMARY

Item #	Mounting	Beam Angle	Tape Light Max. Width	Finish	Length
PLT-12917	Mud-In Recessed	100°	46mm	Anodized	6.6'

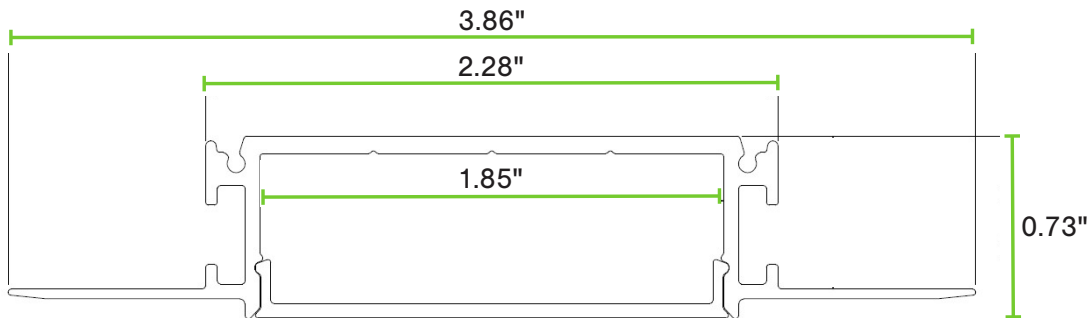
ACCESSORIES

SKU	Description	Compatible With
PLT-12918	End Cap – Grey – 2 Pack	PLT-12902
PLT-12911	Straight Metal Joiner – 2 Pack	PLT-12909, PLT-12917, PLT-12919, PLT-12920, PLT-12924, PLT-12925
PLT-12912	90 Deg. Flat Metal Linking Bracket – 2 Pack	PLT-12909, PLT-12917, PLT-12919, PLT-12920, PLT-12924, PLT-12925
PLT-12913	90 Deg. Vertical Metal Linking Bracket – 2 Pack	PLT-12909, PLT-12917, PLT-12919, PLT-12920, PLT-12924, PLT-12925
PLT-12914	120 Deg. Flat Metal Linking Bracket – 2 Pack	PLT-12909, PLT-12917, PLT-12919, PLT-12920, PLT-12924, PLT-12925
PLT-12914	120 Deg. Vertical Metal Linking Bracket – 2 Pack	PLT-12909, PLT-12917, PLT-12919, PLT-12920, PLT-12924, PLT-12925
PLT-12916	135 Deg. Flat Metal Linking Bracket – 2 Pack	PLT-12909, PLT-12917, PLT-12919, PLT-12920, PLT-12924, PLT-12925

INSTALLATION

- Attach the end caps with [screws](#)

- Mount the profile on the [ceiling](#)

- Apply plaster to the fixture & [drywall](#)

- Paint the fixture & [drywall](#)

- Stick the LED strips to the [channel](#)

- Press the diffused cover into [place](#)

- Installation complete
 

DIMENSIONS



CHANNEL

Height – 0.73"

Width – 2.28"

Width w/ flange – 3.86"

Inner Channel Width – 1.85"

Length – 6.6'

Weight – 3.2 lbs