



# LED Tape Light Channel – Surface Mount

## DESCRIPTION

Create custom fixtures for your LED tape light with these surface channels and their compatible accessories.

## FEATURES

- Comes with opaque lens
- Channel and lens can be cut to desired length
- Designed for LED tape light no wider than 12mm/0.47 in
- Requires additional accessories to complete installation; see Accessories section for full list of compatible accessories.

## LISTINGS

- Indoor/dry locations
- RoHS

## CONSTRUCTION

- Aluminum with either black or anodized finish
- Frosted PC lens protects the tape light while diffusing light output

## INSTALLATION

- Surface mount to flat surfaces with mounting clips (sold separately); see Installation Instructions for more information.

## WARRANTY

- 3-year limited warranty; see [pltsolutions.com](http://pltsolutions.com) for warranty details

<b>Project name</b>	<b>Type</b>
<b>Catalog number</b>	
<b>Comments</b>	<b>Voltage</b>
<b>Approved by</b>	<b>Date</b>



## APPLICATIONS

- Display Cases
- Covers
- Under Cabinets
- Shelves
- Staircases


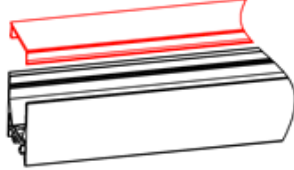
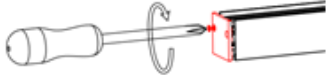



## PERFORMANCE SUMMARY

Item #	Mounting	Beam Angle	Tape Light Max. Width	Finish	Length
PLT-12919	Surface	100°	12mm	Black	6.6'
PLT-12920	Surface	100°	12mm	Anodized	6.6'

## ACCESSORIES

SKU	Description	Compatible With
PLT-12921	End Cap – Black – 2 Pack	PLT-12920
PLT-12922	End Cap – Grey – 2 Pack	PLT-12919
PLT-12923	Metal Mounting Clip	PLT-12919, PLT-12920
PLT-12911	Straight Metal Joiner – 2 Pack	PLT-12909, PLT-12917, PLT-12919, PLT-12920, PLT-12924, PLT-12925
PLT-12912	90 Deg. Flat Metal Linking Bracket – 2 Pack	PLT-12909, PLT-12917, PLT-12919, PLT-12920, PLT-12924, PLT-12925
PLT-12913	90 Deg. Vertical Metal Linking Bracket – 2 Pack	PLT-12909, PLT-12917, PLT-12919, PLT-12920, PLT-12924, PLT-12925
PLT-12914	120 Deg. Flat Metal Linking Bracket – 2 Pack	PLT-12909, PLT-12917, PLT-12919, PLT-12920, PLT-12924, PLT-12925
PLT-12914	120 Deg. Vertical Metal Linking Bracket – 2 Pack	PLT-12909, PLT-12917, PLT-12919, PLT-12920, PLT-12924, PLT-12925
PLT-12916	135 Deg. Flat Metal Linking Bracket – 2 Pack	PLT-12909, PLT-12917, PLT-12919, PLT-12920, PLT-12924, PLT-12925

## INSTALLATION

<p>1. Stick the LED strip to the <a href="#">channel</a></p> 	<p>2. Press the cover into place</p> 	<p>3. Attach the end caps</p> 
<p>4. Install the clips on the surface</p> 	<p>6. Attach the profile to the clips</p> 	<p>6. Installation complete</p> 

## DIMENSIONS

### CHANNEL

Height – 1”

Width – 1”

Inner Channel Width – 0.52”

Length – 6.6’

Weight – 1.98 lbs