



LED Tape Light Channel – Surface or Pendant Mount

DESCRIPTION

Create custom fixtures for your LED tape light with these surface and pendant channels and their compatible accessories.

FEATURES

- Comes with opaque lens
- Channel and lens can be cut to desired length
- Surface mount to flat surfaces or suspend using pendants
- Designed for LED tape light no wider than 24mm/0.94 in
- Requires additional accessories to complete installation; see Accessories section for full list of compatible accessories.

LISTINGS

- Indoor/dry locations
- RoHS

CONSTRUCTION

- Aluminum with either black or anodized finish
- Frosted PC lens protects the tape light while diffusing light output

INSTALLATION

- Surface mount with mounting clips (sold separately) or suspension with cables (sold separately); see Installation Instructions for more information.

WARRANTY

- 3-year limited warranty; see pltsolutions.com for warranty details

Project name	Type
Catalog number	
Comments	Voltage
Approved by	Date



APPLICATIONS

- Display Cases
- Covers
- Under Cabinets & Shelves
- Offices
- Retail Stores

PERFORMANCE SUMMARY

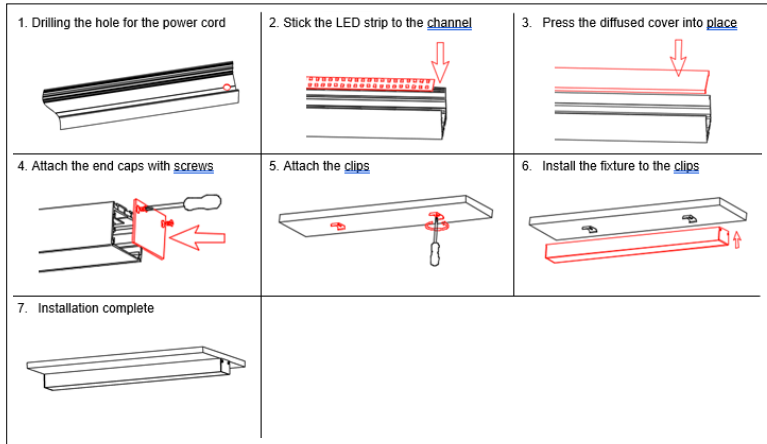
Item #	Mounting	Beam Angle	Tape Light Max. Width	Finish	Length
PLT-12894	Surface/ Pendant	100°	24mm	Black	6.6'
PLT-12895	Surface/ Pendant	100°	24mm	Anodized	6.6'

ACCESSORIES

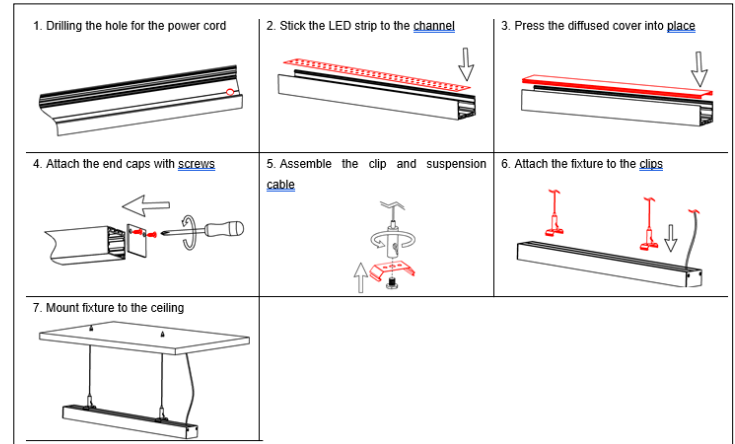
SKU	Description	Compatible With
PLT-12896	End Cap – Silver – 2 Pack	PLT-12895
PLT-12897	End Cap – Black – 2 Pack	PLT-12894
PLT-12898	Metal Mounting Bracket	PLT-12894, PLT-12895
PLT-12899	Suspension Cable	PLT-12894, PLT-12895
PLT-12891	180 Deg. Flat Linking Bracket – 2 Pack	PLT-12886, PLT-12887, PLT-12894, PLT-12895
PLT-12892	90 Deg. Flat Linking Bracket – 2 Pack	PLT-12886, PLT-12887, PLT-12894, PLT-12895
PLT-12893	90 Deg. Vertical Linking Bracket – 2 Pack	PLT-12886, PLT-12887, PLT-12894, PLT-12895

INSTALLATION

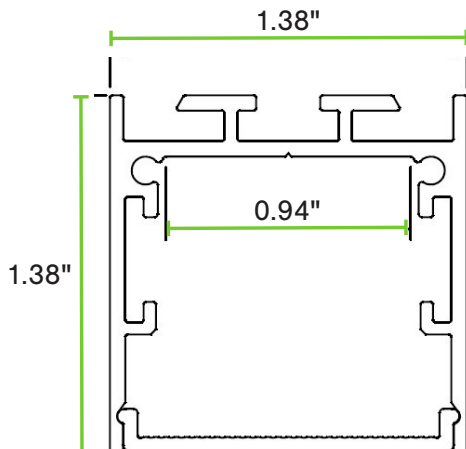
SURFACE



SUSPENSION



DIMENSIONS



CHANNEL

Height – 1.38"

Width – 1.38"

Inner Channel Width – 0.94"

Length – 6.6'

Weight – 2.9 lbs