

DESCRIPTION

Add these easy to install color selectable 3” gimbal LED downlight fixtures as part of new construction or renovation projects.

FEATURES

- Energy efficient replacement for 60W incandescents
- Light output will vary depending on the color temperature selected, see Selectable Table for more information
- Gimbal light rotates 30° in any direction, allowing you to aim the light where it’s needed most.
- IC Rated and air-tight
- Does not require a recessed housing
- High color rendering index (CRI) of 90 makes colors appear more accurate
- Dimmable; see Compatible Dimmers section for full list of compatible dimmers
- Color temperature can be adjusted via switch on the top of the fixture; see installation instructions for more information

LISTINGS

- ETL Listed for wet locations
- JA8
- IC Rated

PERFORMANCE

- CRI: 90
- CCT: 2700K, 3000K, 3500K, 4000K, and 5000K
- Rated Lifetime L70: 50,000 hours

ELECTRICAL

- THD: 19.3%
- Power Factor: >0.9
- Input Voltage: 120V
- Surge protection: 2.5kV

THERMAL

- -4°F to 104°F (-20°C to 40°C) operating temperature

CONSTRUCTION

- Aluminum body and round trim, both with white finish
- Clear acrylic lens

WARRANTY

- 3-year limited warranty; see pltsolutions.com for warranty details

project name	type
catalog number	
comments	voltage
approved by	date



APPLICATIONS

- Offices
- Lobbies
- Hotels
- Retail Stores
- Conference Rooms
- Living Rooms
- Hallways
- Bathrooms
- Laundry Rooms

PERFORMANCE	Power Consumption*	8 Watt
	CRI	90
	CCT*	2700K, 3000K, 3500K, 4000K, 5000K
	Beam Angle	38°
	LED L70 Life Hours	50,000
ELECTRICAL	Power Factor	>0.9
	THD	19.3%
	Input Voltage	120V
CONSTRUCTION	Housing	Aluminum
	Lens	Clear
LISTINGS	Certifications	ETL Listed, IC
	Environment	Wet Location Rated

* See Selectable Table for full breakdown

PERFORMANCE SUMMARY

Item #	Size	Wattage	CCT*	Voltage	Replaces	CRI	LED L70 Life Hours	Dimmable
--------	------	---------	------	---------	----------	-----	--------------------	----------

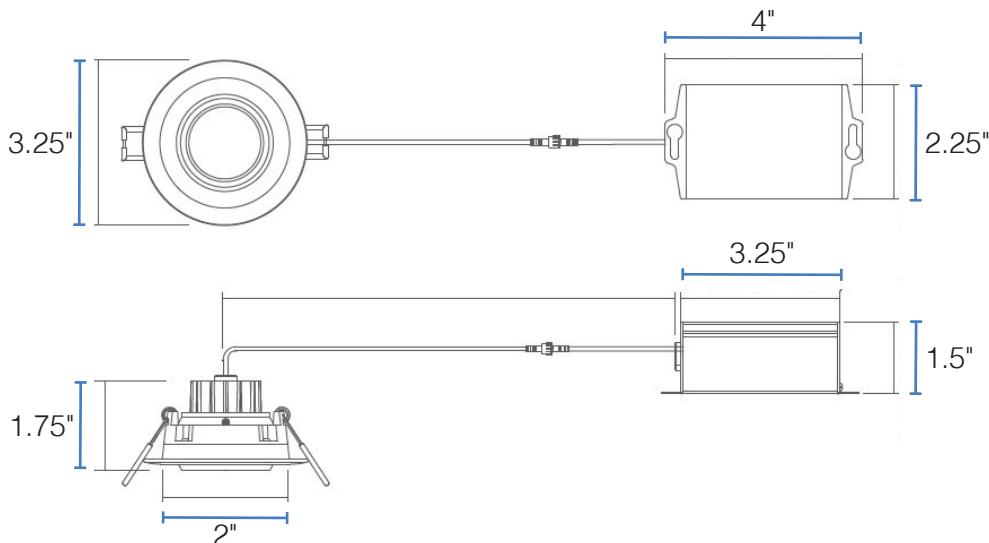
PLT-12606	3"	8	2700K/ 3000K/ 3500K/ 4000K/ 5000K	120V	60W	90	50,000	Yes
-----------	----	---	---	------	-----	----	--------	-----

* See Selectable Table for full breakdown

SELECTABLE TABLE

Wattage	CCT	Lumen	Efficacy
8	2700K	581	72
	3000K	620	77
	3500K	672	84
	4000K	700	87
	5000K	713	89

DOWNLIGHT ENGINE DIMENSIONS



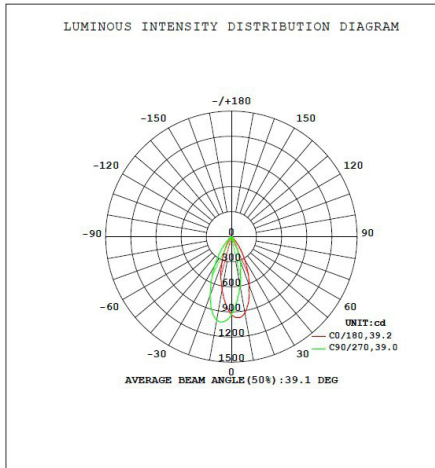
DIMENSIONS

- Height – 1.75"
- Inside Diameter – 2"
- Outside Diameter – 3.25"
- Cable Length – 11.75"
- Driver Box Length – 3.25"
- Driver Box Length w/ Screw Mounts – 4"
- Driver Box Height – 1.5"
- Driver Box Width – 2.25"
- Weight – 0.68 lbs

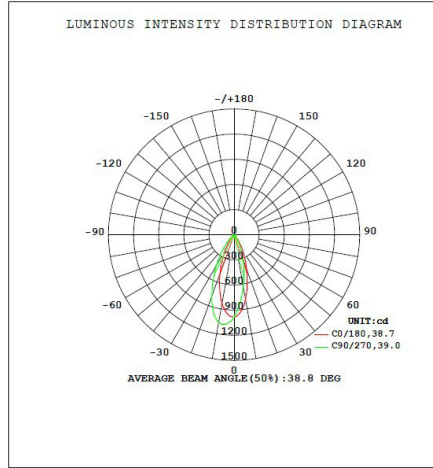
COMPATIBLE DIMMERS

Brand	Model	Load	Dimmability
LUTRON	AYCL-153P	150W	10%-100%
	DV-600PR	600W	1%-100%
	DVCL-153P	150W	10%-100%
	MACL-153MH	600W	10%-100%
	MRF2-6CL	600W	10%-100%
	D-600P	600W	10%-100%
	NTELV-300P	600W	10%-100%
	S-600P	600W	10%-100%
	CT-600P	600W	1%-100%
	CTCL-153P	600W	10%-100%
	TG-600P	600W	10%-100%
	TCCL-153P	600W	1%-100%
	LEVITON	6633	600W
6674		700W	20%-100%
6602		700W	10%-100%
IPL06		1000W	1%-100%
LEGRAND	ADTP703TU	300W	20%-100%
	H703PTW	150W	10%-100%
COOPER	9540	600W	10%-100%
	DAL06P	150W	10%-100%

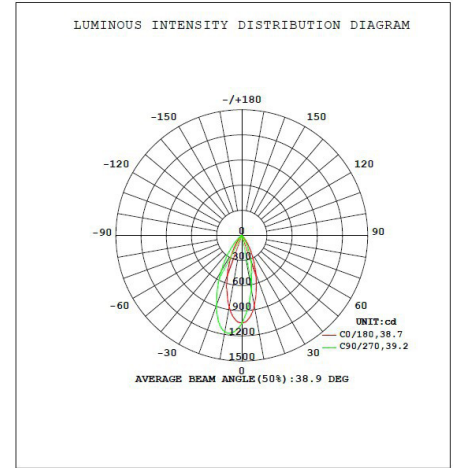
2700K



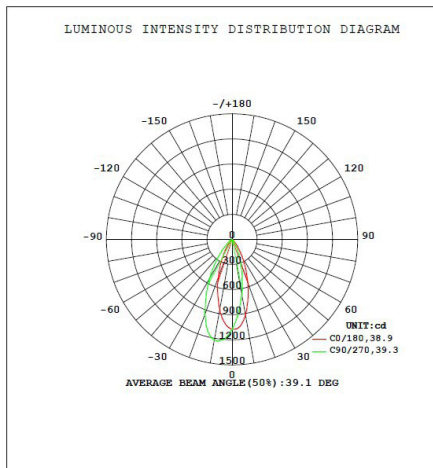
3000K



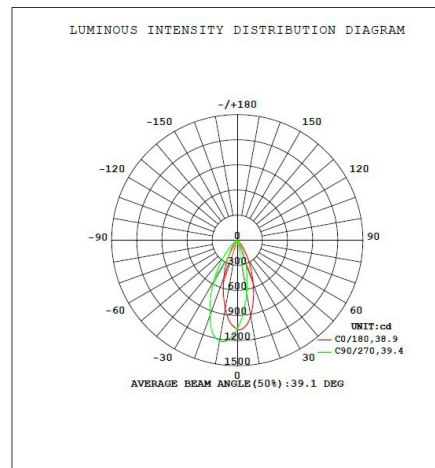
3500K



4000K



5000K



WARNINGS

- Only use this LED downlight with the dimmers listed in the compatibility list. Using this downlight with incompatible dimmers may cause performance issues including humming, buzzing, flickering, and poor dimming performance.
- Hole cut size - 2.75"