

DESCRIPTION

Add these easy to install color selectable 3" gimbal LED downlight fixtures as part of new construction or renovation projects.

FEATURES

- Energy efficient replacement for 60W incandescents
- Light output will vary depending on the color temperature selected, see Selectable Table for more information
- Gimbal light rotates 30° in any direction, allowing you to aim the light where it's needed most.
- IC Rated and air-tight
- Does not require a recessed housing
- High color rendering index (CRI) of 90 makes colors appear more accurate
- Dimmable; see Compatible Dimmers section for full list of compatible dimmers
- Color temperature can be adjusted via switch on the top of the fixture; see installation instructions for more information

LISTINGS

- ETL Listed for wet locations
- JA8
- IC Rated

PERFORMANCE

- CRI: 90
- CCT: 2700K, 3000K, 3500K, 4000K, and 5000K
- Rated Lifetime L70: 50,000 hours

ELECTRICAL

- THD: 19.3%
- Power Factor: >0.9
- Input Voltage: 120V
- Surge protection: 2.5kV

THERMAL

- -4°F to 104°F (-20°C to 40°C) operating temperature

CONSTRUCTION

- Aluminum body and round trim, both with white finish
- Clear acrylic lens

WARRANTY

- 3-year limited warranty; see pltsolutions.com for warranty details

| | |
|----------------|---------|
| project name | type |
| catalog number | |
| comments | voltage |
| approved by | date |



APPLICATIONS

- Offices
- Lobbies
- Hotels
- Retail Stores
- Conference Rooms
- Living Rooms
- Hallways
- Bathrooms
- Laundry Rooms

| | | |
|---------------------|---------------------------|-----------------------------------|
| PERFORMANCE | Power Consumption* | 8 Watt |
| | CRI | 90 |
| | CCT* | 2700K, 3000K, 3500K, 4000K, 5000K |
| | Beam Angle | 38° |
| | LED L70 Life Hours | 50,000 |
| ELECTRICAL | Power Factor | >0.9 |
| | THD | 19.3% |
| | Input Voltage | 120V |
| CONSTRUCTION | Housing | Aluminum |
| | Lens | Clear |
| LISTINGS | Certifications | ETL Listed, IC |
| | Environment | Wet Location Rated |

* See Selectable Table for full breakdown

PERFORMANCE SUMMARY

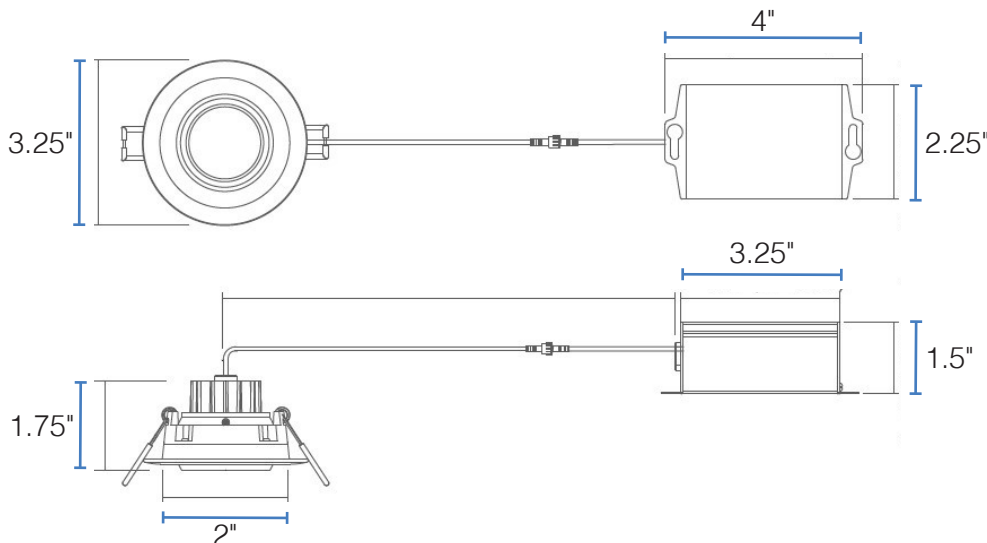
| Item # | Size | Wattage | CCT* | Voltage | Replaces | CRI | LED L70 Life Hours | Dimmable |
|-----------|------|---------|---|---------|----------|-----|--------------------|----------|
| PLT-12606 | 3" | 8 | 2700K/ 3000K/ 3500K/ 4000K/ 5000K | 120V | 60W | 90 | 50,000 | Yes |

* See Selectable Table for full breakdown

SELECTABLE TABLE

| Wattage | CCT | Lumen | Efficacy |
|---------|-------|-------|----------|
| 8 | 2700K | 581 | 72 |
| | 3000K | 620 | 77 |
| | 3500K | 672 | 84 |
| | 4000K | 700 | 87 |
| | 5000K | 713 | 89 |

DOWNLIGHT ENGINE DIMENSIONS



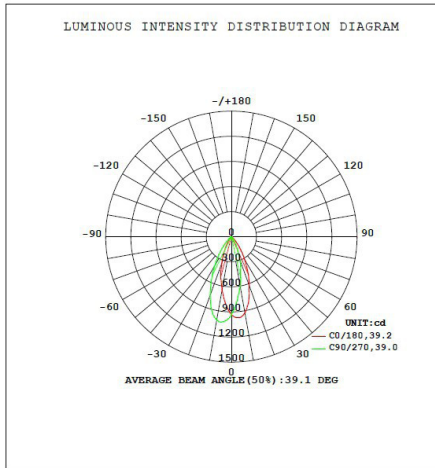
DIMENSIONS

Height – 1.75"
 Inside Diameter – 2"
 Outside Diameter – 3.25"
 Cable Length – 11.75"
 Driver Box Length – 3.25"
 Driver Box Length w/ Screw Mounts – 4"
 Driver Box Height – 1.5"
 Driver Box Width – 2.25"
 Weight – 0.68 lbs

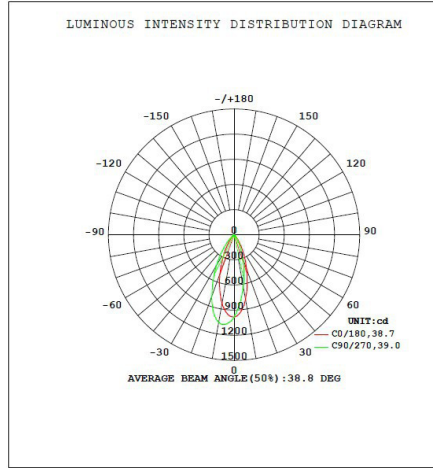
COMPATIBLE DIMMERS

| Brand | Model | Load | Dimmability |
|---------|------------|-------|-------------|
| LUTRON | AYCL-153P | 150W | 10%-100% |
| | DV-600PR | 600W | 1%-100% |
| | DVCL-153P | 150W | 10%-100% |
| | MACL-153MH | 600W | 10%-100% |
| | MRF2-6CL | 600W | 10%-100% |
| | D-600P | 600W | 10%-100% |
| | NTELV-300P | 600W | 10%-100% |
| | S-600P | 600W | 10%-100% |
| | CT-600P | 600W | 1%-100% |
| | CTCL-153P | 600W | 10%-100% |
| | TG-600P | 600W | 10%-100% |
| | TCCL-153P | 600W | 1%-100% |
| | LEVITON | 6633 | 600W |
| 6674 | | 700W | 20%-100% |
| 6602 | | 700W | 10%-100% |
| IPL06 | | 1000W | 1%-100% |
| LEGRAND | ADTP703TU | 300W | 20%-100% |
| | H703PTW | 150W | 10%-100% |
| COOPER | 9540 | 600W | 10%-100% |
| | DAL06P | 150W | 10%-100% |

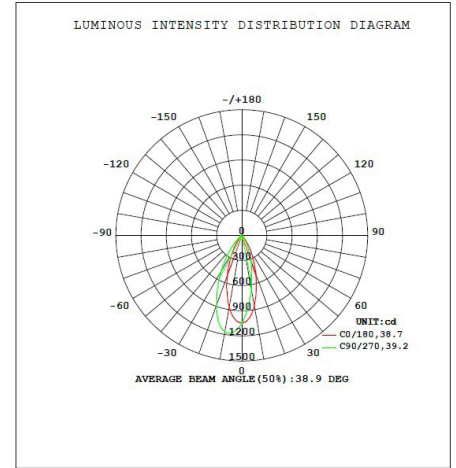
2700K



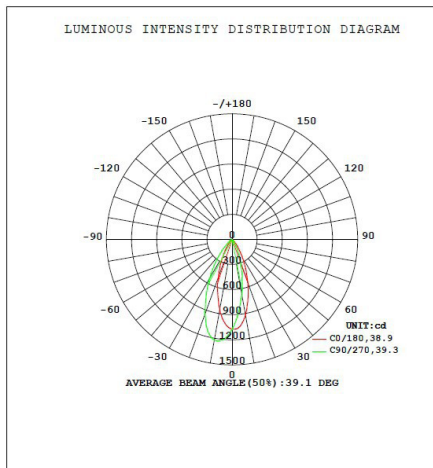
3000K



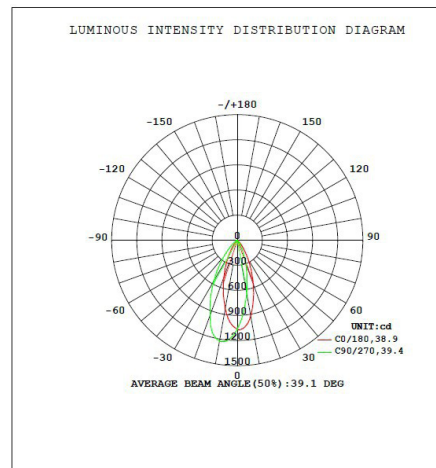
3500K



4000K



5000K



WARNINGS

- Only use this LED downlight with the dimmers listed in the compatibility list. Using this downlight with incompatible dimmers may cause performance issues including humming, buzzing, flickering, and poor dimming performance.
- Hole cut size - 2.88"