



## LED DIMMING DRIVER

### WARNING, CAUTION, SAFETY AND INSTALLATION INSTRUCTIONS

#### WARNING

- Installation, service, and maintenance of luminaries should be performed by a qualified licensed electrician.
- Save these instructions.
- These instructions contain important safety and operating instructions for powering puck lights (PLT-12600, PLT-12601, PLT-12602, and PLT-12603).

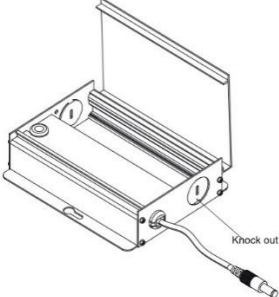
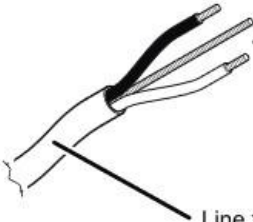
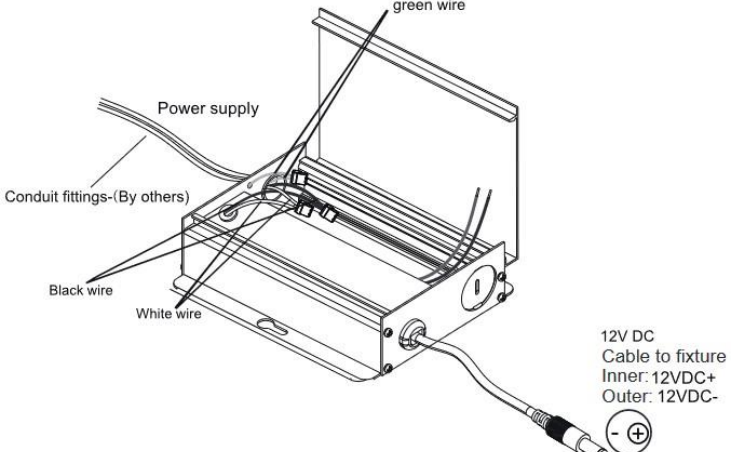
#### CAUTION

- Mount the unit at a height greater than 1 foot from the ground surface.

#### NOTICE

- 10 to 100% dimmable. Drivers are dimmable with most standard Triac dimmers.

#### Installation Instructions

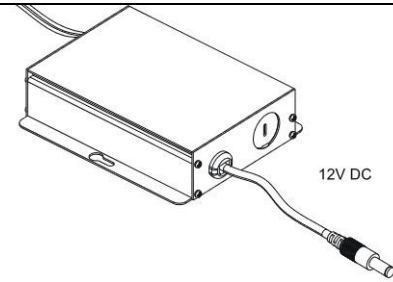
<p>1. Open the cover to make the connections. Remove the appropriate knockouts.</p>	
<p>2. Unshield line feed wire 3" (7.5 cm) and strip wires 3/8" (1 cm).</p>	 <p>Unshield 3" (7.5cm) and strip 3/8" (1 cm).</p> <p>Line feed wire</p>
<p>3. Install the strain relief bushing (included) in the appropriate hole then push the wires through the connector. Make connections in the compartment, matching the white from the line feed with the white wire from the LED driver, the back wire from the line feed to the black wire from the LED driver using the wire connectors (included), and the copper wire from the line feed to the green wire from the LED driver.</p>	 <p>Power supply</p> <p>Conduit fittings-(By others)</p> <p>Black wire</p> <p>White wire</p> <p>green wire</p> <p>12V DC Cable to fixture Inner: 12VDC+ Outer: 12VDC-</p> <p>- +</p>



## LED DIMMING DRIVER

### WARNING, CAUTION, SAFETY AND INSTALLATION INSTRUCTIONS

4. Close the cover, then connect the driver whip to the hub (PLT-12620) and fixture.



### **⚠ WARNING**

- Before installing, servicing, or performing routine maintenance upon this equipment, follow these general precautions.
- To reduce the risk of death, personal injury, or property damage from fire, electric shock, falling parts, cuts/abrasions, and other hazards, read all warnings and instructions included with and on the fixture box and all fixture labels.
- Proper grounding is required to ensure safety.
- Power must be turned off at the breaker before installation or maintenance.
- This product must be installed in accordance with the applicable installation code by a person familiar with the construction and operation of the product and the hazards involved.
- Wear gloves and eye protection at all times while installing, servicing, or performing maintenance on the luminaire, and avoid direct eye exposure to the light source while it is on.
- To prevent wiring damage or abrasion, do not expose wiring to edges of sheet metal or other sharp objects.
- Do not install damaged product. Inspect luminaire for damage that may have occurred during transit. If damaged, contact the manufacturer immediately.
- These instructions do not purport to cover all details or variations in equipment nor to provide every possible contingency to meet in connection with installation, operation, or maintenance. Should further information be desired or should particular problems arise which are not covered sufficiently for the purchaser's or owner's purposes, contact the manufacturer.

### **⚠ ADVERTENCIA**

- Antes de instalar, reparar o realizar el mantenimiento de rutina de este equipo, siga estas precauciones generales.
- Para reducir el riesgo de muerte, lesiones personales o daños a la propiedad por fuego, descarga eléctrica, caída de piezas, cortes / abrasiones y otros peligros, lea todas las advertencias y instrucciones incluidas con y en la caja del dispositivo y todas las etiquetas del dispositivo.
- Se requiere una conexión a tierra adecuada para garantizar la seguridad.
- Se debe apagar la energía en el disyuntor antes de la instalación o el mantenimiento.
- Este producto debe ser instalado de acuerdo con el código de instalación aplicable por una persona familiarizada con la construcción y operación del producto y los peligros involucrados.
- Utilice guantes y protección para los ojos en todo momento durante la instalación, el servicio o el mantenimiento de la luminaria, y evite la exposición directa de los ojos a la fuente de luz mientras está encendida.



## LED DIMMING DRIVER

### WARNING, CAUTION, SAFETY AND INSTALLATION INSTRUCTIONS

- Para evitar daños o abrasiones en el cableado, no exponga el cableado a bordes de láminas de metal u otros objetos afilados.
- No instale un producto dañado. Inspeccione la luminaria en busca de daños que puedan haber ocurrido durante el tránsito. Si está dañado, comuníquese con el fabricante de inmediato.
- Estas instrucciones no pretenden cubrir todos los detalles o variaciones en el equipo ni proporcionar todas las posibles contingencias a cumplir en relación con la instalación, operación o mantenimiento. Si desea obtener más información o si surgen problemas particulares que no están suficientemente cubiertos para los propósitos del comprador o propietario, comuníquese con el fabricante.