



LED Tape Light Channel – Surface Mount

DESCRIPTION

Create custom fixtures for your LED tape light with these surface mount channels and their compatible accessories.

FEATURES

- Comes with opaque lens
- Channel and lens can be cut to desired length
- Designed for LED tape light no wider than 15mm/0.59 in
- Requires additional accessories to complete installation; see Accessories section for full list of compatible accessories.

LISTINGS

- Indoor/dry locations
- RoHS

CONSTRUCTION

- Aluminum with either black or anodized finish
- Frosted PC lens protects the tape light while diffusing light output

INSTALLATION

- Surface mounts onto flat surfaces with mounting clips (sold separately); see Installation Instructions for more information.

WARRANTY

- 3-year limited warranty; see pltsolutions.com for warranty details

Project name	Type
Catalog number	
Comments	Voltage
Approved by	Date



RoHS 
Compliant

APPLICATIONS

- Display Cases
- Covers
- Under Cabinets
- Shelves
- Staircases

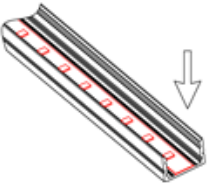
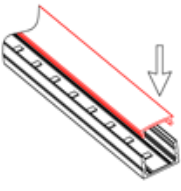
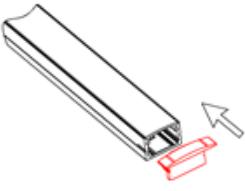
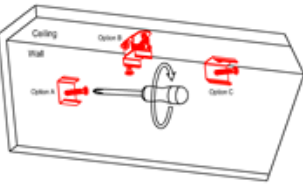
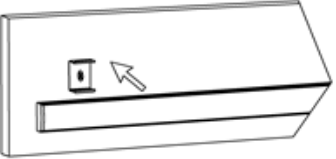

PERFORMANCE SUMMARY

Item #	Mounting	Beam Angle	Tape Light Max. Width	Finish	Length
PLT-12873	Recessed	100°	15mm	Black	6.6'
PLT-12874	Recessed	100°	15mm	Anodized	6.6'

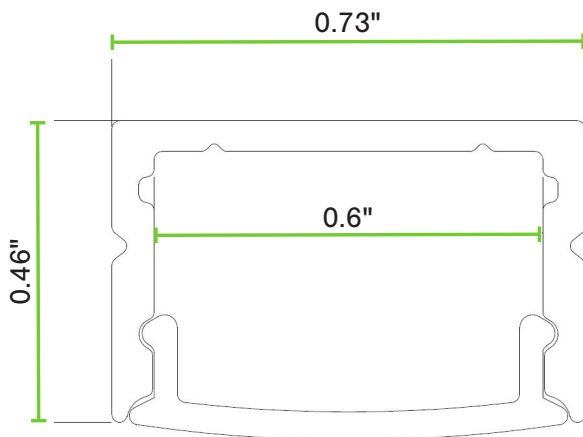
ACCESSORIES

SKU	Description	Compatible With
PLT-12875	End Cap – Grey – 2 Pack	PLT-12674
PLT-12876	End Cap – Black – 2 Pack	PLT-12873
PLT-12866	Metal Mounting Bracket	PLT-12862, PLT-12863, PLT-12873, PLT-12874, PLT-12877, PLT-12878
PLT-12867	45 Deg. Metal Mounting Bracket	PLT-12862, PLT-12863, PLT-12873, PLT-12874, PLT-12877, PLT-12878
PLT-12868	Adjustable Bracket with Mounting Clip	PLT-12862, PLT-12863, PLT-12873, PLT-12874, PLT-12877, PLT-12878

INSTALLATION

<p>1. Stick the LED strip to the channel.</p> 	<p>2. Press the diffused cover into place.</p> 	<p>3. Attach the end caps.</p> 
<p>4. Install the chosen mounting clips.</p> 	<p>5. Attach the fixture to the mounting clips.</p> 	<p>6. Installation complete.</p> 

DIMENSIONS



CHANNEL

Height – 0.46"

Width – 0.73"

Inner Channel Width – 0.60"

Length – 6.6'

Weight – 0.78 lbs