

LED DOWNLIGHT

Model No. DLC4S-10W205se

The Euri Lighting **DLC4S-10W205se** ultra-slim, 5CCT Selectable, recessed downlight is designed to give you the option between 2700K/3000K/3500K/4000K/5000K all conveniently in one downlight. Its spring-action clips allow for easy, hassle-free installation with no need for housing, reducing maintenance worries. At 600 Lumens and 10 Watts (60 Watt equivalent) input power, the 4" downlight has an average of 50,000 hours of life and is ENERGY STAR and JA8 certified. The **DLC4S-10W205se** is IC Rated, recessed and best suited for low residential ceilings working on AC 120V. Its edge-lit LED technology guarantees a long life of uniform light distribution.



60W

REPLACEMENT

- 10 Watts
- 5CCT Selectable
- Ultra Slim
- IC Rated
Abutted and Covered
- Dimmable
- Damp Rated
- No Housing Required

Electrical Specifications

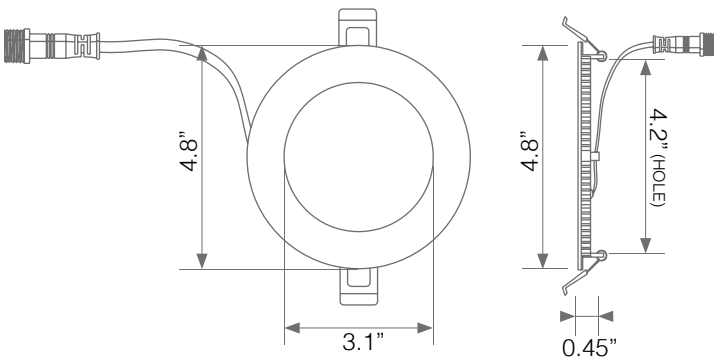
Model No.	Input Power	Input Voltage	Lumen Output	Beam Angle	Center Beam	CCT
DLC4S-10W205se	10 W	120 V	600 lm	120°	N/A	2700/3000/3500 4000/5000K

CRI	Luminous Efficacy	Power Factor	Input Current	Base	Lamp Lifespan	Estimated Yearly Cost
90+	65 lm/W	0.9	0.075 A	Junction Box	50,000 Hrs.	\$ 1.12

Mechanical Specifications

Rating	Operational Temperature	Inner Box QTY.	Master Box QTY.	Dimensions(in.)	UPC Code
Damp Rated	-4°F - 104°F	1 pc	12 pcs	4.8"(∅) x 0.45"(H)	811174036913

Product Dimensions



Product Photometric Data

