



# LED Tape Light Channel – Surface Mount

## DESCRIPTION

Create custom fixtures for your LED tape light with these surface mount channels and their compatible accessories.

## FEATURES

- Comes with opaque lens
- Channel and lens can be cut to desired length
- Designed for LED tape light no wider than 15mm/0.59 in
- Requires additional accessories to complete installation; see Accessories section for full list of compatible accessories.

## LISTINGS

- Indoor/dry locations
- RoHS

## CONSTRUCTION

- Aluminum with either black or anodized finish
- Frosted PC lens protects the tape light while diffusing light output

## INSTALLATION

- Surface mount to flat surfaces with mounting clips (sold separately); see Installation Instructions for more information.

## WARRANTY

- 3-year limited warranty; see [pltsolutions.com](http://pltsolutions.com) for warranty details

<b>Project name</b>	<b>Type</b>
<b>Catalog number</b>	
<b>Comments</b>	<b>Voltage</b>
<b>Approved by</b>	<b>Date</b>



## APPLICATIONS

- Display Cases
- Covers
- Under Cabinets
- Shelves
- Staircases

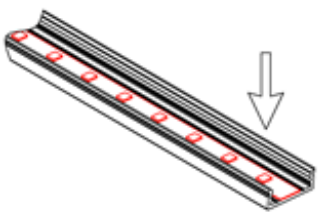
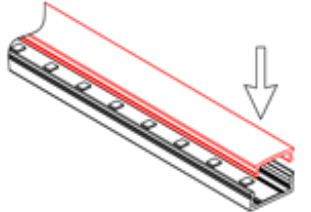
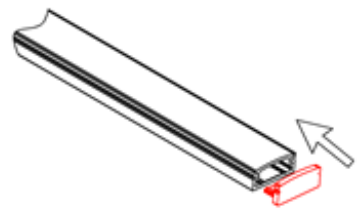
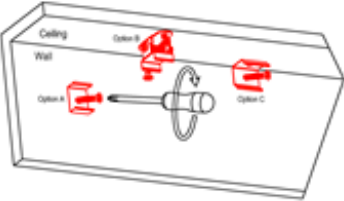
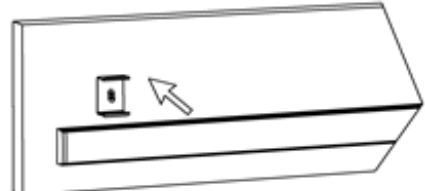

## PERFORMANCE SUMMARY

Item #	Mounting	Beam Angle	Tape Light Max. Width	Finish	Length
PLT-12862	Surface	100°	15mm	Black	6.6'
PLT-12863	Surface	100°	15mm	Anodized	6.6'

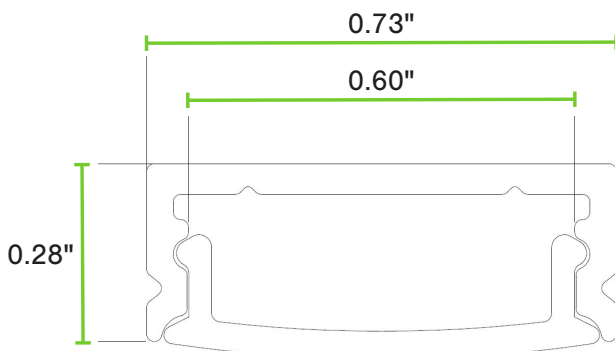
## ACCESSORIES

SKU	Description	Compatible With
PLT-12864	End Cap – Grey – 2 Pack	PLT-12863
PLT-12865	End Cap – Black – 2 Pack	PLT-12862
PLT-12866	Metal Mounting Bracket	PLT-12862, PLT-12863, PLT-12873, PLT-12874, PLT-12877, PLT-12878
PLT-12867	45 Deg. Metal Mounting Bracket	PLT-12862, PLT-12863, PLT-12873, PLT-12874, PLT-12877, PLT-12878
PLT-12868	Adjustable Bracket with Mounting Clip	PLT-12862, PLT-12863, PLT-12873, PLT-12874, PLT-12877, PLT-12878

## INSTALLATION

- Stick the LED strip to the channel.
 
- Press the diffused cover into place.
 
- Attach the end caps.
 
- Install the chosen mounting clips.
 
- Attach the fixture to the mounting clips.
 
- Installation complete.
 

## DIMENSIONS



### **CHANNEL**

Height – 0.28"

Width – 0.73"

Inner Channel Width – 0.60"

Length – 6.6'

Weight – 0.58 lbs