



# COLOR/WATTAGE SELECTABLE LED WRAPAROUND FIXTURE

## WARNING, CAUTION, SAFETY AND INSTALLATION INSTRUCTIONS

### WARNING

- Installation, service, and maintenance of luminaires should be performed by a qualified licensed electrician.
- Account for small parts and destroy packing material, as these may be hazardous to children.
- To prevent wiring damage, do not expose wiring to edges of sheet metal or any other sharp objects.
- Risk of burn. Disconnect power and allow fixture to cool before handling fixture.

### CAUTION

- All wiring connections should be capped with UL approved wire connectors.
- Do not create any new or alter any existing holes.
- Verify that supply voltage is correct by comparing it with the luminaire label information.
- Green ground screw provided in proper location. Do not relocate.
- Minimum 90° supply conductors.

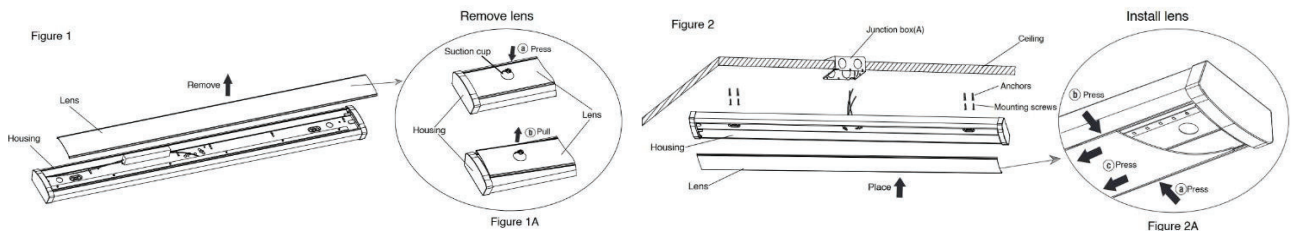
### NOTICE

- Specifications and dimensions are subject to change without notice.
- Suitable for dry or damp location.

## Installation Instructions

### Surface Mounting to Ceiling

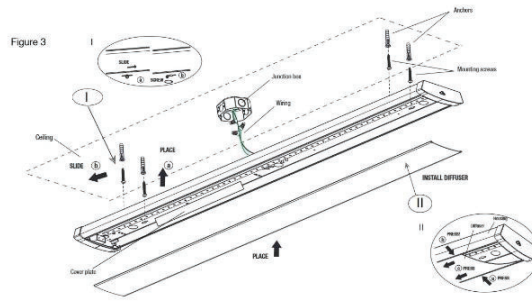
- Step 1. Remove the lens from the housing by using the provided suction cup. Press the suction cup near one end of the fixture to absorb one side of the lens. Pull the suction cup to detach the lens from the luminaire. (Figure 1A)
- Step 2. Use a screwdriver to punch out one of the knock out holes and pass the electrical cable out from the housing.
- Step 3. Use the luminaire as a template. Place it on the junction box and mark the four hole positions on the ceiling. Lay the luminaire aside and drill the four holes. Insert an anchor bolt into each hole and place the fixture in the desired location. Screw the four mounting screws into each anchor bolt, then connect the AC wires. (Figure 2)
- Step 4. Install the lens by starting at one end of the housing. Insert lens slot onto the edge of the housing. Carefully squeeze the lens to engage the opposite side with the housing. Continue this action down the length of the lens until fully installed onto the housing. (Figure 2A)
- Step 5. Turn on the luminaire.





# COLOR/WATTAGE SELECTABLE LED WRAPAROUND FIXTURE

## WARNING, CAUTION, SAFETY AND INSTALLATION INSTRUCTIONS



### Another mounting option

Step 1: Remove the lens from the housing by using the provided suction cup. (Fig.1A detail)

Step 2: Connect the AC wires.

Step 3: Hang the fixture by the screws on the edge of the junction box, then turn the fixture to align it to the junction box, and tighten the screws to securely attach the fixture to the junction box. (Figure 4)

Step 4: Reinstall the diffuser. (Fig.3A detail)

Step 5: Turn on the luminaire.

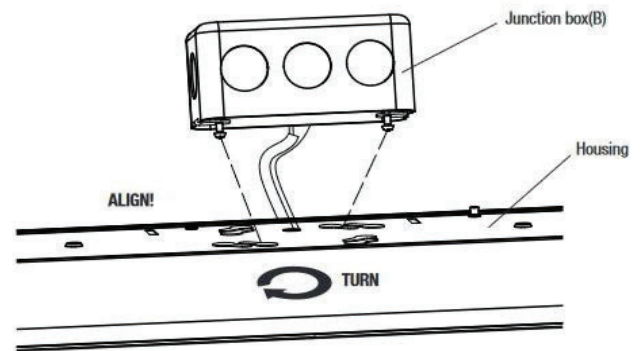
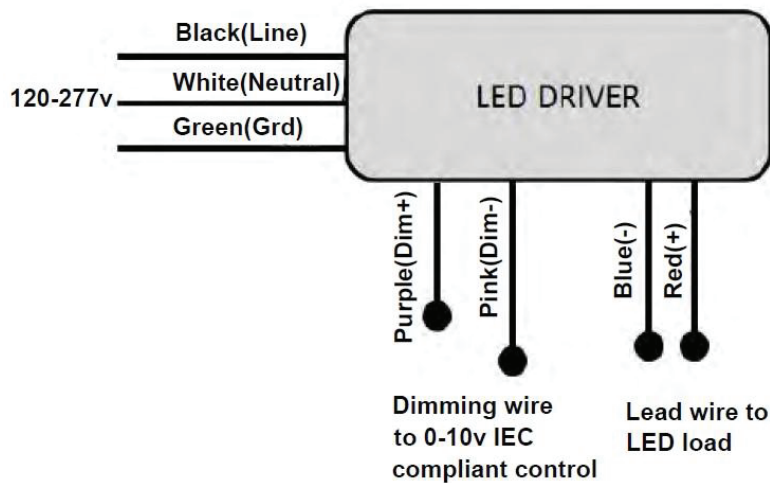


Figure 4

### General Wiring Diagram





## **⚠ WARNING**

- Before installing, servicing, or performing routine maintenance upon this equipment, follow these general precautions.
- To reduce the risk of death, personal injury, or property damage from fire, electric shock, falling parts, cuts/abrasions, and other hazards, read all warnings and instructions included with and on the fixture box and all fixture labels.
- Proper grounding is required to ensure safety.
- Power must be turned off at the breaker before installation or maintenance.
- This product must be installed in accordance with the applicable installation code by a person familiar with the construction and operation of the product and the hazards involved.
- Wear gloves and eye protection at all times while installing, servicing, or performing maintenance on the luminaire, and avoid direct eye exposure to the light source while it is on.
- To prevent wiring damage or abrasion, do not expose wiring to edges of sheet metal or other sharp objects.
- Do not install damaged product. Inspect luminaire for damage that may have occurred during transit. If damaged, contact the manufacturer immediately.
- These instructions do not purport to cover all details or variations in equipment nor to provide every possible contingency to meet in connection with installation, operation, or maintenance. Should further information be desired or should particular problems arise which are not covered sufficiently for the purchaser's or owner's purposes, contact the manufacturer.

## **⚠ ADVERTENCIA**

- Antes de instalar, reparar o realizar el mantenimiento de rutina de este equipo, siga estas precauciones generales.
- Para reducir el riesgo de muerte, lesiones personales o daños a la propiedad por fuego, descarga eléctrica, caída de piezas, cortes / abrasiones y otros peligros, lea todas las advertencias y instrucciones incluidas con y en la caja del dispositivo y todas las etiquetas del dispositivo.
- Se requiere una conexión a tierra adecuada para garantizar la seguridad.
- Se debe apagar la energía en el disyuntor antes de la instalación o el mantenimiento.
- Este producto debe ser instalado de acuerdo con el código de instalación aplicable por una persona familiarizada con la construcción y operación del producto y los peligros involucrados.
- Utilice guantes y protección para los ojos en todo momento durante la instalación, el servicio o el mantenimiento de la luminaria, y evite la exposición directa de los ojos a la fuente de luz mientras está encendida.
- Para evitar daños o abrasiones en el cableado, no exponga el cableado a bordes de láminas de metal u otros objetos afilados.
- No instale un producto dañado. Inspeccione la luminaria en busca de daños que puedan haber ocurrido durante el tránsito. Si está dañado, comuníquese con el fabricante de inmediato.
- Estas instrucciones no pretenden cubrir todos los detalles o variaciones en el equipo ni proporcionar todas las posibles contingencias a cumplir en relación con la instalación, operación o mantenimiento. Si desea obtener más información o si surgen problemas particulares que no están suficientemente cubiertos para los propósitos del comprador o propietario, comuníquese con el fabricante.