



SELECTABLE LED WRAPAROUND FIXTURE

WARNING, CAUTION, SAFETY AND INSTALLATION INSTRUCTIONS

WARNING

- Installation, service, and maintenance of luminaires should be performed by a qualified licensed electrician.
- Avoid direct eye exposure to the light source while the luminaire is on.
- Account for small parts and destroy packing material, as these may be hazardous to children.
- Risk of burn. Disconnect power and allow the fixture to cool before maintenance or handling.

CAUTION

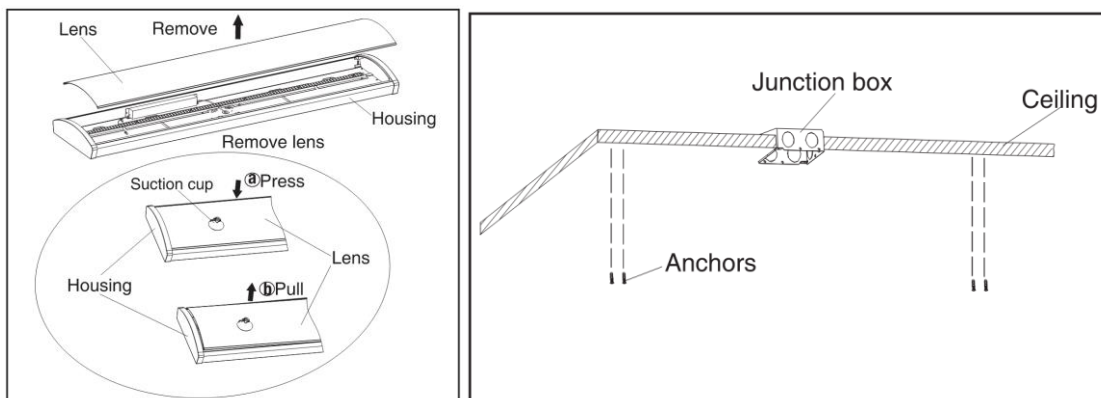
- Do not alter or create any new holes in the wiring enclosure.
- Verify the supply voltage is correct by comparing it with the luminaire label information.
- All wiring connections should be capped with UL approved wire connectors.
- The green ground screw is in the proper location. Do not relocate.
- Minimum 90°C supply conductors.

NOTICE

- Specifications and dimensions subject to change without notice.
- Suitable for damp and dry locations.

Installation Instructions

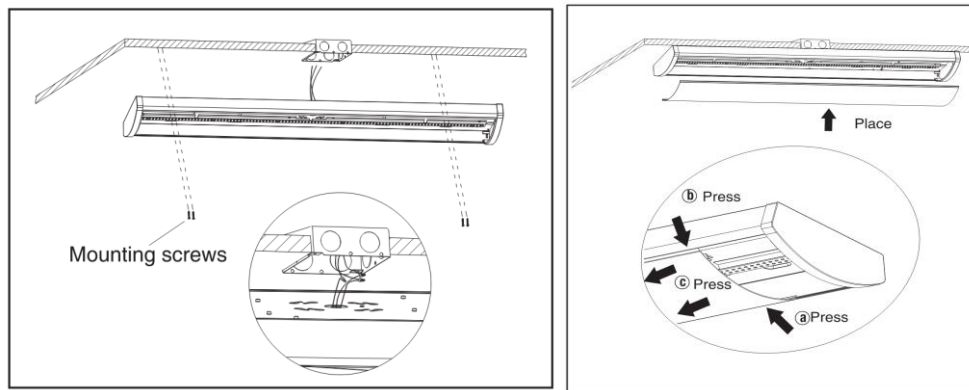
- Remove the lens from the housing using the provided suction cup. Press the suction cup on one end of the lens to absorb the lens. Pull the suction cup to detach the lens from the housing.
- Use the luminaire as a template by placing it on the junction box and mark the four mounting hole positions on the ceiling. Lay the luminaire aside and drill the four holes. Insert one of the provided anchors into each hole.
- With the help of an assistant, make the necessary electrical connections and then secure the fixture to the ceiling using the four provided screws.
- Select the desired wattage and CCT. See the Field-Adjustable Wattage and CCT section.
- Install the lens by starting at one end of the housing. Insert the lens slot onto the edge of the housing and carefully squeeze the lens to engage the opposite side of the lens with the housing. Continue this action down the length of the lens until the lens is fully installed onto the housing.
- Turn on the luminaire to verify proper operation.



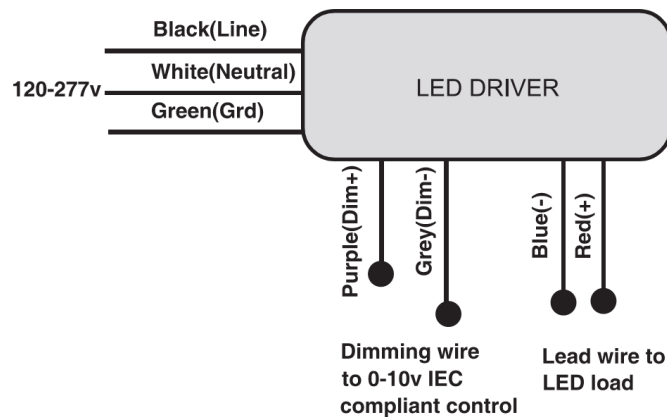


SELECTABLE LED WRAPAROUND FIXTURE

WARNING, CAUTION, SAFETY AND INSTALLATION INSTRUCTIONS

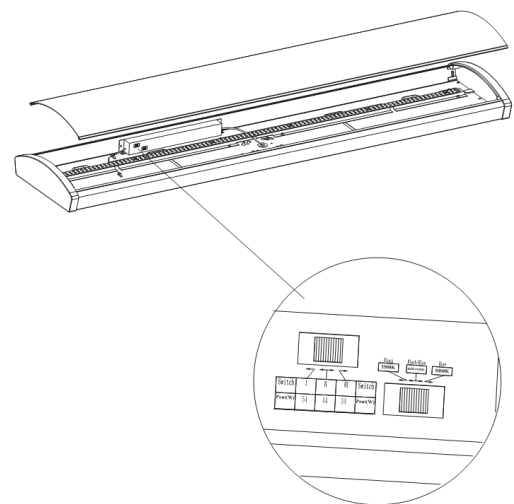


Wiring Diagram



Field-Adjustable Wattage and CCT

- The end user may adjust the lumen output (wattage) and color temperature (CCT) by the two DIP switch buttons located on the top of the driver.
- Each DIP switch is accommodated with 3 options (left, middle, right), corresponding to 3 wattages and 3 color temperatures respectively, which can perform the desired lumen output and color temperature combination.
- Select a wattage and color temperature by sliding the switch left or right respectively to the desired setting.





⚠ WARNING

- Before installing, servicing, or performing routine maintenance upon this equipment, follow these general precautions.
- To reduce the risk of death, personal injury, or property damage from fire, electric shock, falling parts, cuts/abrasions, and other hazards, read all warnings and instructions included with and on the fixture box and all fixture labels.
- Proper grounding is required to ensure safety.
- Power must be turned off at the breaker before installation or maintenance.
- This product must be installed in accordance with the applicable installation code by a person familiar with the construction and operation of the product and the hazards involved.
- Wear gloves and eye protection at all times while installing, servicing, or performing maintenance on the luminaire, and avoid direct eye exposure to the light source while it is on.
- To prevent wiring damage or abrasion, do not expose wiring to edges of sheet metal or other sharp objects.
- Do not install damaged product. Inspect luminaire for damage that may have occurred during transit. If damaged, contact the manufacturer immediately.
- These instructions do not purport to cover all details or variations in equipment nor to provide every possible contingency to meet in connection with installation, operation, or maintenance. Should further information be desired or should particular problems arise which are not covered sufficiently for the purchaser's or owner's purposes, contact the manufacturer.

⚠ ADVERTENCIA

- Antes de instalar, reparar o realizar el mantenimiento de rutina de este equipo, siga estas precauciones generales.
- Para reducir el riesgo de muerte, lesiones personales o daños a la propiedad por fuego, descarga eléctrica, caída de piezas, cortes / abrasiones y otros peligros, lea todas las advertencias y instrucciones incluidas con y en la caja del dispositivo y todas las etiquetas del dispositivo.
- Se requiere una conexión a tierra adecuada para garantizar la seguridad.
- Se debe apagar la energía en el disyuntor antes de la instalación o el mantenimiento.
- Este producto debe ser instalado de acuerdo con el código de instalación aplicable por una persona familiarizada con la construcción y operación del producto y los peligros involucrados.
- Utilice guantes y protección para los ojos en todo momento durante la instalación, el servicio o el mantenimiento de la luminaria, y evite la exposición directa de los ojos a la fuente de luz mientras está encendida.
- Para evitar daños o abrasiones en el cableado, no exponga el cableado a bordes de láminas de metal u otros objetos afilados.
- No instale un producto dañado. Inspeccione la luminaria en busca de daños que puedan haber ocurrido durante el tránsito. Si está dañado, comuníquese con el fabricante de inmediato.
- Estas instrucciones no pretenden cubrir todos los detalles o variaciones en el equipo ni proporcionar todas las posibles contingencias a cumplir en relación con la instalación, operación o mantenimiento. Si desea obtener más información o si surgen problemas particulares que no están suficientemente cubiertos para los propósitos del comprador o propietario, comuníquese con el fabricante.